

THIS COPY IS PROVIDED ON A RESTRICTED BASIS AND IS NOT TO BE USED IN ANY WAY DETRIMENTAL TO THE INTERESTS OF PANDUIT CORP.

PANDUIT PART NUMBER PREFIX	WIRE SIZE AWG	DIMENSIONS in.		
		A ±.02	B DIA. ±.01	C ±.01
BS18	22-18	.62 (15.7)	.14 (3.6)	.032 (0.81)
BS14	16-14	.62 (15.7)	.16 (4.1)	.032 (0.81)
BS10	12-10	.63 (16.0)	.22 (5.6)	.040 (1.02)

NOTES:

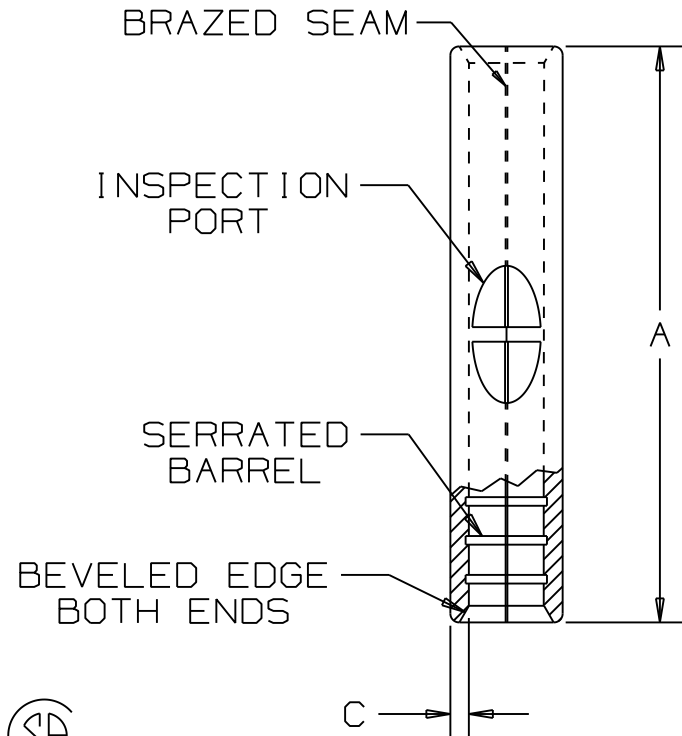
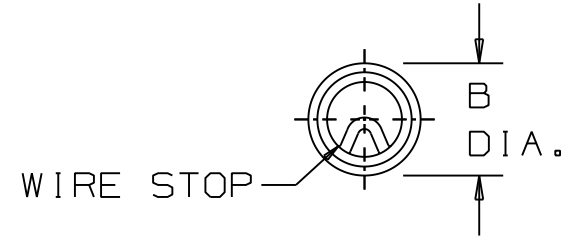
- UL LISTED AND CSA CERTIFIED FOR:
 - SOLID OR STRANDED COPPER WIRE
 - 302° F (150° C) MAX. TEMP. RATING
- MATERIAL:
 - STAMPING - COPPER, TIN PLATED
- See www.panduit.com FOR PART NUMBER SUFFIX DESIGNATION FOR PACKAGE SIZE.
- DIMENSIONS IN BRACKETS ARE IN MILLIMETERS
- INSTALLATION TOOLS:
 - UL LISTED AND CSA CERTIFIED:
CT-100, CT-100A, CT-200, CT-570, CT-600A,
CT-1570, CT-1701, CT-2500
 - PANDUIT APPROVED: CT-160, CT-260
- WIRE STRIP LENGTH: $9/32^{+1/32}_{-0}$ (7.1 $^{+.8}_{-0}$)



LISTED
587H
E52164



CERTIFIED
LR31212



PANDUIT CORP.

TINLEY PARK, ILLINOIS

NON-INSULATED BUTT SPLICE

REV	DATE	BY	CHK	DESCRIPTION
07	8-11	SHOR		MODIFIED NOTE #3
06	4-11	SB		ADDED CT-2500, CT-600A, CT1701 TOOLS. ADDED NOTE #3

DRAWN BY DAW	CHK'D	SCALE NONE	DRAWING NO. A41338
-----------------	-------	---------------	-----------------------