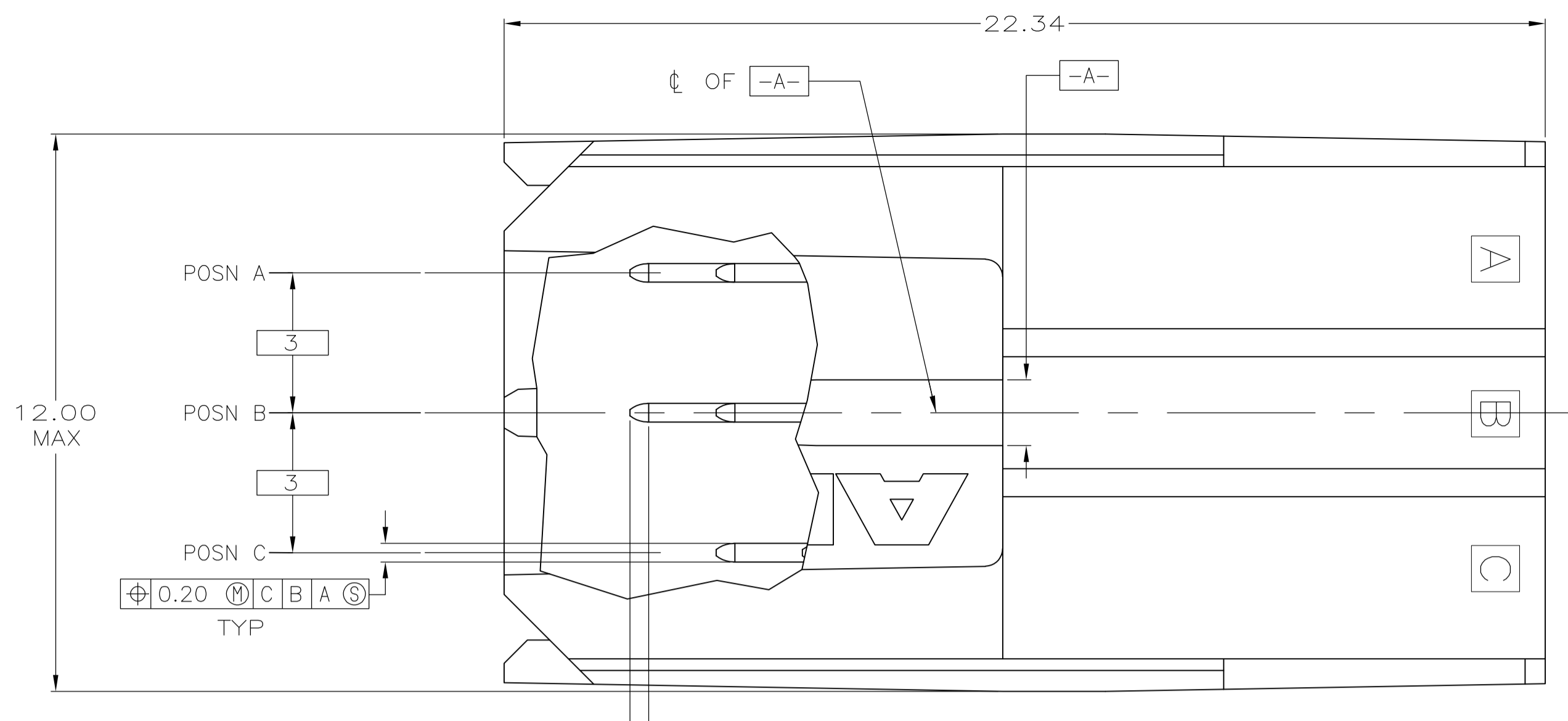
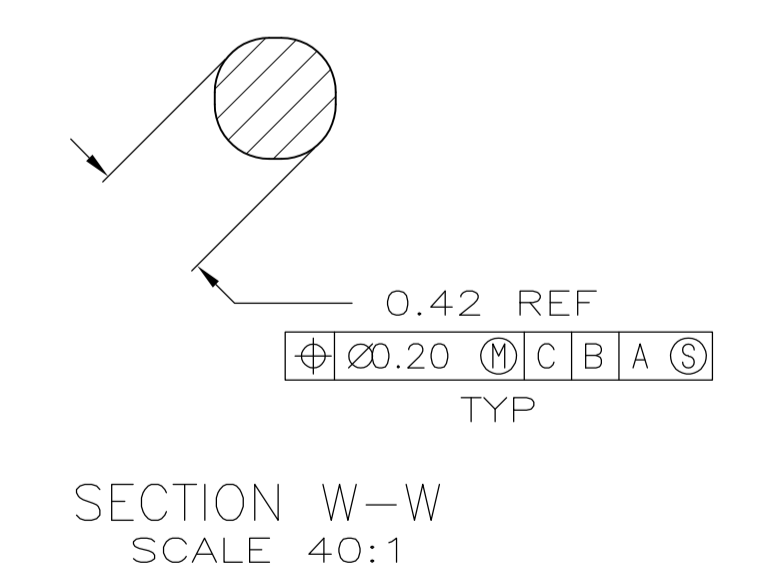
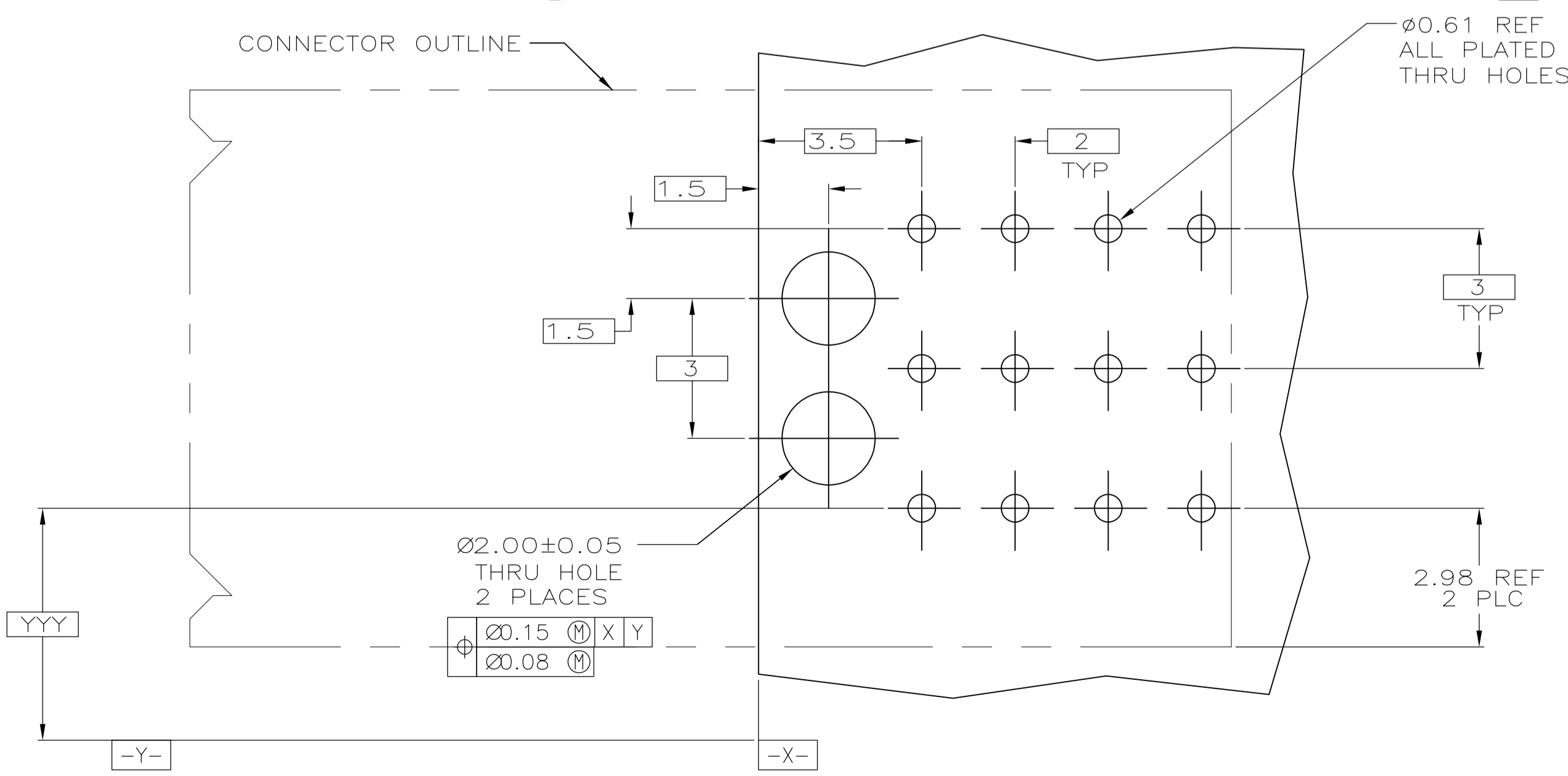
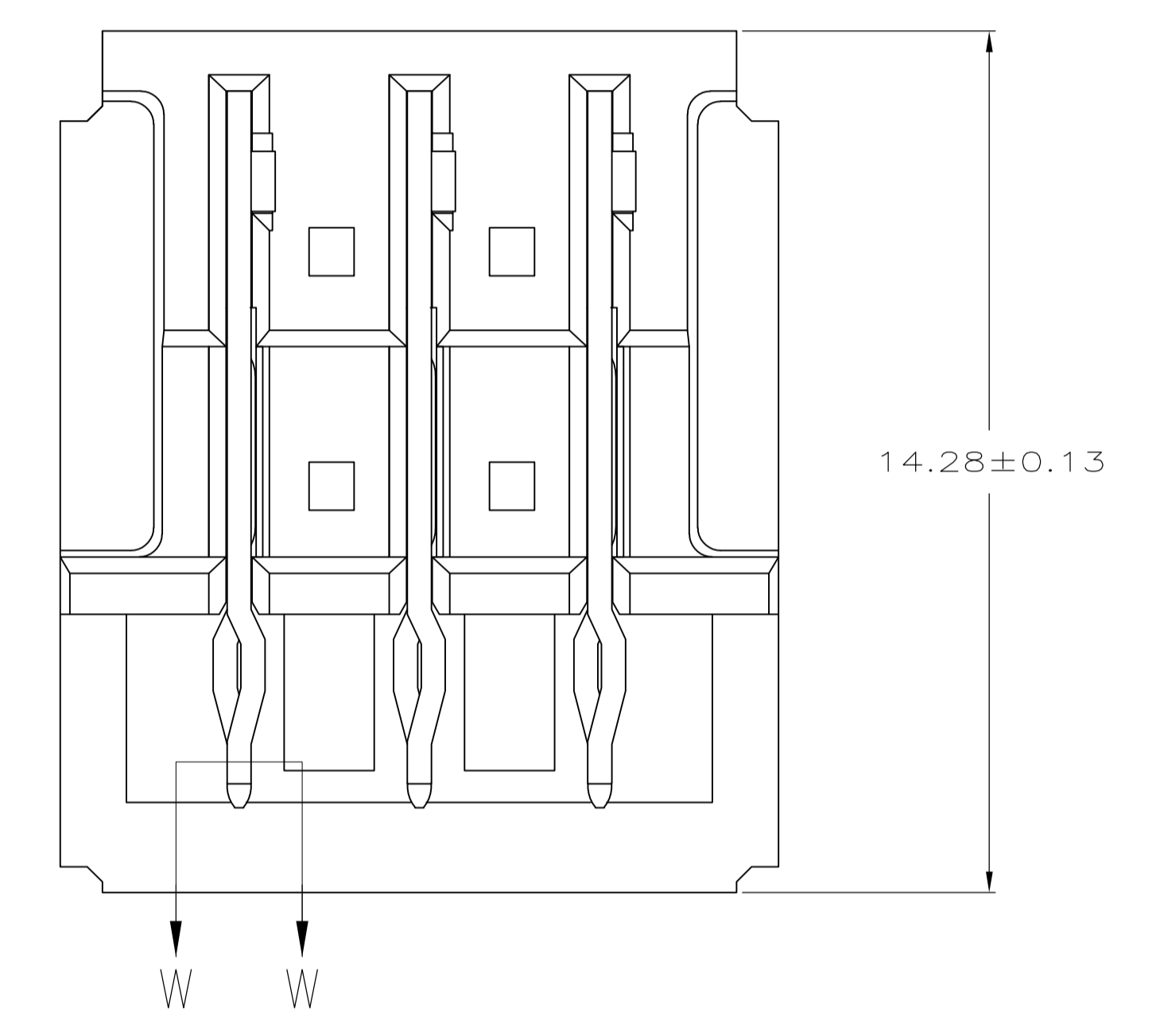
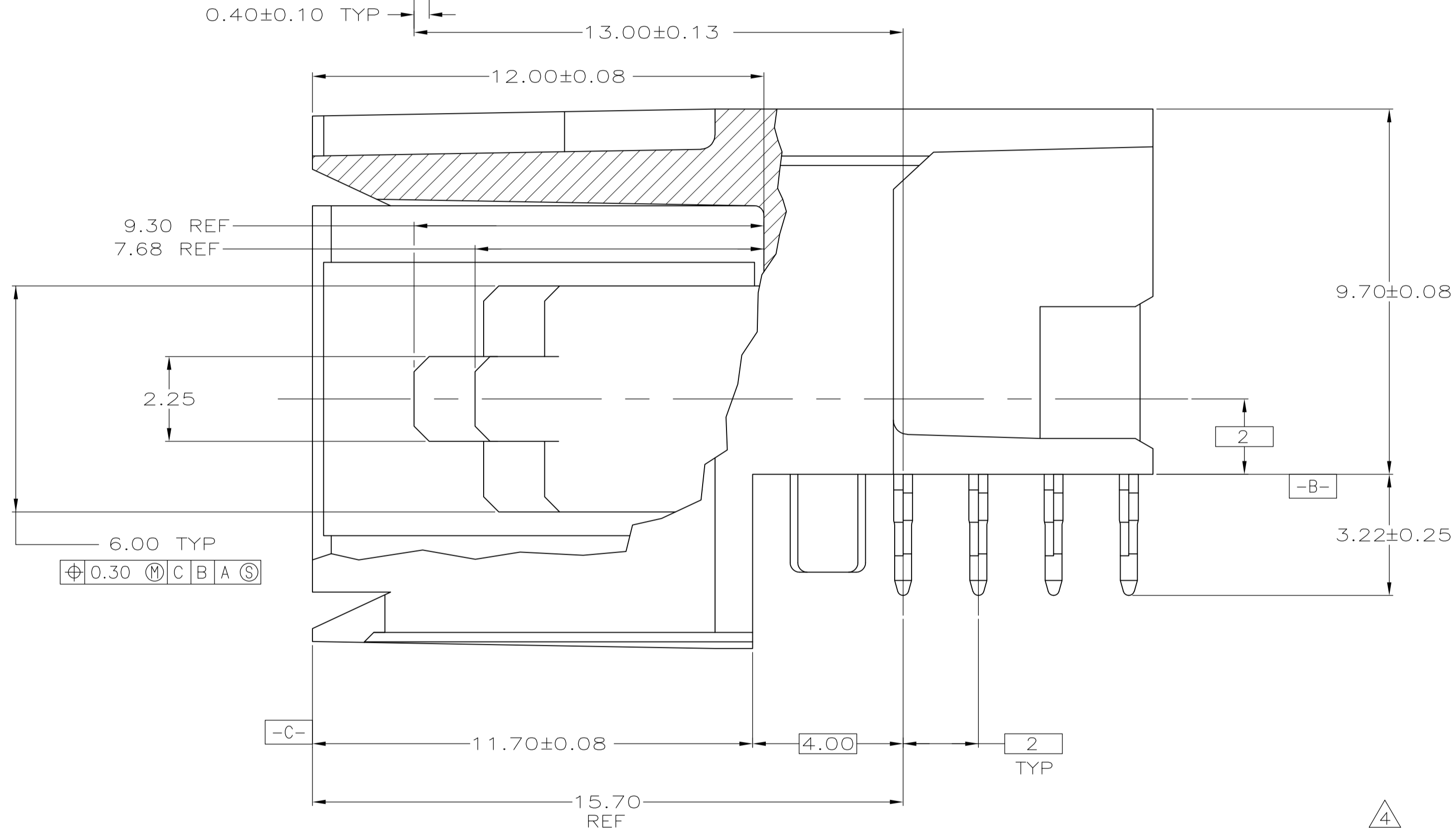
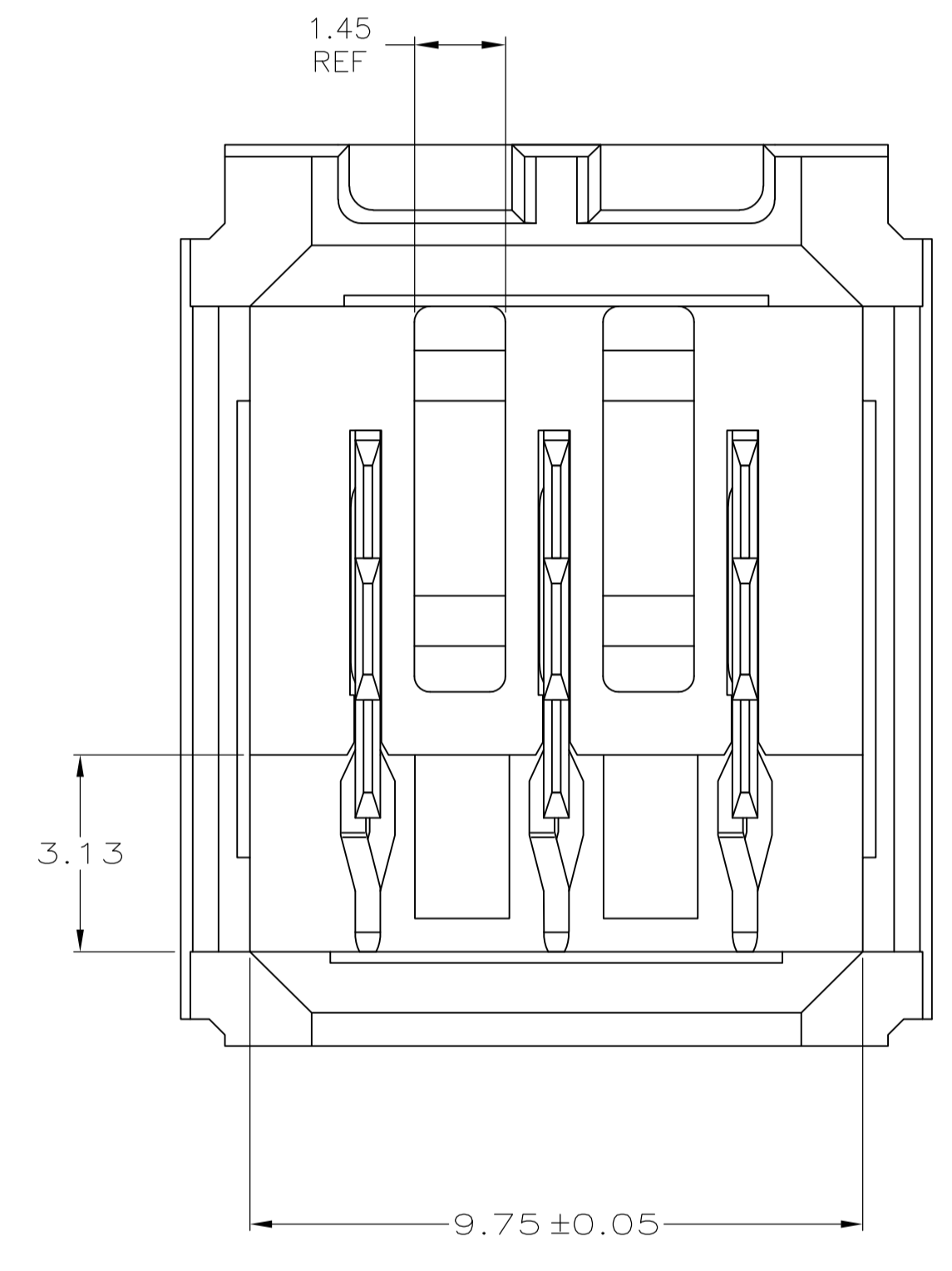


LOC		DIST		REVISIONS			
AD	00	REV	DATE	BY	APPV	DATE	BY
C		REVISED PER ECO-11-000045	05JAN11	DH	DY		



- 1 MATERIAL: HOUSING: POLYESTER. COLOR: GRAY. UL 94V-0. CONTACT: PHOSPHOR BRONZE.
- 2 FINISH: CONTACT MATING AREA: 1.27µm MIN GOLD OR 0.08µm MIN GOLD OVER 0.76µm MIN PALLADIUM-NICKEL. ACTION PIN AREA: 0.5µm MIN TIN PLATE, ALL OVER 1.27µm MIN NICKEL UNDERPLATE.
- 3 FINISH: CONTACT LUBRICATION WITH BELLCORE APPROVED LUBRICANT. TECHNICAL REFERENCE: TR-NWT-001217 ISSUE 1, SEPT 1992.
- 4 REFERENCE APPLICATION SPEC 114-1103 FOR RECOMMENDED PLATED THRU HOLE DIAMETER AND PLATING THICKNESS.
- 5 CURRENT RATING 10A/CONTACT PER PRODUCT SPEC 108-1651.



RECOMMENDED PCB HOLE LAYOUT

5223981-1  
PART NUMBER

THIS DRAWING IS A CONTROLLED DOCUMENT.		DIN B CARDO 130EC04	Tyco Electronics Corporation Harrisburg, Pa 17105-3608	
DIMENSIONS: mm		CHK R PATTERSON 130EC04	NAME R PATTERSON 130EC04	
TOLERANCES UNLESS OTHERWISE SPECIFIED:		PRODUCT SPEC		
0 PLC	± -	APPLICATION SPEC		
1 PLC	± 0.13	SIZE CASE CODE DRAWING NO		
2 PLC	± 0.13	A1 00779 C=5223981		
3 PLC	± -	WEIGHT		
4 PLC	± -	CUSTOMER DRAWING		
ANGLES	± -	SCALE 10:1 SHEET 1 OF 1 REV C		