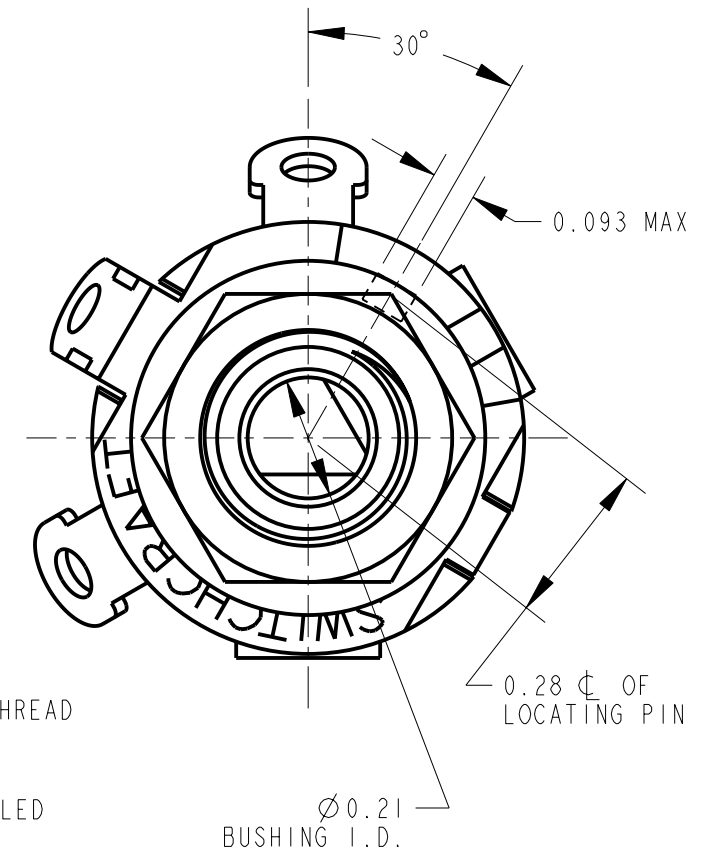
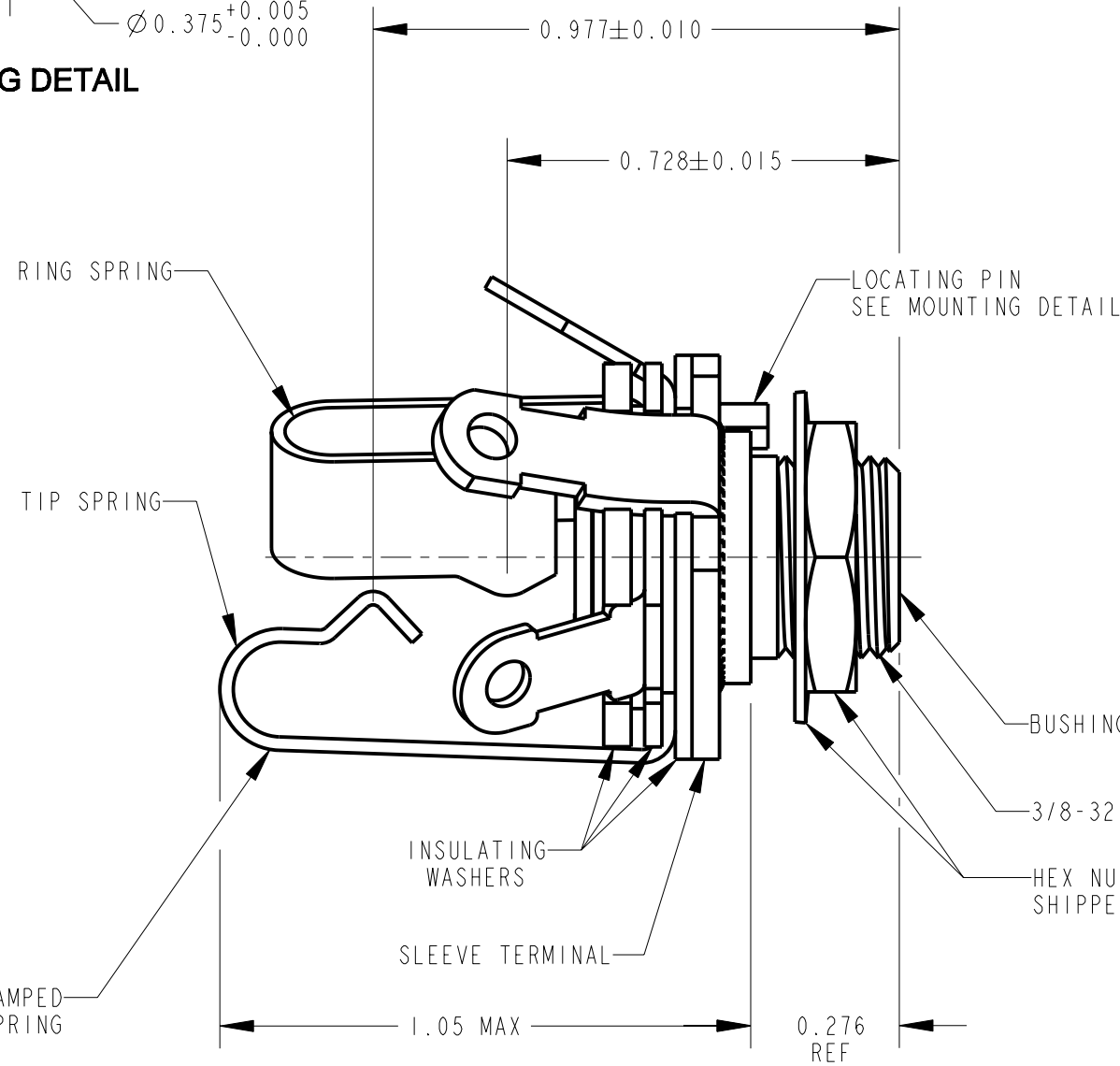
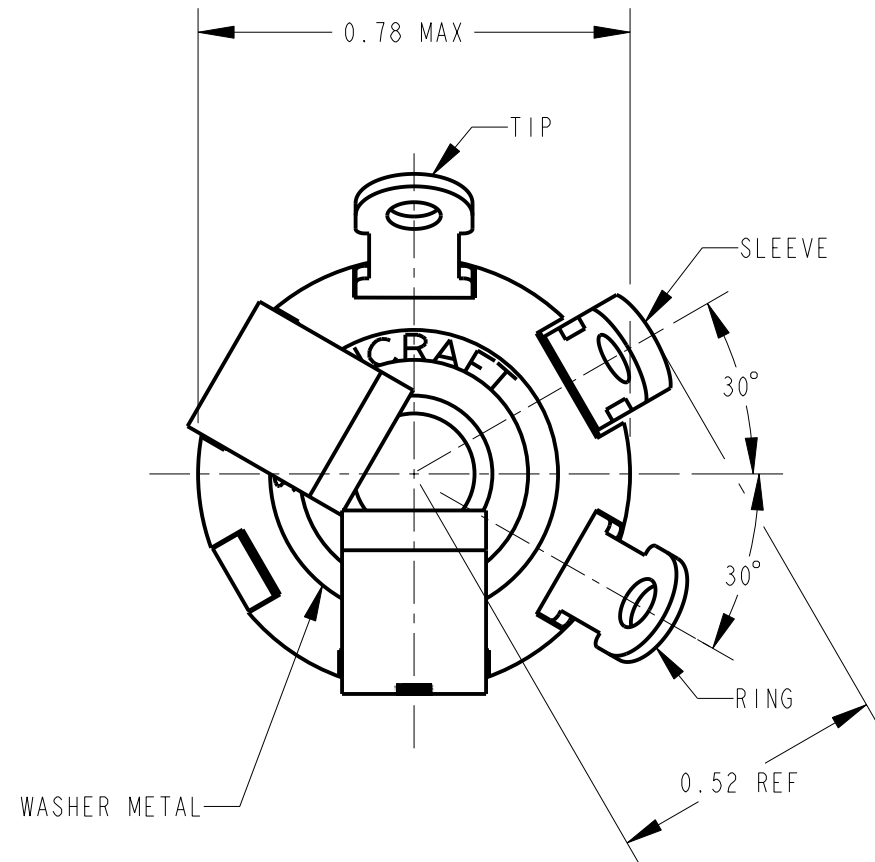
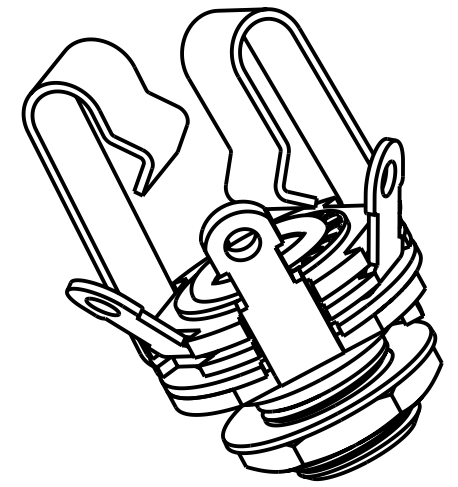


MOUNTING DETAIL



CUSTOMER DRAWING

NOTES:

1. ALL PARTS ARE MECHANICALLY INTERLOCKED
2. MEETS MIL-J-641/5-1 STANDARD.
3. MATERIALS:
 BUSHING - BRASS, NICKEL PLATED
 SLEEVE TERMINAL - BRASS, NICKEL PLATED
 TIP & RING SPRINGS - SPECIAL COPPER ALLOY
 INSULATING WASHERS - PHENOLIC
 METAL WASHER - BRASS, NICKEL PLATED
 HARDWARE - BRASS, NICKEL PLATED
 TERMINALS ARE TIN DIPPED

REV	ECO NUMBER	DATE	BY	APVD
C	22586	4-21-10	TJK	TJK
REVISIONS				

★ STAR SYMBOL DENOTES CRITICAL DIMENSION

UNLESS OTHERWISE SPECIFIED

1. ALL DIMENSIONS IN INCHES
 - TWO PLACE DECIMALS ± 0.01
 - THREE PLACE DECIMALS ± 0.005
 - ANGLES $\pm 1^\circ$
 - ALL DIA. CONCENTRIC WITHIN 0.005 T.I.R.
2. FEATURES ON THE SAME CENTERLINE MUST BE ALIGNED WITHIN ± 0.002
3. REMOVE ALL BURRS

DO NOT SCALE DRAWING

THIS DRAWING DESCRIBES A DESIGN CONSIDERED PROPRIETARY IN NATURE, DEVELOPED AND MANUFACTURED BY SWITCHCRAFT INC. AND IS RELEASED ON A CONFIDENTIAL BASIS FOR IDENTIFICATION PURPOSES ONLY.

SIZE	WIDTH	MULT	LBS/M	TEMPER
FINISH				
SPEC No.			MATERIAL SPEC No.	
FIRST USED ON		SCALE 3:1		
DATE DRAWN	BY	CHKD	APVD	
21-Apr-10	TJK	TJK	TJK	
		4-21-10	4-21-10	
NAME				PART No.
LITTEL JAX FOR PJ-068 PLUG				C12B
				REV C

Switchcraft

SHEET 1 OF 1