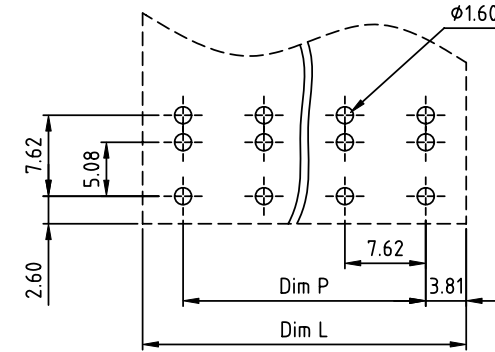
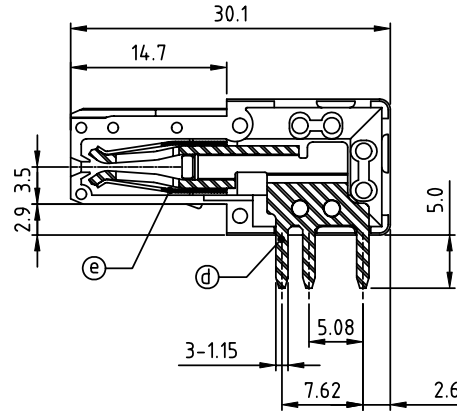
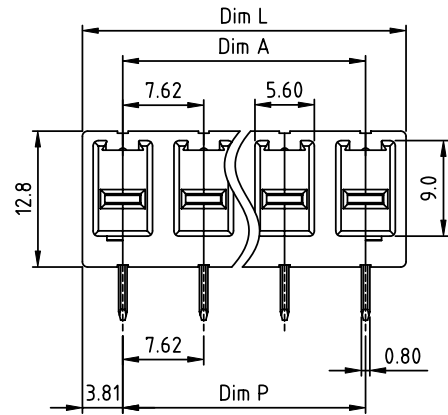
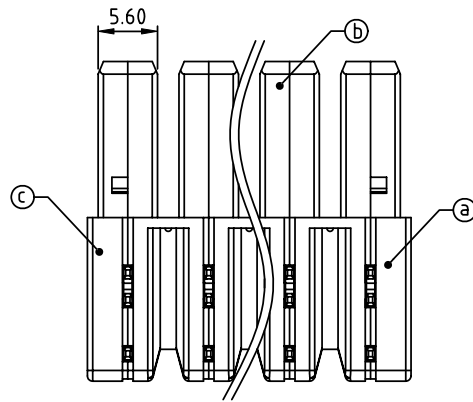


PRODUCT NUMBER	PITCH
KSxx01x200J0G	7.62 mm



RECOMMENDED P.C.B LAYOUT
TOP VIEW



Material:

- Item ① Left Cover :Thermoplastic (UL94 - V0)
- Item ② Middel Body :Thermoplastic (UL94 - V0)
- Item ③ Right Cover :Thermoplastic (UL94 - V0)
- Item ④ Pin: Copper Tin plated
- Item ⑤ Wire guard:Stainless Steel

Electrical: cULus

- Voltage rating:300V
- Current rating:41A
- Withstanding Voltage:1.6 KV
- Operating temperature:-40°C to +115°C
- Soldering temperature:260°C±5°C/5 Sec
- Safety Approval:

N=Number of poles

Dim L	$N \times 7.62$
Dim P	$(N-1) \times 7.62$
Dim A	$(N-1) \times 7.62$

Dimension

Poles	Tolerance
2P-5P	±0.20
6P-8P	±0.30
9P-12P	±0.35
13P-16P	±0.40

PART NO.: **KSxx01x200J0G**

End stackable	0	Color	Black (RAL9005)	RoHS compliant	(lead<4%)
No. of poles	2		Red (RAL3001/D)	In copper Alloy	
	02		3 poles		
	03		4		
	...		5		
	16		6		
			8		
			9		
			C		

mat'l. code		surface ASME Y14.5	tolerance ASME Y14.5	projection	product family
ltr	ecn no	dr	date		TERMINAL BLOCK
				tolerances unless otherwise specified	title
				angles	TERMINAL BLOCK
				$X \pm 0.5$	PLUGGABLE PLUG, WITH SOLDER PIN
				$X.X \pm 0.3$	RIGHT ANGLE, MOUNTING ONTO THE PCB
				$X \pm 1^*$	scale
				$X.XX \pm 0.1$	MM
				dr	scale
				ENGR	FCI
				ENGR	dwg no
				CHR	sheet 1 of 1
				APPD	size
				SHI JUN	A4
					type
					CUSTOMER Drawing
sheet index	revision	A			
	sheet	1			