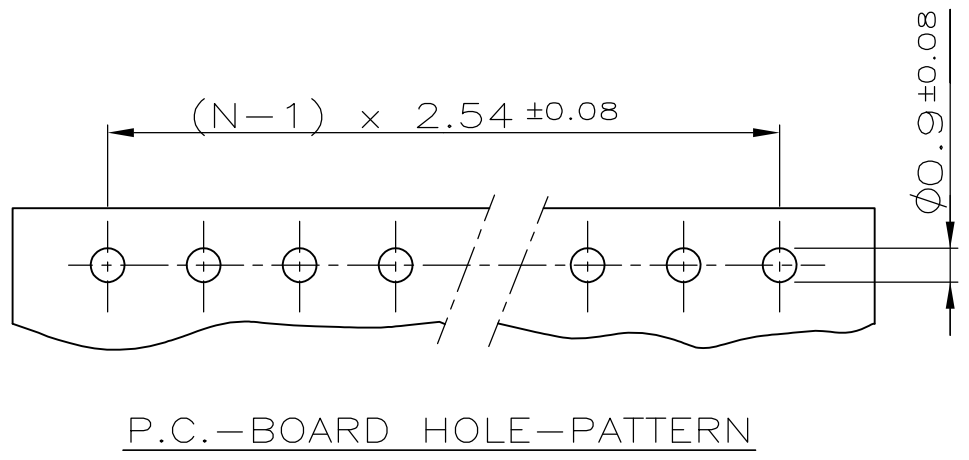
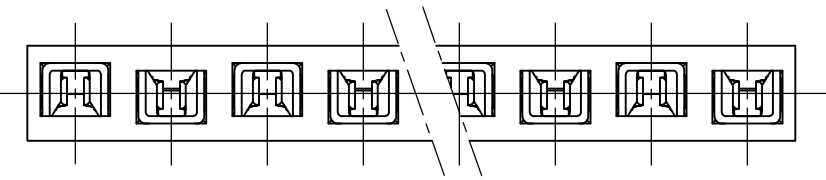
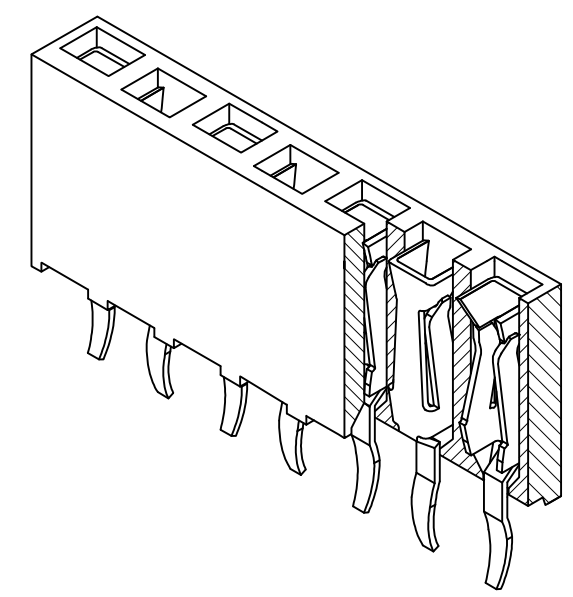
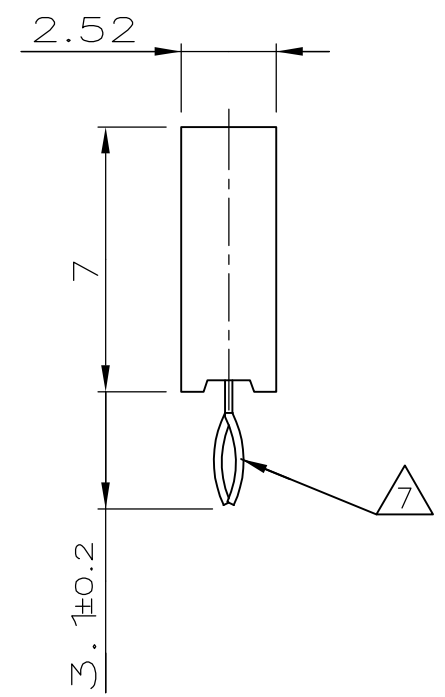
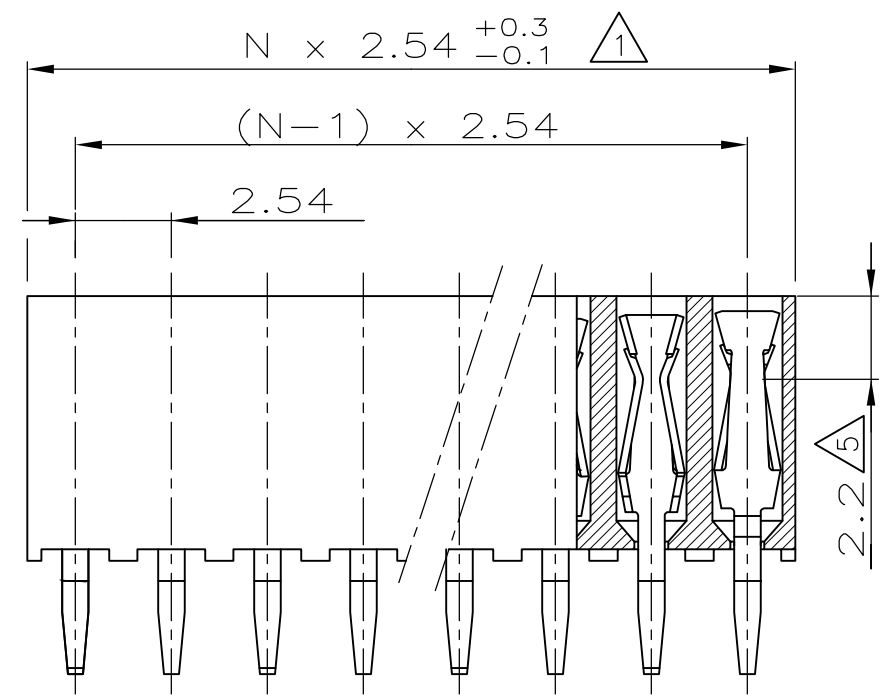


NOTES:

- 1. TO DETERMINE DIMENSIONS TAKE N = NR. OF POS.
FOR EXAMPLE: 10 POS.: N x 2,54 = 25,4 mm.
FOR ORDERNR. USE BASIC NR. + NR. OF POS.
FOR EXAMPLE: 2 POS.= 215 297-2 (SHORTEST VERSION)
36 POS.= 3-215 297-6 (LONGEST VERSION)
- 2. HOUSING MATERIAL: GREEN GLASSFILLED POLYESTER, UL 94V-0
CONTACT MATERIAL: PHOSPHORBRONZE.
- 3. PLATING: UNDERCOATING: 1,3µm Ni.
AT CONT.PLACE: 0,8µm Au.
AT SOLDER-TYNES: MIN. 2,5µm Sn
- 4. MATES WITH 0,63 SQUARE/ROUND MODU POSTS.
- 5. CONTACT-POINT.
- 6. RECOMMENDED P.C.BOARD-THICKNESS: 1,6.
- 7. RETENTION FEATURE.
- 8. HV100 CONNECTOR PACKED IN ANTISTATIC BLISTER



VERWENDET FÜR E 92-9803	SEE NOTES FINISH	SEE NOTES MATERIAL	SEE NOTES PARTNUMBER
----------------------------	---------------------	-----------------------	-------------------------

THIS DRAWING IS A CONTROLLED DOCUMENT.		DWN R.VISSER 08.05.87	 TE Connectivity		
DIMENSIONS: mm		CHK W.SIMONS			NAME
 TOLERANCES UNLESS OTHERWISE SPECIFIED: 0 PLC ± - 1 PLC ± - 2 PLC ± 0.1 3 PLC ± - 4 PLC ± - ANGLES ± -		APVD L.v.SOEST			HV 100 VERTICAL CONNECTOR SINGLE ROW, 7,0mm HEIGHT, TOP ENTRY, GOLD, MAX. 36 POSITIONS.
		PRODUCT SPEC			RESTRICTED TO
MATERIAL		FINISH	APPLICATION SPEC	SIZE A3	
			WEIGHT	CAGE CODE 00779	
				DRAWING NO C-215297	
CUSTOMER DRAWING			SCALE 5:1	SHEET 1 OF 1	
			REV C2		