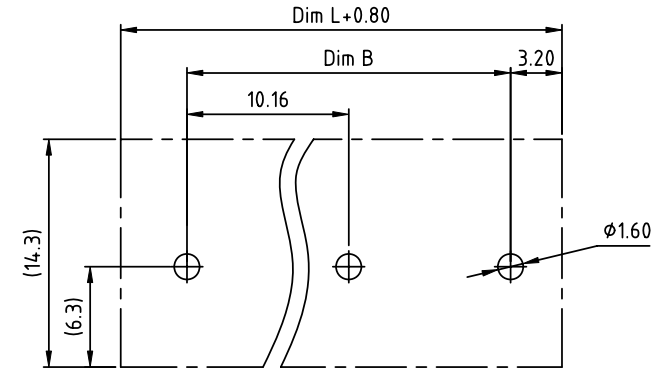
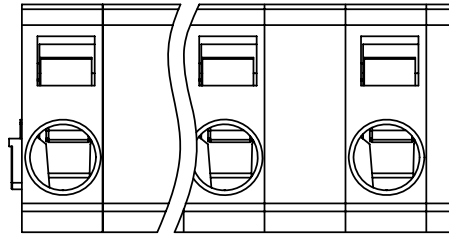
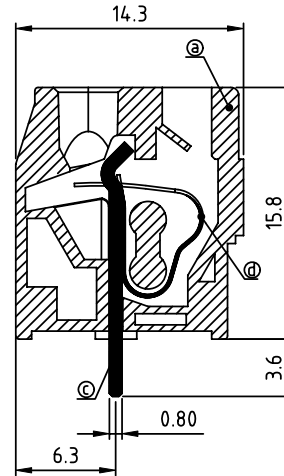
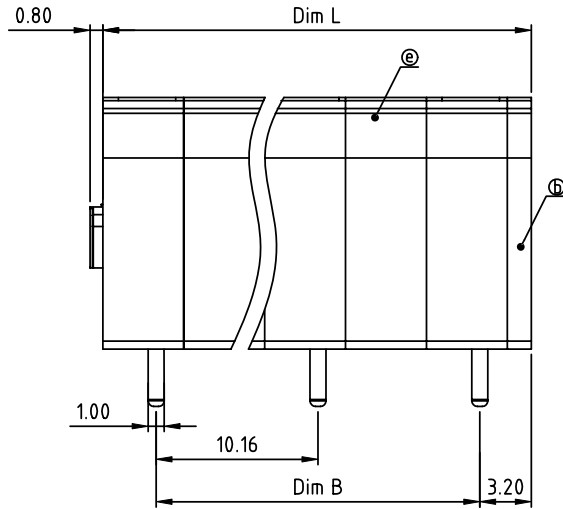


PRODUCT NUMBER	PITCH
HMxx60x000JOG	10.16mm



RECOMMENDED P.C.B LAYOUT
TOP VIEW



Material:

- Item@Insulator body: Thermoplastic (UL94V-0)
- ItemⓄInsulating cover: Thermoplastic (UL94V-0)
- ItemⓄContact pin: Brass.Tin plated
- ItemⓄWire guard: Stainless steel
- ItemⓄPad board: Thermoplastic (UL94V-0)

Electrical:

- Voltage rating: 250V
- Current rating: 8A
- Wire range:
- Solid wire(AWG): 12-28
- Stranded wire(AWG): 12-28
- Wire strip length: 8-9mm
- Withstanding Voltage: 1.5KV
- Operating temperature: -40°C to +115°C
- Soldering temperature: 260°C±5°C/5 Sec
- Safety Approval:

N=Number of poles
Dim L=(N-1)×10.16+6.58
Dim B=(N-1)×10.16

Poles	Dim L	Dim B
2-4p	±0.20	±0.15
5-7p	±0.30	±0.25
8-10p	±0.40	±0.35
11-12p	±0.45	±0.40

PART NO.: HM xx 60 x 000JO G

No. of poles	Color	RoHS compliant (lead<4%) In copper Alloy
0	Black (RAL9005)	
2	Red (RAL3001/D)	
3	Orange(RAL2011/P)	
4	Yellow(RAL1018/A)	
5	Green(RAL6018/T)	
6	Blue (RAL5015/A)	
8	Grey(RAL7004/P)	
9	White(RAL1102)	
C	Multiple colors	

mat'l. code		surface ASME Y14.5	tolerance ASME Y14.5	projection	product family
ltr ecn no dr date		tolerances unless otherwise specified			TERMINAL BLOCK
angles		X.±0.5		MM	title
X*±1°		X.X±0.3		scale	TERMINAL BLOCK
dr		EVIN ZHONG	052914		SPRING CLAMP,90D WIRE INLET,DIP SOLDER
enrg		EVIN ZHONG	052914		dwg no
chr		HANKE FENG	052914		sheet 1 of 1
appd		SHI JUN	052914		size
sheet index	revision	A			HMxx60x000JOG A4
	sheet	1			type CUSTOMER Drawing