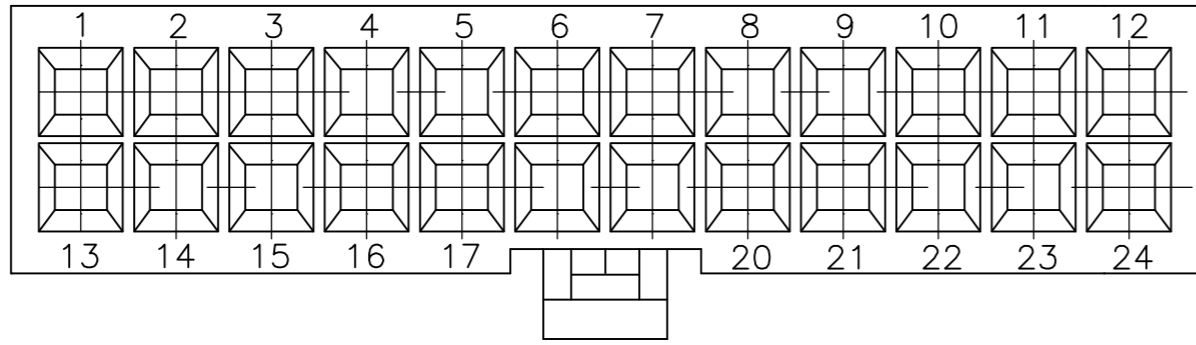
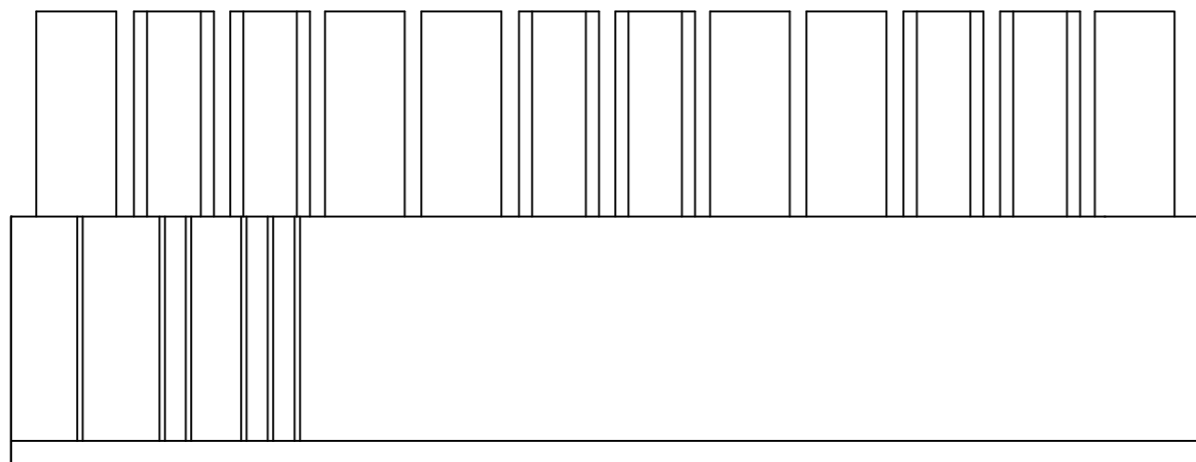
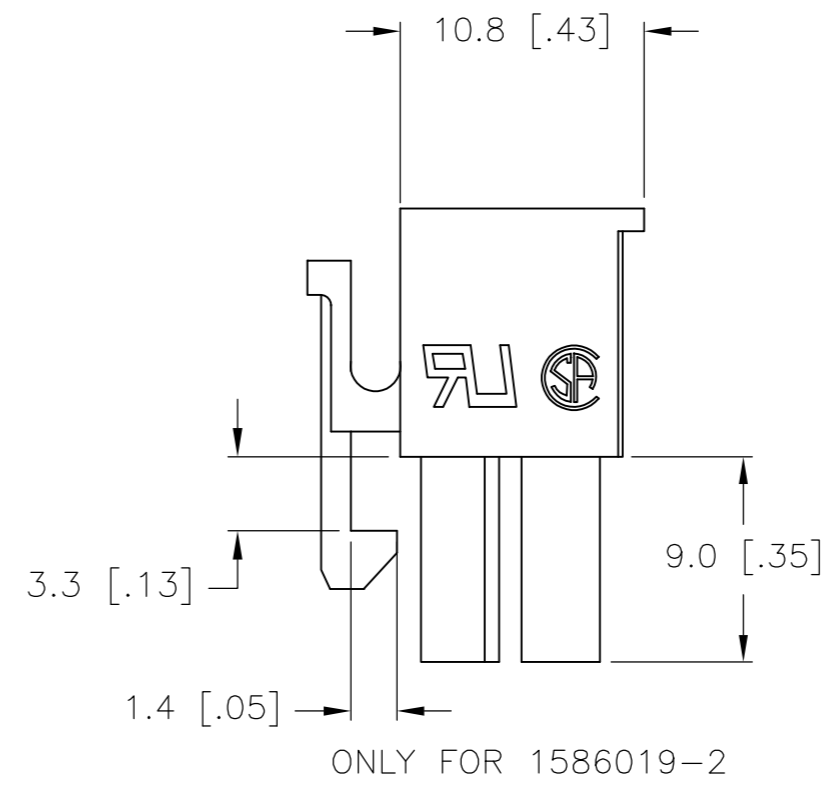
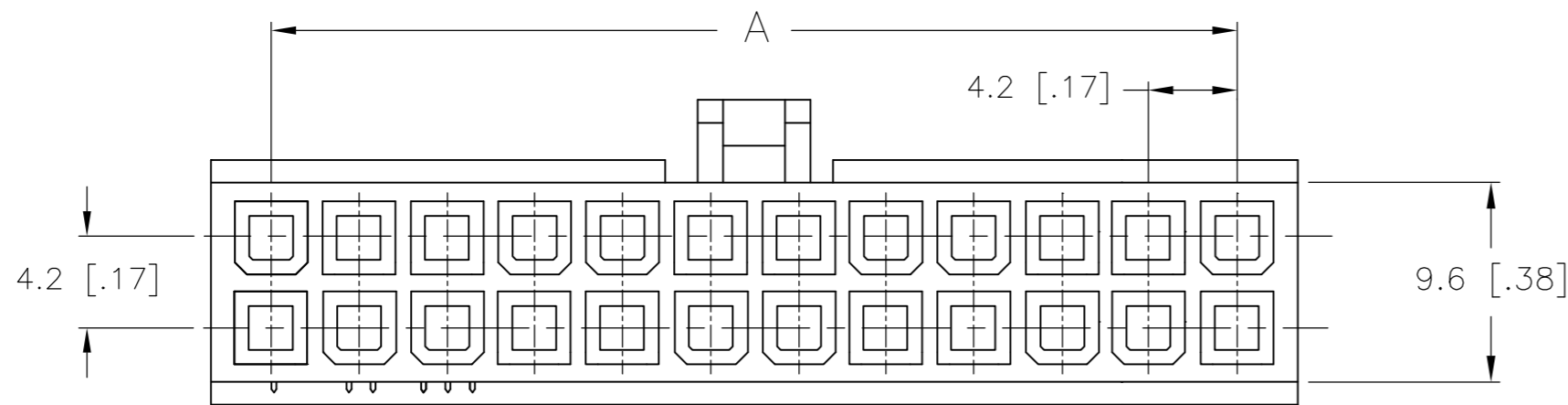
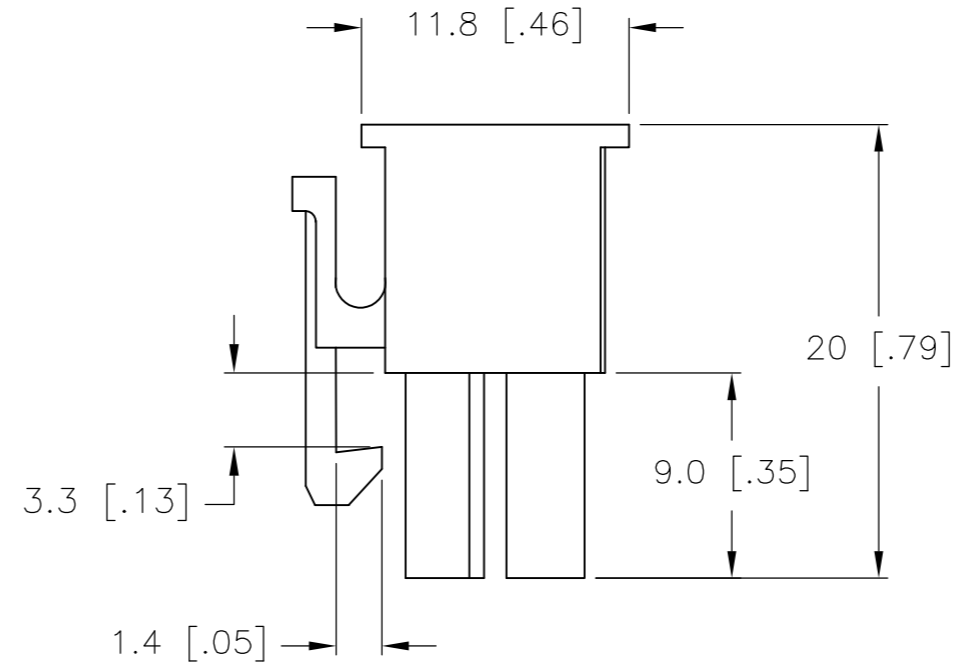
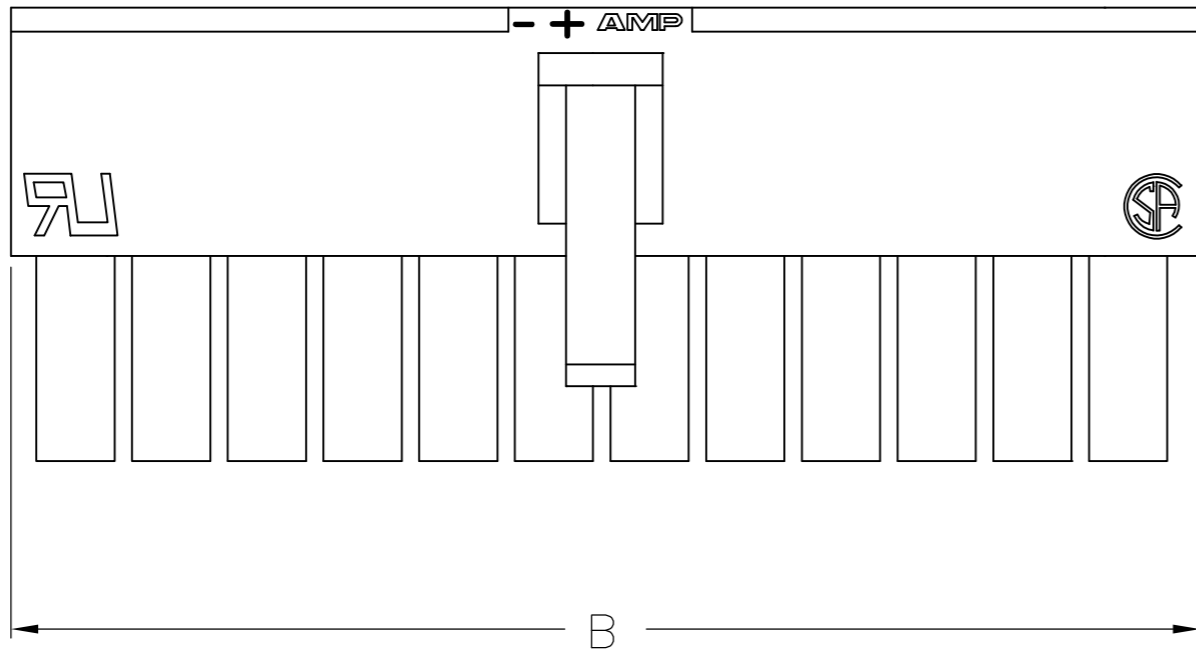


THIS DRAWING IS UNPUBLISHED. RELEASED FOR PUBLICATION
 © COPYRIGHT - By - ALL RIGHTS RESERVED.

LOC	DIST	REVISIONS			
P	LTR	DESCRIPTION	DATE	DWN	APVD
CM	00				
	C	REVISED PER ECO-12-014543	07NOV12	KH	SM



1 MATERIAL: NYLON, UL94V-0.



5.4	-	2	1586019-2
9.6	4.2	4	1586019-4
13.8	8.4	6	1586019-6
18.0	12.6	8	1586019-8
22.2	16.8	10	1-1586019-0
26.4	21.0	12	1-1586019-2
30.6	25.2	14	1-1586019-4
34.8	29.4	16	1-1586019-6
39.0	33.6	18	1-1586019-8
43.2	37.8	20	2-1586019-0
47.4	42.0	22	2-1586019-2
51.6	46.2	24	2-1586019-4
DIM B	DIM A	POS.	PART NUMBER

THIS DRAWING IS A CONTROLLED DOCUMENT.		DWN S. HOOVER 19-AUG-2002		
DIMENSIONS: mm [INCHES]		CHK D. COLEY 19-AUG-2002		
TOLERANCES UNLESS OTHERWISE SPECIFIED:		APVD D. COLEY 19-AUG-2002	NAME	
0 PLC ±		PRODUCT SPEC	RECEPTACLE HOUSING, VO, VAL-U-LOK(TM)	
1 PLC ± 0.4 [.02]		APPLICATION SPEC	SIZE	RESTRICTED TO
2 PLC ± 0.25 [.010]		WEIGHT	CAGE CODE	
3 PLC ± 0.150 [.0059]		CUSTOMER DRAWING	DRAWING NO	
4 PLC ±		SCALE	SHEET	REV
ANGLES ±		3:1	1 of 1	C
FINISH		A2 00779 C=1586019		
MATERIAL		1		