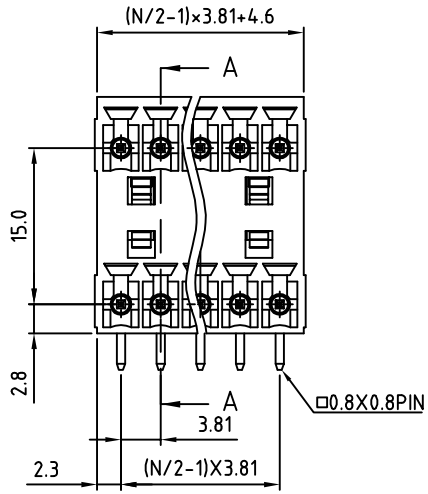
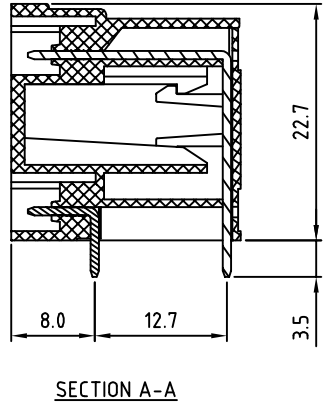


SIGN	DATE	DESCRIPTION	APPROVER
THIS IS CAD DRAWING, DO NOT REVISE MANUALLY!!!			



N=Number of poles



**Material**

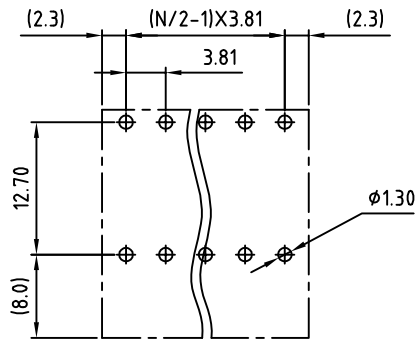
- Terminal body (Contact pin): Brass Whit Tin plated
- Insulator (housing): Thermoplastic (UL94V-0)

**Electrical cULus**

- Voltage rating: 300VAC
- Current rating: 10A
- Withstanding Voltage: 1.6KV
- Operating temperature: -30°C to +105°C
- Soldering temperature: 250°C±10°C/5 Sec
- Safety Approval: cULus

RoHS Compliant

**P.C.B LAYOUT**



PART NUMBER:

**OSTVLXX3151**

No. of Poles

- 04: 2x02 Poles
- 06: 2x03 Poles
- : :
- 48 2x24 Poles

COLOR

- 0: Black
- 5: Green (Standard)
- 6: Blue
- 8: Grey

THESE DRAWINGS AND SPECIFICATIONS ARE THE PROPERTY OF ON-SHORE TECHNOLOGY, INC. AND SHALL NOT BE REPRODUCED, COPIED OR USED IN ANY MANNER WITHOUT THE PRIOR WRITTEN CONSENT OF ON-SHORE TECHNOLOGY, INC.



TITLE		OSTVL-3.81mm Series closed right-angle 2x2p-2x24p					
PART NO.		OSTVLXX3151		DWG NO.		OSTVLXX3151.DWG	
APPROVED		CHECKED	DESIGNED	DRAWN	CUST NO.		Tolerance
Shi Jun 2006.10.23		Marvin 2006.10.23	Marvin 2006.10.23	Marvin 2006.10.23			X. ±0.50
							X.X ±0.30
							X.XX ±0.10
							X° ±1°
					SHEET: 01/01		REV: E