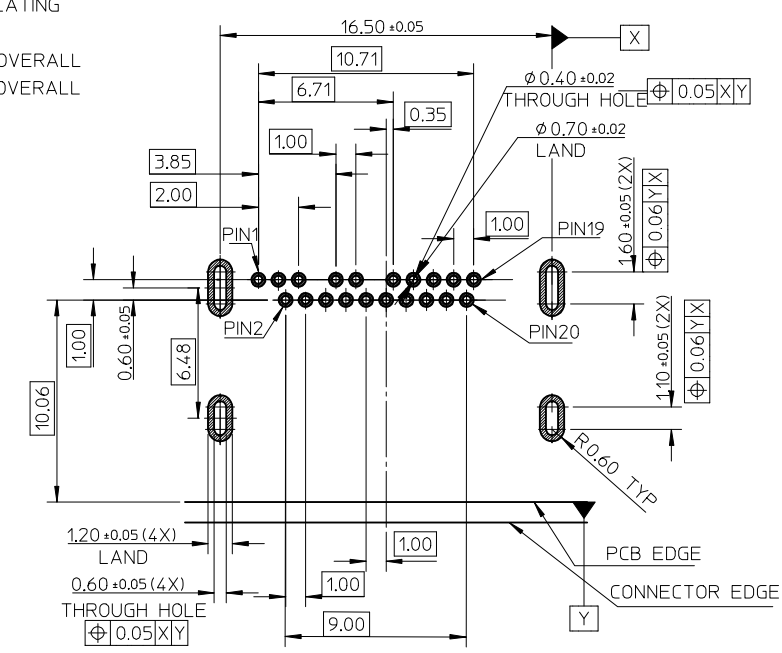
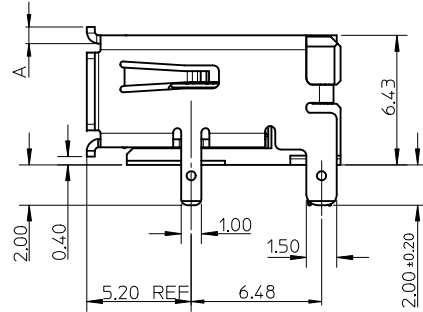
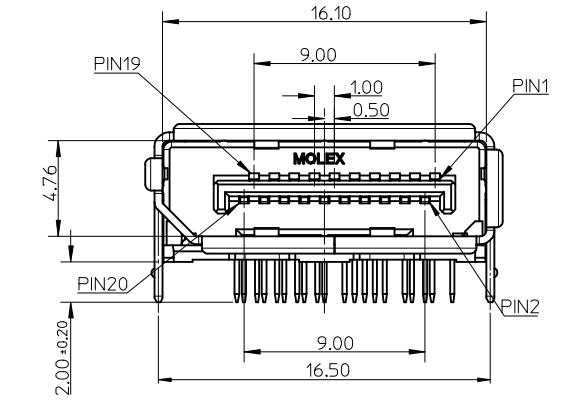
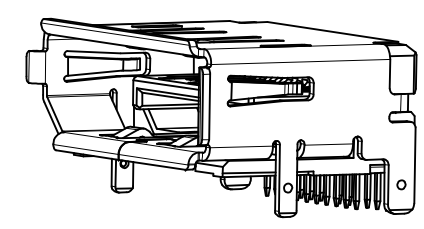


NOTES:

1. MATERIAL,  
 HOUSING:HIGH TEMPERATURE THERMAL PLASTIC BLACK 30% GLASS FILLED,UL94V-0.  
 GUIDE:HIGH TEMPERATURE THERMAL PLASTIC BLACK 30% GLASS FILLED,UL94V-0.  
 TERMINAL: COPPER ALLOY  
 SHELL: STAINLESS STEEL FOR THE PART WITHOUT FLANGE  
 AND PHOSPHOR BRONZE FOR PART WITH FLANGE

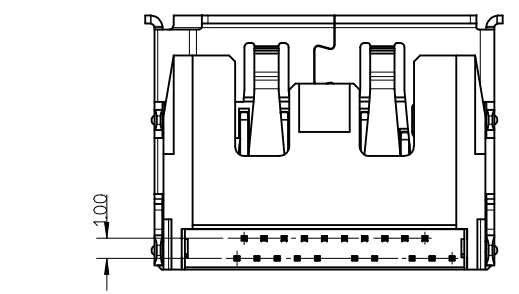
2.PLATING:  
 TERMINAL:CONTACT AREA (1) 0.76MICROMETER GOLD PLATING  
 (2) 0.10MICROMETER MIN. GOLD PLATING OVER  
 0.64MICROMETER MIN. PALLADIUM/NICKEL  
 (3) 0.38MICROMETER GOLD PLATING  
 (4) GOLD FLASH PLATING  
 AND SOLDER TAIL:(a) 1~3MICROMETER MATTE TIN PLATING  
 (b)GOLD FLASH PLATING  
 UNDER PLATING 1~3 MICROMETER NICKEL PLATING OVERALL  
 SHELL:1.27~2.54 MICROMETER SOLDERABLE NICKEL PLATING OVERALL

3. PRODUCT COMPLANT TO ROHS DIERTIVE 2002/95/EC  
 AND ELV DIRECTIVE 2000/53/EC



RECOMMENDER PCB LAYOUT(THINKNESS=1.6±0.15)

BOTTOM VIEW

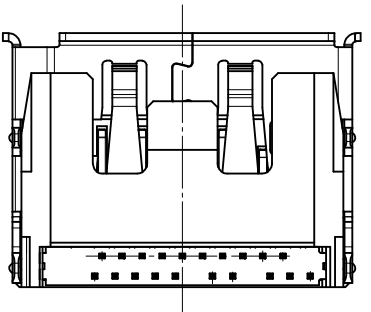
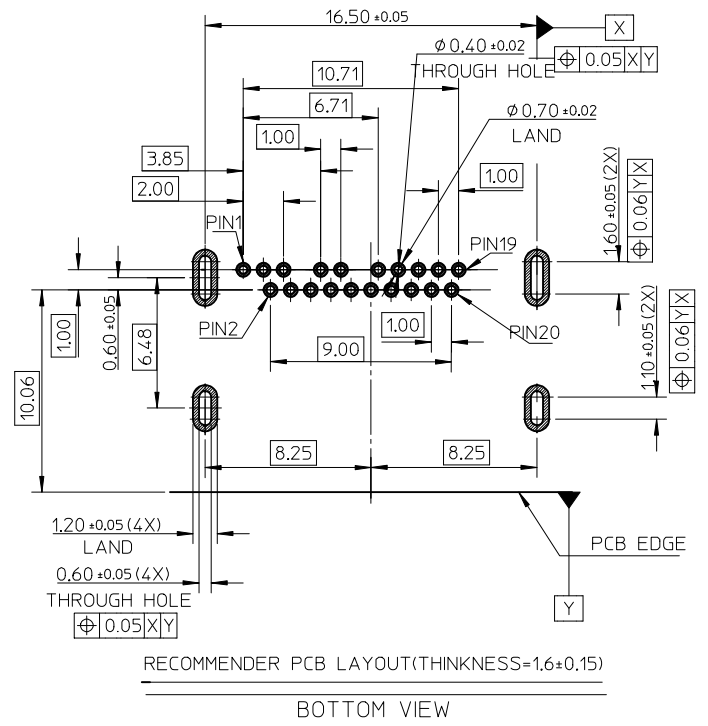
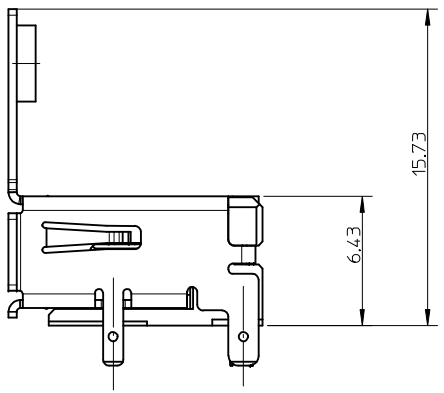
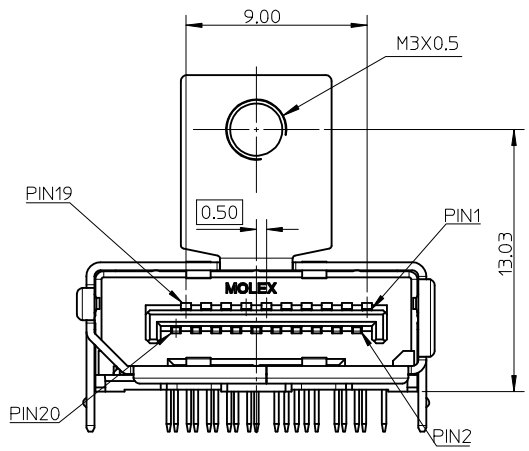
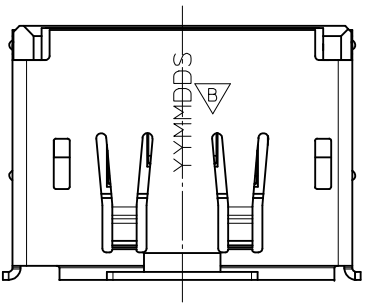
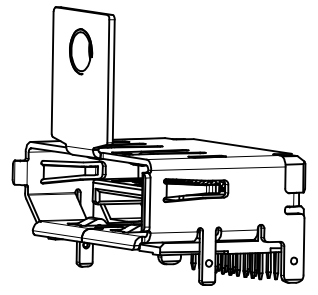


REVISED EC NO: SH2013-0046 2013/10/30 DR:WZRZHANG 2013/10/30 CH:KDRZHANG 2013/12/31 APPR:AYIN	DESCRIPTION REV	QUALITY SYMBOLS F <sub>A</sub> =0 F <sub>C</sub> =0 F <sub>P</sub> =0	GENERAL TOLERANCES (UNLESS SPECIFIED)		DIMENSION STYLE MM ONLY	SCALE 1:1	DESIGN UNITS METRIC	THIRD ANGLE PROJECTION
			mm	INCH	DRAWN BY HHE	DATE 2007-05-21	TITLE 1.0MM PITCH DIP TYPE DISPLAY PORT HEADER	
			4 PLACES ± --- ± ---	3 PLACES ± --- ± ---	CHECKED BY HWWANG	DATE 2007-05-21	MOLEX INCORPORATED	
			2 PLACES ± 0.2 ± ---	1 PLACE ± 0.2 ± ---	APPROVED BY JNCHEN	DATE 2007-05-21		
ANGULAR ± 3 °		DRAFT WHERE APPLICABLE MUST REMAIN WITHIN DIMENSIONS		MATERIAL NO. SEE SHEET 4	DOCUMENT NO. SD-105020-001	SHEET NO. 1 OF 4		
THIS DRAWING CONTAINS INFORMATION THAT IS PROPRIETARY TO MOLEX INCORPORATED AND SHOULD NOT BE USED WITHOUT WRITTEN PERMISSION								

10 9 8 7 6 5 4 3 2 1

# WITH FLANGE

NOTES:  
UNSPECIFIED DIMENSION ARE SAME AS SHEET1

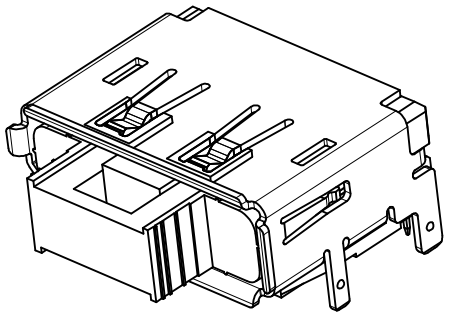
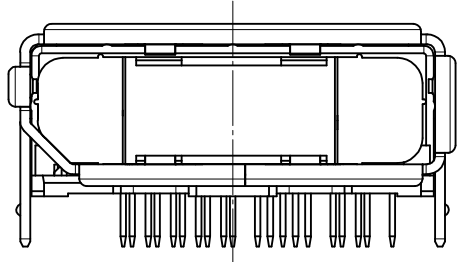


SEE SHEET 1 EC NO: SH2013-0046 DR:WNRZHANG 2013/10/30 CH:KD:RZHANG 2013/10/30 APPR:AYIN 2013/12/31	QUALITY SYMBOLS F=0 F=0 F=0	GENERAL TOLERANCES (UNLESS SPECIFIED)		DIMENSION STYLE <b>MM ONLY</b>	SCALE <b>1:1</b>	DESIGN UNITS <b>METRIC</b>	THIRD ANGLE PROJECTION		
		4 PLACES ± --- ± --- 3 PLACES ± --- ± --- 2 PLACES ± 0.2 ± --- 1 PLACE ± 0.2 ± ---	mm INCH	DRAWN BY HHE	DATE 2007-05-21	TITLE <b>1.0MM PITCH DIP TYPE DISPLAY PORT HEADER</b>			
		ANGULAR ± 3 °		CHECKED BY HWWANG	DATE 2007-05-21	MOLEX INCORPORATED			
		DRAFT WHERE APPLICABLE MUST REMAIN WITHIN DIMENSIONS		APPROVED BY JNCHEN	DATE 2007-05-21	MATERIAL NO. <b>SEE SHEET 4</b>	DOCUMENT NO. <b>SD-105020-001</b>	SHEET NO. <b>2 OF 4</b>	
D6		SIZE <b>A3</b>		THIS DRAWING CONTAINS INFORMATION THAT IS PROPRIETARY TO MOLEX INCORPORATED AND SHOULD NOT BE USED WITHOUT WRITTEN PERMISSION					

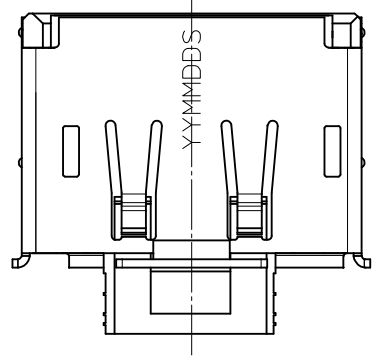
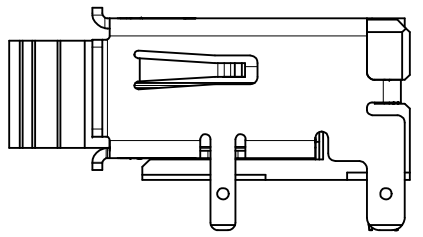
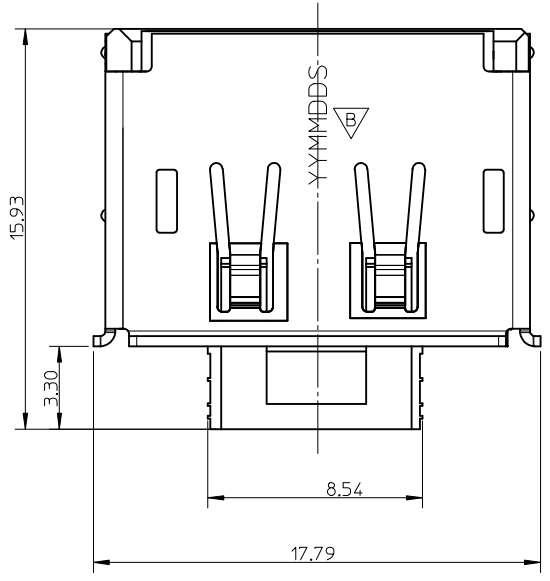
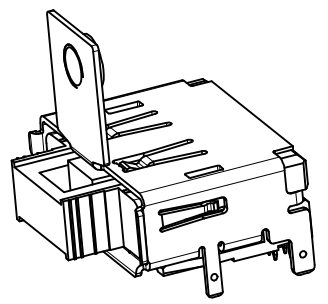
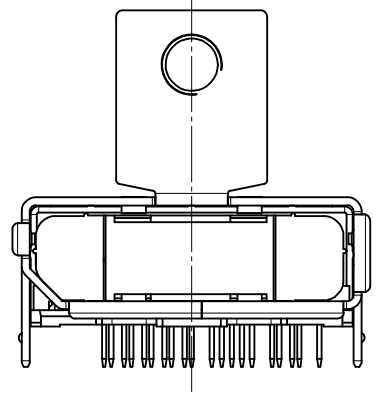
9 8 7 6 5 4 3 2 1

10 9 8 7 6 5 4 3 2 1

WITH COVER



WITH FLANGE AND COVER



- NOTES:  
 1.UNSPECIFIED DIMENSION ARE SAME AS SHEET1  
 2.CONNECTOR WITH COVER IS RECOMMENDED FOR WAVING SOLDERING PEG  
 3.PCB DIMENSION REFER TO SHEET1

- NOTES:  
 1.UNSPECIFIED DIMENSION ARE SAME AS SHEET1  
 2.CONNECTOR WITH COVER IS RECOMMENDED FOR WAVING SOLDERING PEG  
 3.PCB DIMENSION REFER TO SHEET1

SEE SHEET 1 EC NO: SH2013-0046 DRWNR:ZHANG 2013/10/30 CHKDR:ZHANG 2013/10/30 APPR:AYIN 2013/12/31	QUALITY SYMBOLS $F_A=0$ $F_G=0$ $F_P=0$	GENERAL TOLERANCES (UNLESS SPECIFIED)		DIMENSION STYLE	SCALE	DESIGN UNITS	THIRD ANGLE PROJECTION
				MM ONLY	1:1	METRIC	
				DRAWN BY	DATE	TITLE	
				CHECKED BY	DATE		
D6	REV	4 PLACES	± ---	± ---	HHE	2007-05-21	10MM PITCH DIP TYPE DISPLAY PORT HEADER
		3 PLACES	± ---	± ---	HWANG	2007-05-21	
		2 PLACES	± 0.2	± ---	APPROVED BY	DATE	MOLEX INCORPORATED
		1 PLACE	± 0.2	± ---	JNCHEN	2007-05-21	
		ANGULAR ± 3 °		MATERIAL NO.		DOCUMENT NO.	SHEET NO.
		DRAFT WHERE APPLICABLE MUST REMAIN WITHIN DIMENSIONS		SEE SHEET 4		SD-105020-001	3 OF 4
				THIS DRAWING CONTAINS INFORMATION THAT IS PROPRIETARY TO MOLEX INCORPORATED AND SHOULD NOT BE USED WITHOUT WRITTEN PERMISSION			

9 8 7 6 5 4 3 2 1

ASSEMBLY NO.	FLANGE	PLATING IN THE CONTACT AREA	PLATING IN THE SOLDER TAIL AREA	WITH COVER	REMARK	PACKAGE	A	SHELL MATERIAL
1050200001	WITHOUT	SEE NOTE2(1)	SEE NOTE2(a)	WITHOUT	FOR SHEET 1	PK-105020-001	0.82	STAINLESS STEEL
1050200251		SEE NOTE2(2)						
1050200003		SEE NOTE2(3)						
1050200004		SEE NOTE2(4)						
1050200013	WITH	SEE NOTE2(1)	SEE NOTE2(b)	WITHOUT	FOR SHEET 2	PK-105020-002	NONE	PHOSPHOR BRONZE
1050200002		SEE NOTE2(1)						
1050200252		SEE NOTE2(2)						
1050200005		SEE NOTE2(3)						
1050200016	WITHOUT	SEE NOTE2(4)	SEE NOTE2(a)	WITH	FOR SHEET 3	PK-105020-102	0.82	STAINLESS STEEL
1050200007		SEE NOTE2(1)						
1050200257		SEE NOTE2(2)						
1050200008		SEE NOTE2(1)						
1050200008	WITH	SEE NOTE2(1)	SEE NOTE2(a)	WITH	FOR SHEET 3	PK-105020-102	0.82	STAINLESS STEEL
1050200258	SEE NOTE2(2)							
1050200009	WITHOUT	SEE NOTE2(3)						
1050200010	SEE NOTE2(4)							
1050200011	WITH	SEE NOTE2(3)	SEE NOTE2(a)	WITH	FOR SHEET 3	PK-105020-102	0.82	STAINLESS STEEL
1050200012	SEE NOTE2(4)							
1050200012	WITH	SEE NOTE2(3)						
1050200121	WITHOUT	SEE NOTE2(1)						
1050200121	WITHOUT	SEE NOTE2(1)		WITHOUT	FOR SHEET 1	PK-105020-003	1.35	STAINLESS STEEL

SEE SHEET 1 EC NO: SH2013-0046 2013/10/30 DR:WZRZHANG 2013/10/30 CH:KDFZHANG 2013/10/30 APPR:AYIN 2013/12/31	QUALITY SYMBOLS	GENERAL TOLERANCES (UNLESS SPECIFIED)		DIMENSION STYLE MM ONLY		SCALE 1:1	DESIGN UNITS METRIC	THIRD ANGLE PROJECTION	
	$F_A=0$	4 PLACES	mm	INCH	DRAWN BY HHE	DATE 2007-05-21	TITLE 1.0MM PITCH DIP TYPE DISPLAY PORT HEADER		
	$F_B=0$	3 PLACES	± ---	± ---	CHECKED BY HWWANG	DATE 2007-05-21			
	$F_C=0$	2 PLACES	± 0.2	± ---	APPROVED BY JNCHEN	DATE 2007-05-21	MOLEX INCORPORATED		
$F_D=0$	1 PLACE	± 0.2	± ---	MATERIAL NO. SEE TABLE	DOCUMENT NO. SD-105020-001	SHEET NO. 4 OF 4			
DRAFT WHERE APPLICABLE MUST REMAIN WITHIN DIMENSIONS		ANGULAR ± 3 °		THIS DRAWING CONTAINS INFORMATION THAT IS PROPRIETARY TO MOLEX INCORPORATED AND SHOULD NOT BE USED WITHOUT WRITTEN PERMISSION					