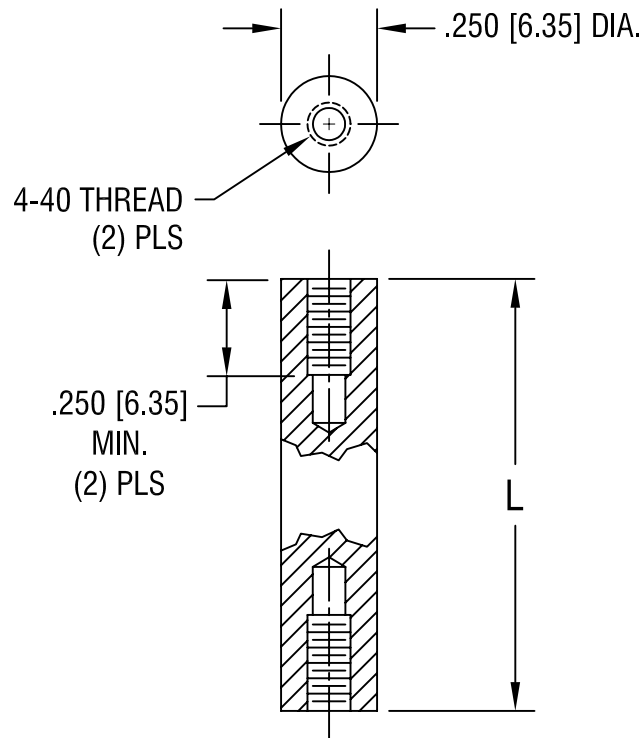


THIS DOCUMENT IS THE PROPERTY OF
KEYSTONE ELECTRONICS CORP. AND
SHALL NOT BE REPRODUCED, DISTRIBUTED
OR USED AS A BASIS FOR MANUFACTURE
WITHOUT PRIOR WRITTEN PERMISSION
FROM KEYSTONE ELECTRONICS CORP.



PART NO.	'L' DIM.
3483	1.500 [38.10]
3484	2.000 [50.80]

KEYSTONE ELECTRONICS CORP.			
ASTORIA, N.Y. 11105-2017			
PART NAME THREADED ROUND STANDOFF			
MATERIAL ALUMINUM			
FINISH CLEAR IRIDITE		DRN BY BOONE	DATE 3.12.98
		APP'D LN	SCALE 2X
TOLERANCES INCH [MM]		CODE	DWG NO.
DECIMAL $\pm .005$ [± 0.15]		C/M	3483-3484
ANGULAR $\pm 1^\circ$			
UNLESS OTHERWISE SPECIFIED			

DATE	DESCRIPTION	REV.
7.29.05	CHANGE AS PER ECN 05-055	A