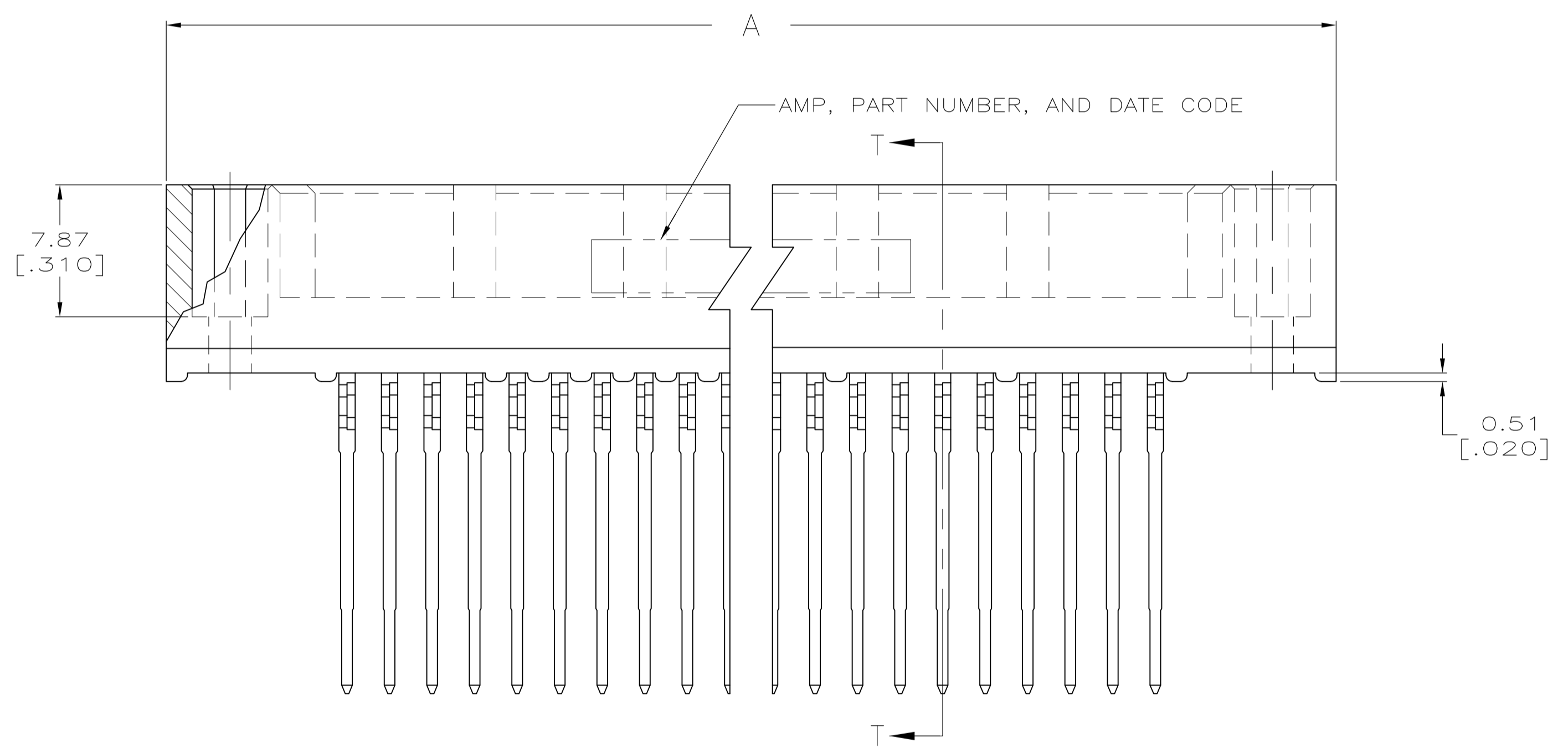
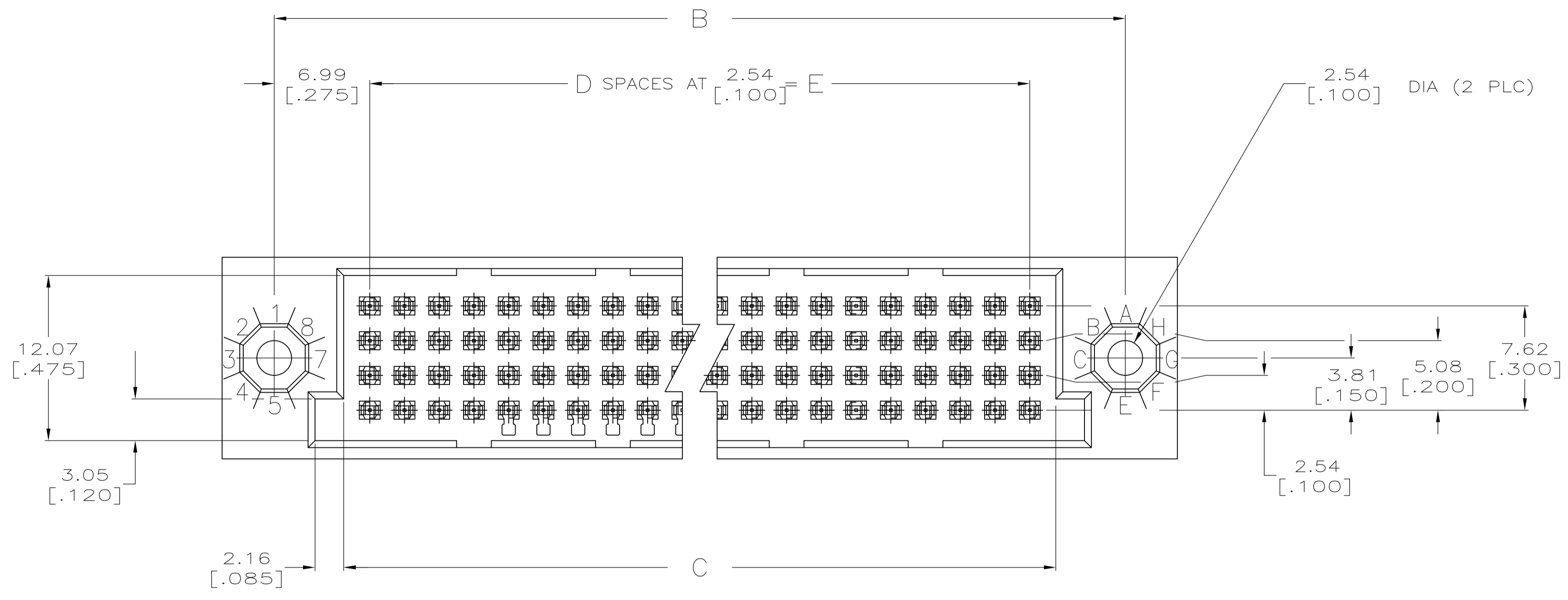
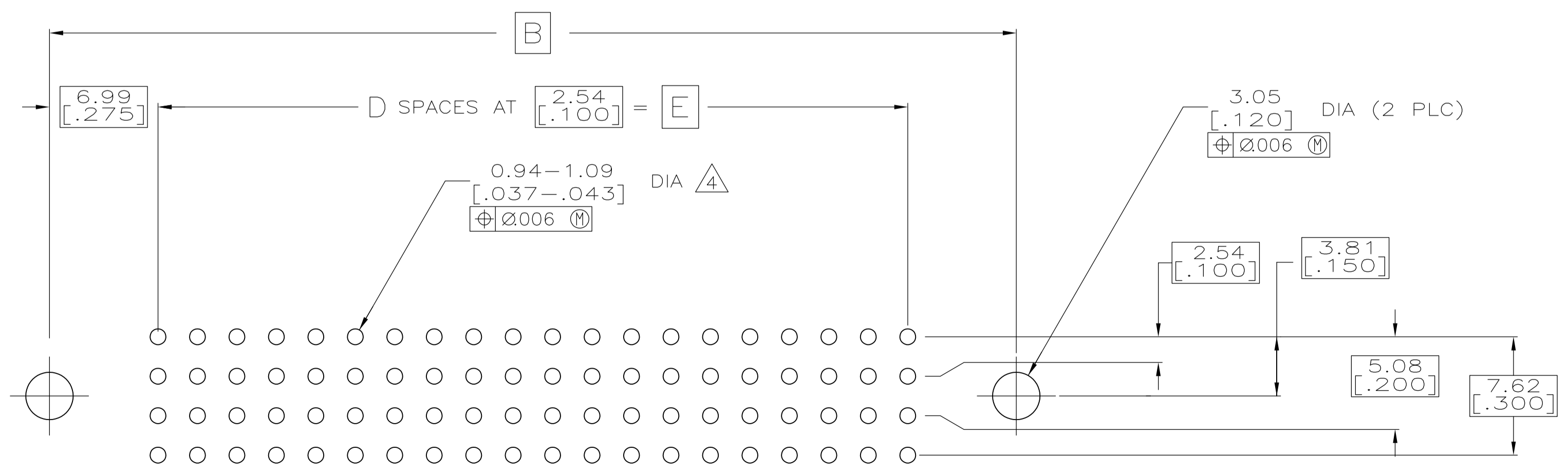
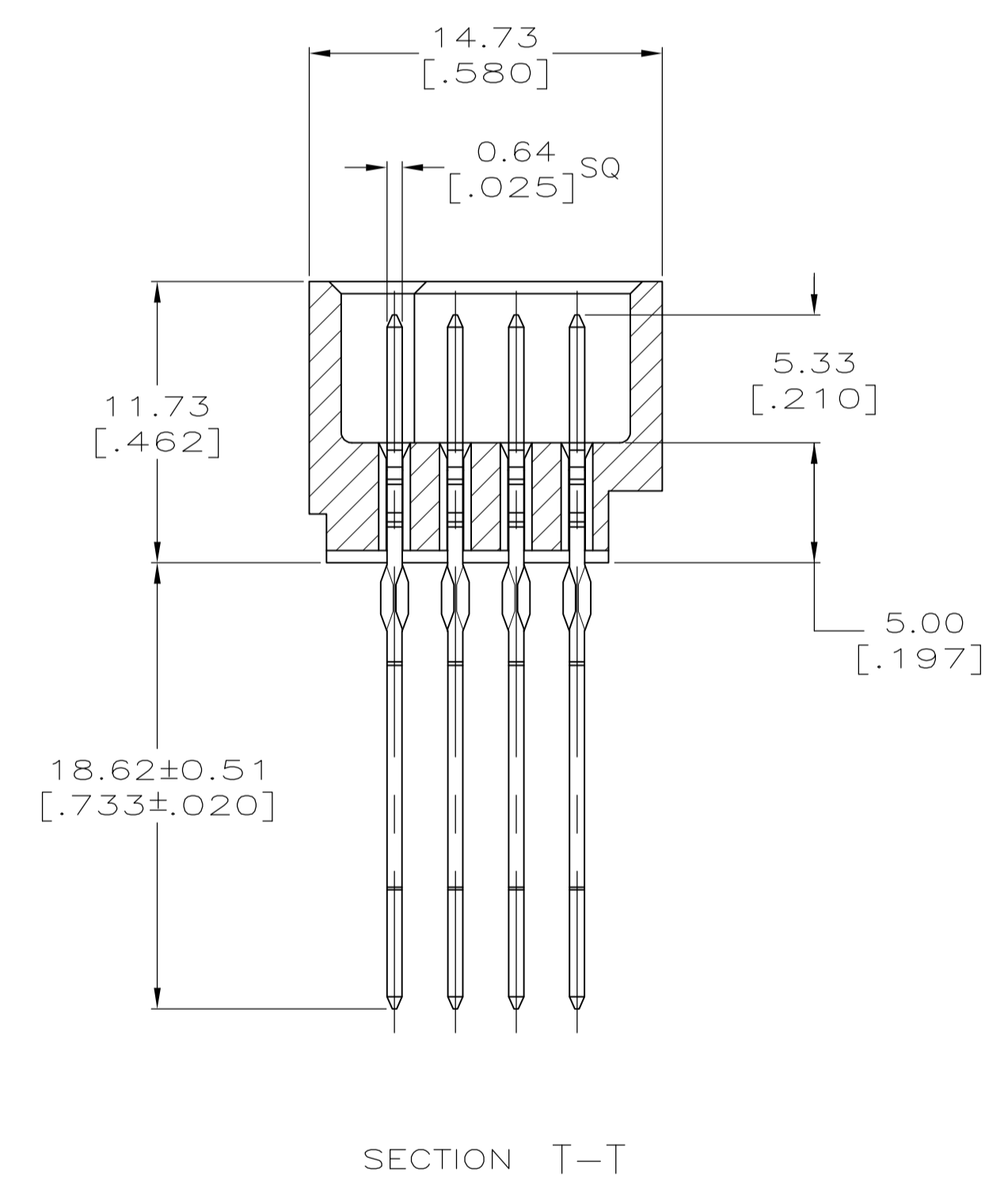


REVISONS		DATE	DMN	APVD
0	RELEASED PER EC 0512-0038-05	11MAY05	JDP	AMS
01	REVISED PER ECO-09-024606	02NOV09	KK	AEG



- 1 HOUSING MATERIAL: THERMOPLASTIC, COLOR-BLACK.
- 2 CONTACT MATERIAL: PHOSPHOR BRONZE.
- 3 CONTACT FINISH: .00127-.00254 [.000050-.000100] NICKEL UNDERPLATE ALL OVER; .00076 [.000030] GOLD PLATE IN CONTACT AREA, TIN PLATED POSTS.
- 4 ACTION PIN POSTS REQUIRE 2.36 [.093] MIN THICK P.C. BOARD. RECOMMENDED P.C. BOARD HOLES ARE 1.151 [.0453] DIA PLATED THRU WITH 0.025-0.076 [.001-.003] COPPER, WITH 0.0076 [.0003] MIN TIN-LEAD PLATING; FINISHED HOLE AFTER PLATING 0.94-1.09 [.037-.043] DIA.
- 5 OBSOLETE PARTS: OBSOLETE CIS STREAMLINING PER D.RENAUD/D.SINISI



5 OBSOLETE	187.96 [7.400]	74	191.77 [7.550]	201.93 [7.950]	209.55 [8.250]	300	1-5532435-2
	111.76 [4.400]	44	115.57 [4.550]	125.73 [4.950]	133.35 [5.250]	180	5532435-6
	E	D	C	B	A	POSN	

THIS DRAWING IS A CONTROLLED DOCUMENT.		DIN J. POLIGNONE 11MAY05	Tyco Electronics Corporation Harrisburg, Pa 17105-3608
DIMENSIONS: mm [INCHES]		CIK A. SHARPE 11MAY05	
TOLERANCES UNLESS OTHERWISE SPECIFIED:		APVD A. SHARPE 11MAY05	NAME: ASSEMBLY, PIN, VERTICAL, HDI, LEAD-FREE, 4 ROW, WITHOUT GUIDE PINS, 18.62[.733] LONG ACTION PINS, .00076[.000030] GOLD PLATE
0 PLC ± -		APPLICATION SPEC	
1 PLC ± -		SIZE	CAGE CODE
2 PLC ± -		WEIGHT	DRAWING NO
3 PLC ± 0.13 [.005]		A1 00779 C=5532435	
4 PLC ± -		RESTRICTED TO	
ANGLES ± -		CUSTOMER DRAWING	