

DATE	DESCRIPTION	REV.
6.7.05	CHANGE AS PER ECN 05-031	A

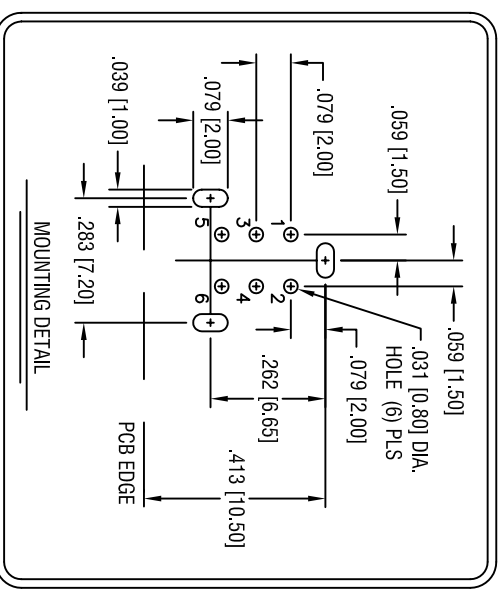
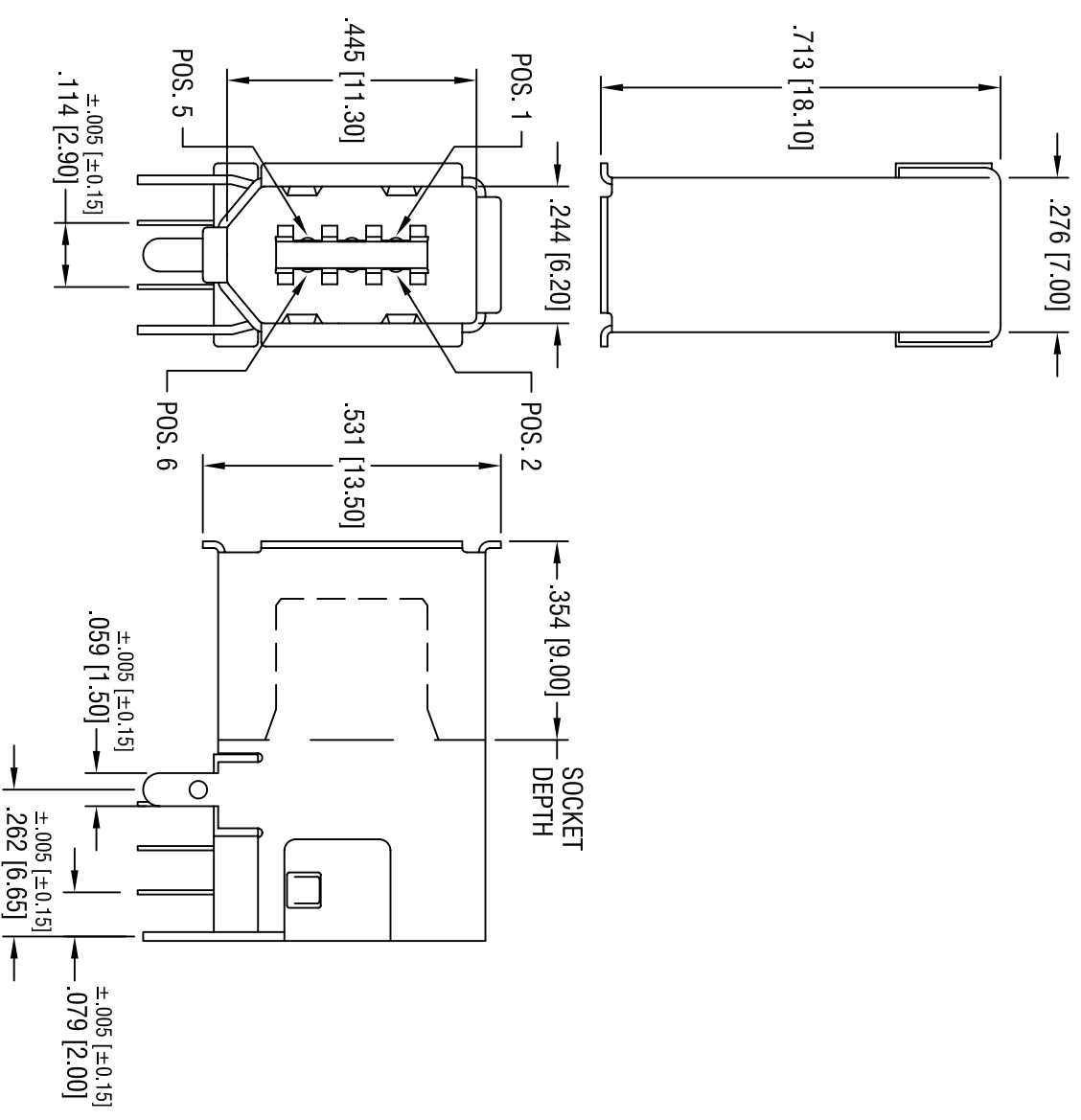
**Notes:**

Shell: Mat'l: Phosphor Bronze,  
 Finish: Tin Plate over  
 Nickel Plate.

Insulator: Mat'l: Thermoplastic  
 UL 94V-0

Contacts: Mat'l: Phosphor Bronze  
 Finish: Gold Plate over  
 Nickel Plate on  
 Contact Area.  
 Tin Plate over  
 Nickel Plate  
 on Solder Tail.

**Electrical Specifications**  
 Rated Voltage:  
 30V AC (rms)  
 Contact Current Rating:  
 1A Max.  
 Contact Resistance:  
 30 milliohms Max.  
 Insulation Resistance:  
 1000 Megohms Min.  
 Dielectric Withstanding:  
 750V AC  
 Operating Temperature:  
 32° [0°C] to 104° [40°C]



**KEYSTONE ELECTRONICS CORP.**

ASTORIA, N.Y. 11105-2017

PART NAME  
 IEEE 1394 'FIREWIRE' THRU-HOLE UP-RIGHT SOCKET  
 MATERIAL  
 AS NOTED

FINISH	AS NOTED	DRN BY	BOONE	DATE	7.1.99		
TOLERANCES	INCH [MM]	CODE	DWG NO.	App'D	LN	SCALE	3X
DECIMAL	± .010 [± 0.25]	C/M	930				
ANGULAR	± 1°						

THIS DOCUMENT IS THE PROPERTY OF  
 KEYSTONE ELECTRONICS CORP. AND  
 SHALL NOT BE REPRODUCED, DISTRIBUTED  
 OR USED AS A BASIS FOR MANUFACTURE  
 WITHOUT PRIOR WRITTEN PERMISSION  
 FROM KEYSTONE ELECTRONICS CORP.