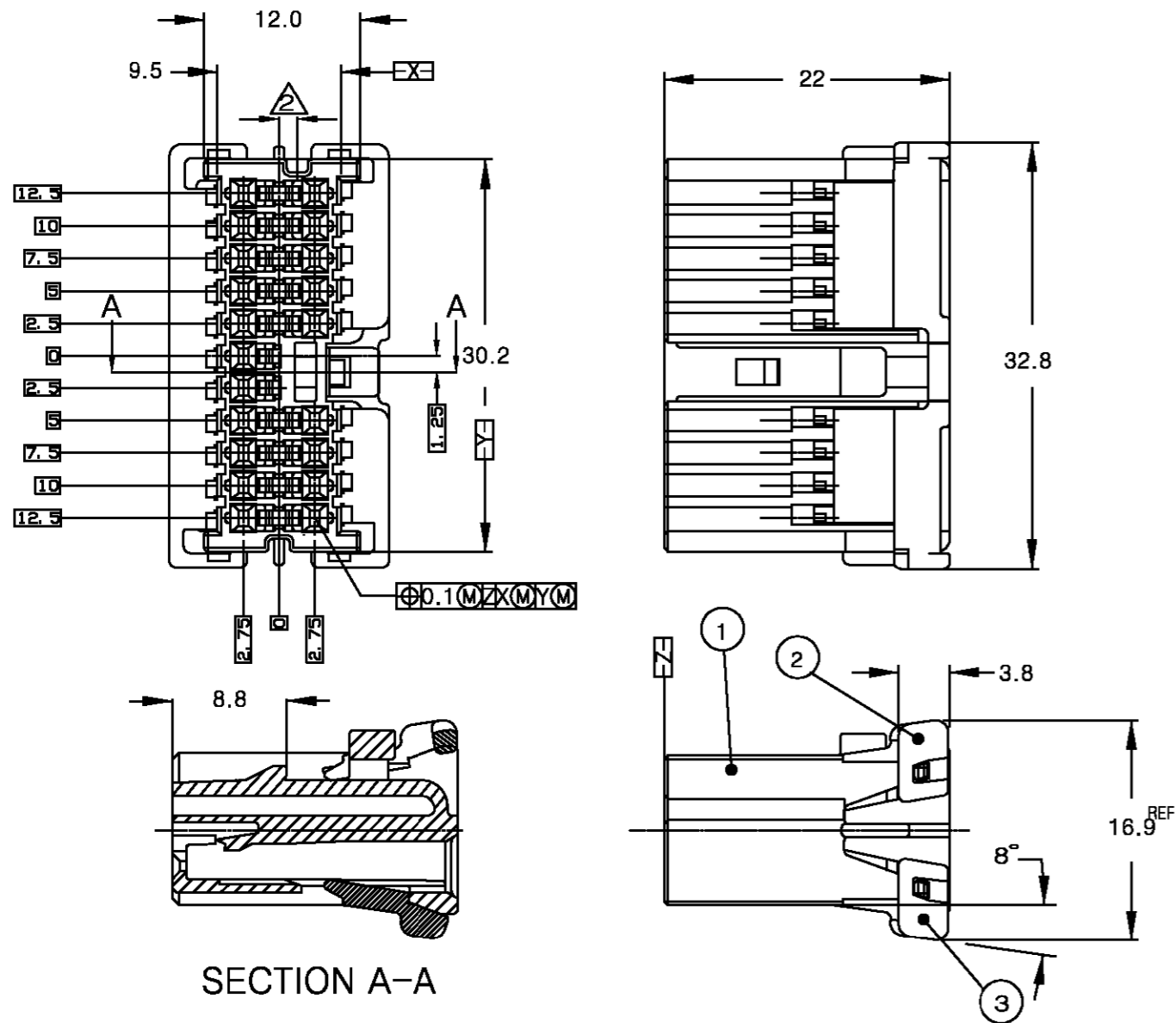


LOC	DIST	REVISIONS					
		P	LTR	DESCRIPTION	DATE	DWN	APVD
DS				RELEASED(FC00-0039-03)	27/MAR/'03	HS	CS
				REVISED(FC00-0101-03)	19/JUL/'03	HS	CS
				REVISED(ECR-05-009378)	22/AUG/'05	IS	JK

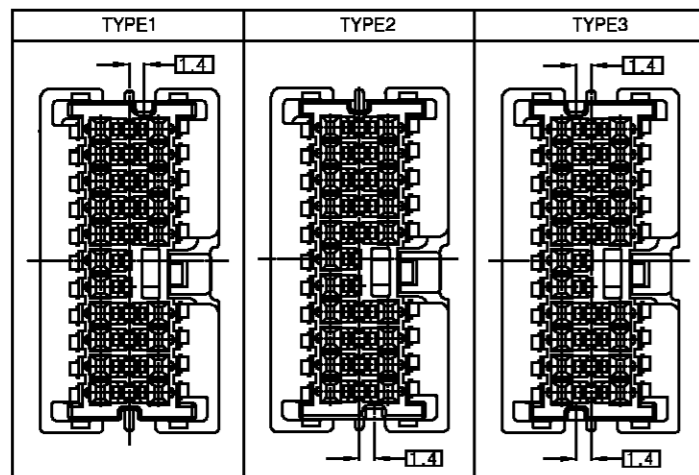
NOTES:

1. PLATE MUST BE COMPLETELY PRE-ASSEMBLED
 2. KEY CODE : REFER TO THE TABLE
 3. APPLICABLE CONTACT P/N: 316836-1, 316838-1
 4. THE MATING P/N ; 936500
- 주기
1. PLATE는 그림과 같이 1차 locking 상태로 공급되어짐.
 2. KEY CODE : TABLE 참조
 3. 적용 TML P/N: 316836-1, 316838-1
 4. 상대 하우징 P/N ; 936500



SECTION A-A

<KEY CODE>



ASS'Y P/N							
936473-8	936473-7	936473-6	936473-5	936473-4	936473-3	936473-2	936473-1

ITEM NO	PARTS NO	MATERIAL	NAME	FINISH/COLOR	KEY CODE TYPE	Q'TY of ASS'Y							
③	936493-2		20Pos.DBL LOCK PLATE(A)	BLACK	-	1	1	1	1	1	1	1	1
②	936494-2		20Pos.DBL LOCK PLATE(B)	BLACK	-	1	1	1	1	1	1	1	1
①	936474-8			BLUE	1	1	-	-	-	-	-	-	-
	936474-7			GREEN	1	-	1	-	-	-	-	-	-
	936474-6			RED	1	-	-	1	-	-	-	-	-
	936474-5			YELLOW	1	-	-	-	1	-	-	-	-
	936474-4			BROWN	2 ⊕	-	-	-	-	1	-	-	-
	936474-3			GRAY	3 ⊕	-	-	-	-	-	1	-	-
	936474-2			BLACK	1	-	-	-	-	-	-	1	-
	936474-1	PBT	20Pos.PLUG HSG	NATURAL	1	-	-	-	-	-	-	-	1

THIS DRAWING IS A CONTROLLED DOCUMENT FOR TYCO ELECTRONICS CORPORATION. IT IS SUBJECT TO CHANGE AND THE CONTROLLING ENGINEERING ORGANIZATION SHOULD BE CONTACTED FOR THE LATEST REVISION.

DWN : IS WOO
CHK : BM JANG
APVD : JK SONG

tyco Electronics AMP KOREA. kyungsan, korea

NAME: 20Pos. PLUG HOUSING ASS'Y 040 III MLC CONN.

SIZE: A3 CAGE CODE: 00779 DRAWING NO: 936473 RESTRICTED TO: C

DIMENSIONS: MM TOLERANCES UNLESS OTHERWISE SPECIFIED:
0 <XX<10 ± 0.2
10 <XX<30 ± 0.25
30 <XX ± 0.3
ANGLES ± 3'

3rd ANGLE PROJECTION MATERIAL: SEE NOTE FINISH: WEIGHT:

SCALE: 2/1 SHEET: 1 OF 1 REV: B