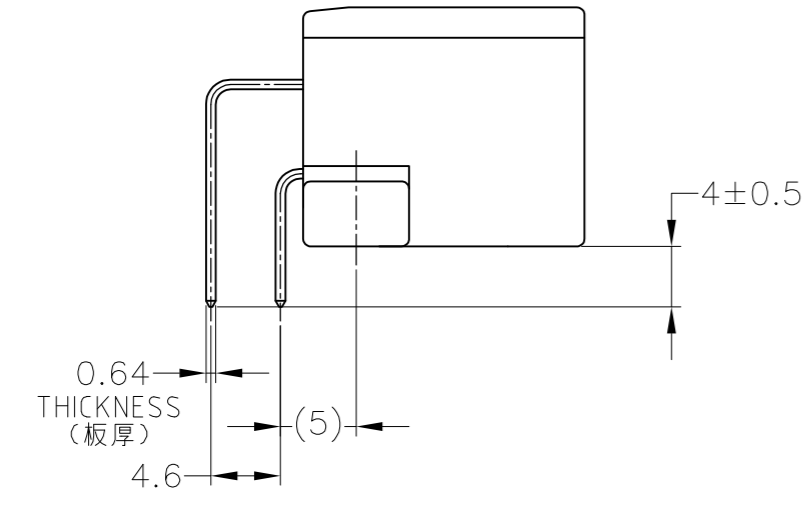
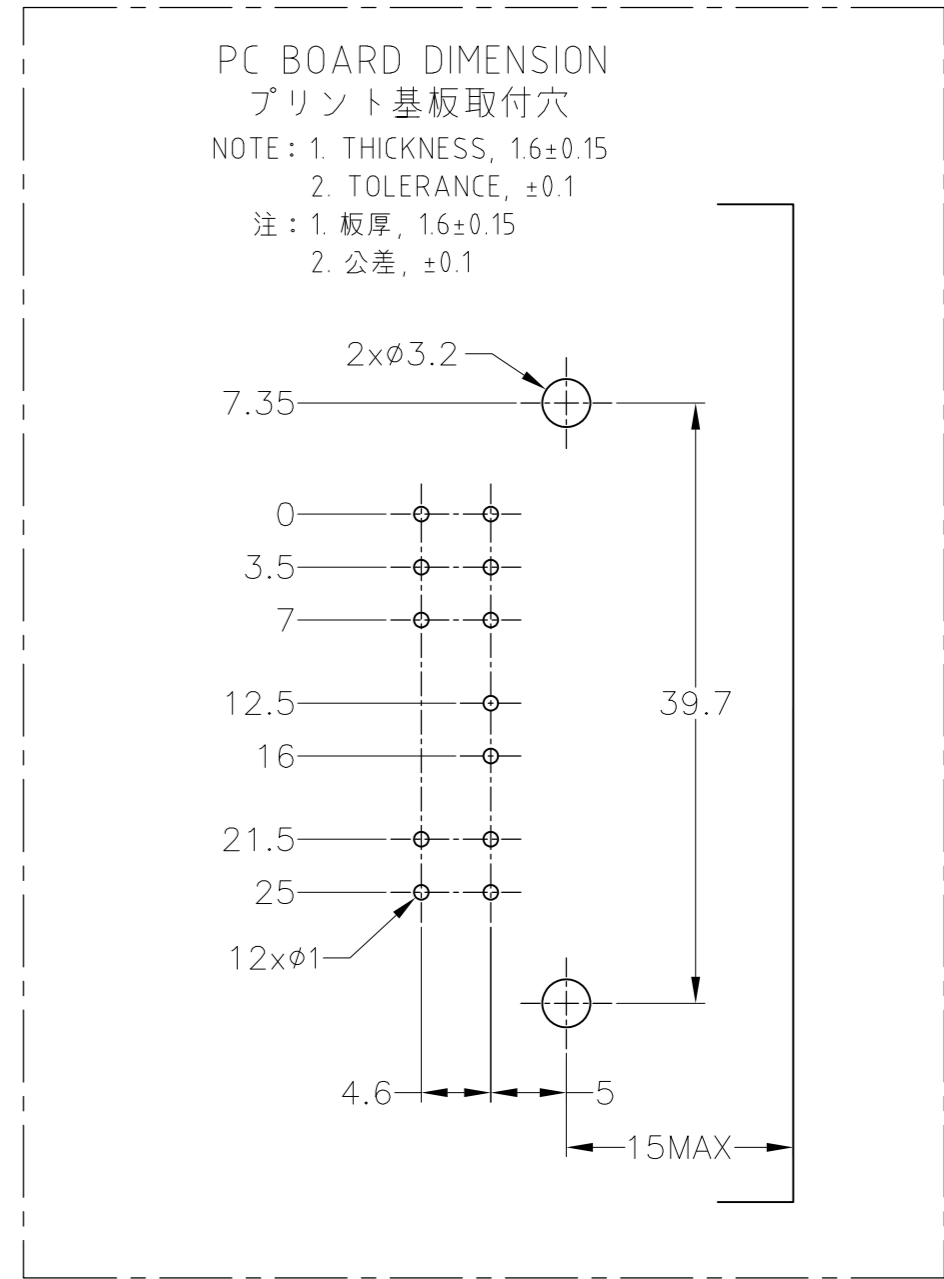
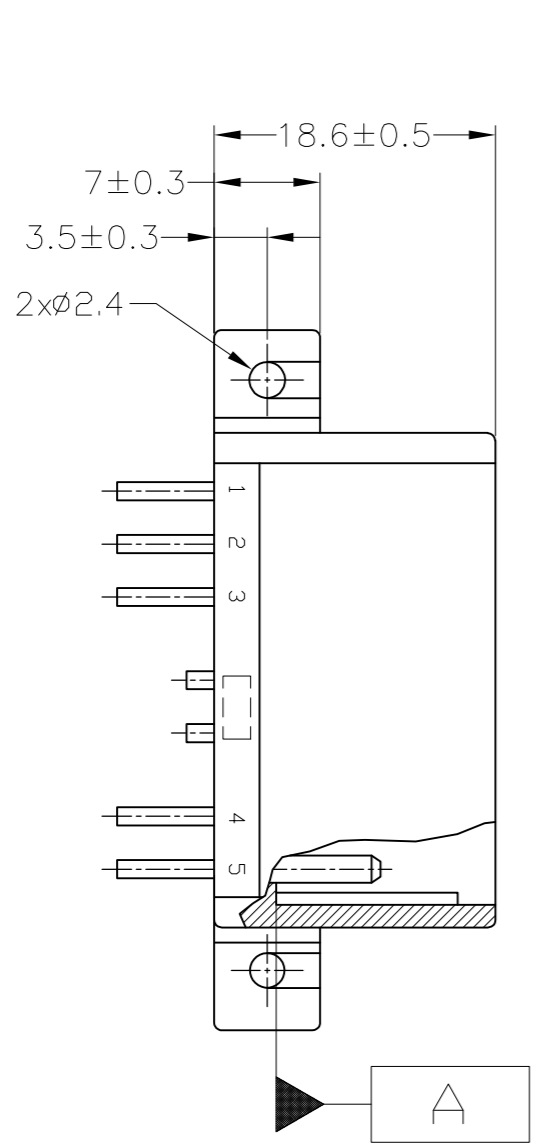


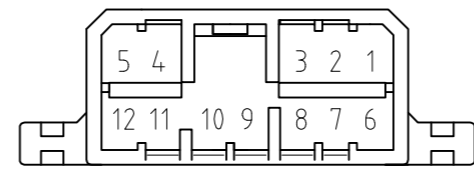
THIS DRAWING IS UNPUBLISHED. RELEASED FOR PUBLICATION
 © COPYRIGHT - By - ALL RIGHTS RESERVED.

LOC	DIST	REVISIONS					
		P	LTR	DESCRIPTION	DATE	DWN	APVD
J	-	H4	REVISED	ECR-15-006110	21APR15	KF	RK



- △ A 面より2mmの範囲で測定。
- △ 相手ハウジングと所定の機能を満足して嵌合できること。
- 3. プリント基板への取付は、JIS B1115又は1122, M3×6ナブ (2種又は4種) のタッピンネジで締付けた後ハンダ付する。(締付けトルク4kg-cm以下)
- △ 回路番号：下図参照のこと。

- △ TO BE MEASURED BETWEEN [A] AND 2.
- △ TO BE MATE WITH PLUG HSG SMOOTHLY.
- 3. TO BE USE M3 TAPPING SCREW JIS B1115 OR 1122 (TYPE 2 OR 4) BEFORE SOLDER.
- △ CIRCUIT NUMBER.



HB	SELECTIVE-TIN (MATTE)	SELECTIVE GOLD × 12	1~12 (全極)	-	GREEN 緑色	2-5173858-4
HB	SELECTIVE-TIN (MATTE)	SELECTIVE GOLD × 12	1~12 (全極)	-	NATURAL 自然色	2-5173858-1
HB	PRE-TIN × 7		-	1,3,5,6,8,10,12 (7極)	GRAY 灰色	2-173858-6
OBSOLETE	SELECTIVE-TIN	PRE-TIN × 12	-	1~12 (全極)	GRAY 灰色	3-173858-2
OBSOLETE	SELECTIVE-TIN	PRE-TIN × 12	-	1~12 (全極)	NATURAL 自然色	3-173858-1
HB	TIN-LEAD	SELECTIVE GOLD × 12	1~12 (全極)	-	GREEN 緑色	2-173858-4
V-2	PRE-TIN × 12		-	1~12 (全極)	NATURAL 自然色	9-173858-1
HB	PRE-TIN × 12		-	1~12 (全極)	GRAY 灰色	173858-6
	TIN-LEAD	SELECTIVE GOLD × 12	1~12 (全極)	-	NATURAL 自然色	2-173858-1
	PRE-TIN × 12		-	1~12 (全極)	GREEN 緑色	173858-4
USED MATERIAL FLAMMABILITY	SOLDERING SIDE 半田付け面	CONTACT SIDE 接触部側	△ GOLD PLATED CIRCUIT NO. 金めっき回路番号		△ PRE-TIN CIRCUIT NO. 鉛めっき回路番号	COLOR 色
	CONTACT FINISH コンタクト仕上					PART NUMBER 製品型番

TOLERANCES UNLESS OTHERWISE SPECIFIED:
 一般公差

10±	±0.2
30±	±0.25
100±	±0.3
ANGLE	±3°

THIS DRAWING IS A CONTROLLED DOCUMENT.

DWN	T.SHINOHARA	06FEB07
CHK	K.BETSUI	06FEB07
APVD	K.BETSUI	06FEB07
PRODUCT SPEC	製品規格	
APPLICATION SPEC	取付適用規格	

TE Connectivity

070 SERIES MULTI-LOCK I/O CONNECTOR
 12POSITION CAP HOUSING ASSEMBLY (H-TYPE)

SIZE	A2	CAGE CODE	00779	DRAWING NO	C=173858	RESTRICTED TO	-
CUSTOMER DRAWING	SCALE 2:1		SHEET 1 OF 1	REV H4			