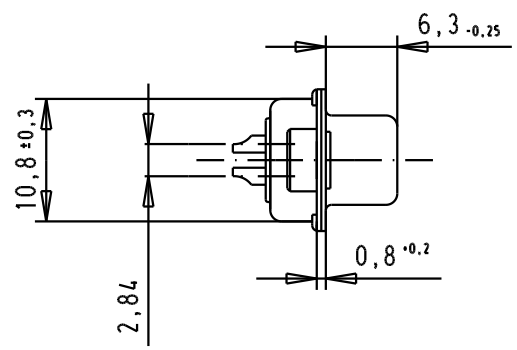
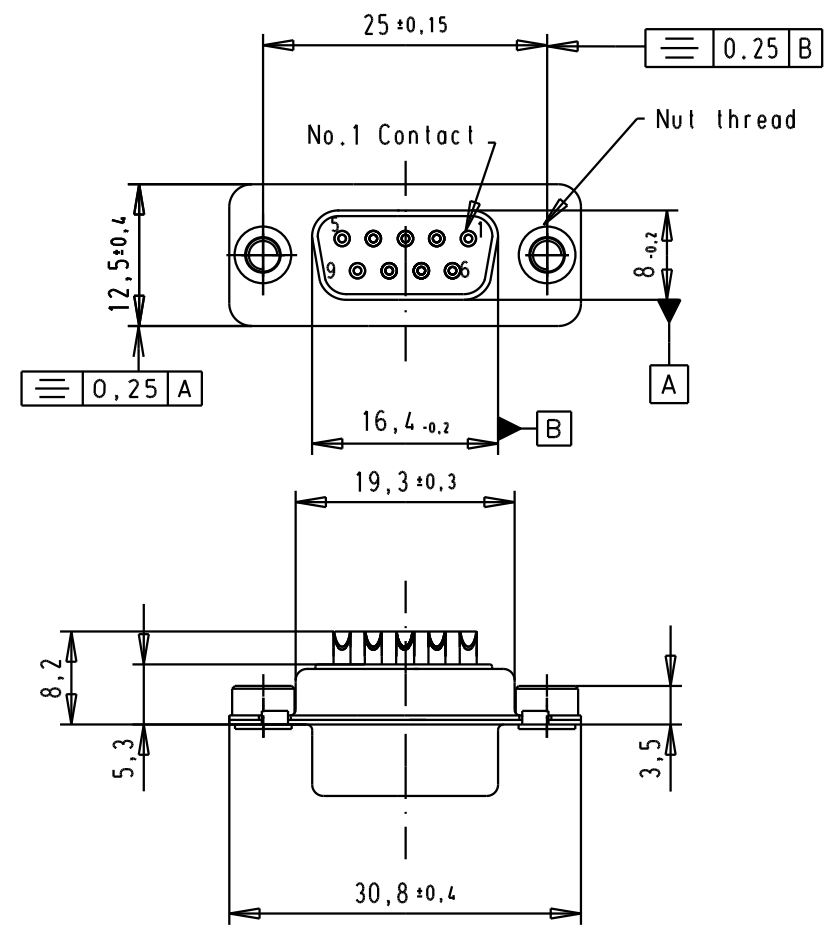


5 4 3 2 1

D
C
B
A



Solder bucket for AWG 20 Max

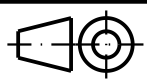
SPECIFICATION

Mating Cycles	500
Filter type	C
Capacitance	1000pf ± 20%
Working Voltage	100v
Current Rating	7.5A
Insulation Resistance	>1GΩ

FREQUENCY (MHz)	ATTENUATION (dB)
5	1dB
10	3dB
50	12dB
100	20dB
500	34dB
1000	30dB

09641117238	M3	32803	12/07/05	JMDR					
09641117237	UNC 4-40	31058	8-JUL-02	CV					
Part number	Nut thread	Mod.	Dat.	Name					

Detail.	8-JUL-02	CV			
Insp.					
Stand.					
All Dim. in mm Orig. Size DIN A 4					
HARTING EURL F-95972 Paris					



All Dim. in mm
Orig. Size DIN A 4

D-Sub, Female, Straight
9 Poles, solder buckets,
tin plated shell with
clinch nuts

TB 0964111723x

Sub.

Mo?MsTab/
Scale
1.5:1

Blatt/ Page
1 / 1