

Customer Information Sheet

DRAWING No.: M80-805XXXX

SHEET 2 OF 2

IF IN DOUBT - ASK

©

NOT TO SCALE

THIRD ANGLE PROJECTION

ALL DIMENSIONS IN mm

SPECIFICATIONS:

MATERIAL:
 MOULDING = GLASS-FILLED POLYESTER, UL94V-0, BLACK
 CONTACTS = PHOSPHOR BRONZE
 LATCHES = BERYLLIUM COPPER

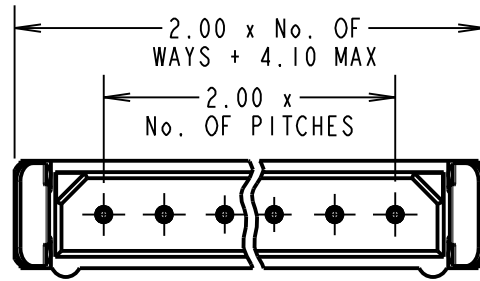
FINISH:
 CONTACTS:
 05 = 0.75µ GOLD
 22 = 0.75µ GOLD ON CONTACT AREA.
 3.0µ 90/10 TIN/LEAD ON TAILS
 LATCH = 1.25µ NICKEL

ELECTRICAL:
 CURRENT RATING (25°C) = 3.0A MAX.
 CURRENT RATING (85°C) = 2.2A MAX.
 WORKING VOLTAGE = 800V AC/DC
 VOLTAGE PROOF = 1200V AC/DC
 CONTACT RESISTANCE:
 INITIAL = 20 mΩ MAX.
 AFTER CONDITIONING = 25 mΩ MAX.
 INSULATION RESISTANCE:
 INITIAL = 1000 MΩ MIN.
 AFTER CONDITIONING = 100 MΩ MIN.

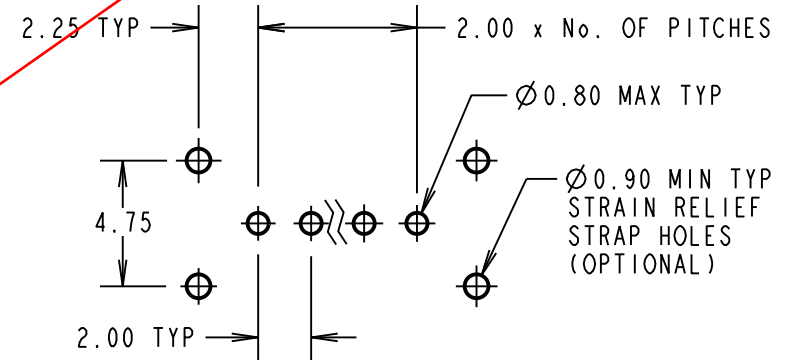
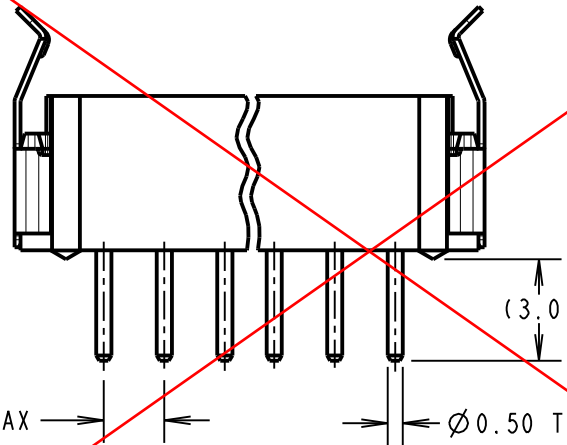
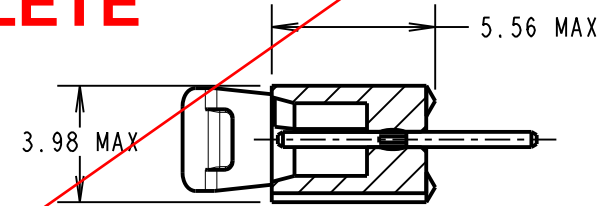
MECHANICAL:
 DURABILITY = 500 OPERATIONS
 INSERTION FORCE (∅0.5mm GAUGE) = 2.8N MAX
 WITHDRAWAL FORCE (∅0.5mm GAUGE) = 0.2N MIN

ENVIRONMENTAL:
 TEMPERATURE RANGE = -55°C TO +125°C

PACKING:
 TUBE
 FOR COMPLETE SPECIFICATION, SEE COMPONENT SPECIFICATION C005XX (LATEST ISSUE)



OBSOLETE



RECOMMENDED PCB LAYOUT

- NOTES:**
- 2-OFF STRAIN RELIEF STRAPS M80-0030006 MAY BE USED WITH THIS CONNECTOR.
 - FOR RoHS COMPLIANT EQUIVALENT PRODUCT USE M80-881XXXX CONNECTORS.

BRITISH STANDARD ORDER CODE:

B5743-1XX-M-T-R

TOTAL No. OF WAYS
 02 - 07, 17, 22

FINISH:
 R = SELECTIVE GOLD & TIN/LEAD

ORDER CODE:

M80-805XXXX

TOTAL No. OF WAYS
 02 - 07, 17, 22.

FINISH:
 05 = GOLD
 22 = SELECTIVE GOLD & TIN/LEAD

SB	11	05.03.12	11672
NAME	ISS.	DATE	C/NOTE
APPROVED: S.BENNETT			
CHECKED: S.FLOWER			
DRAWN: D. BECK			
CUSTOMER REF.:			
ASSEMBLY DRG:			

HARWIN

www.harwin.com
 technical@harwin.com

THIS DRAWING AND ANY INFORMATION OR DESCRIPTIVE MATTER SET OUT HEREON ARE CONFIDENTIAL AND COPYRIGHT PROPERTY OF THE HARWIN GROUP AND MUST NOT BE DISCLOSED, LOANED, COPIED OR USED FOR MANUFACTURING, TENDERING OR FOR ANY OTHER PURPOSE WITHOUT THEIR WRITTEN PERMISSION.

TOLERANCES

X. = ±1mm
 X.X = ±0.25mm
 X.XX = ±0.10mm
 X.XXX = ±0.01mm
 ANGLES = ±5°
 UNLESS STATED

MATERIAL:

SEE ABOVE

FINISH: SEE ABOVE

S/AREA:

mm²

TITLE:

DATAMATE SIL
 VERTICAL MALE PC TAIL
 ASSEMBLY - FRICTION LATCH

DRAWING NUMBER:

M80-805XXXX

SHT
 2 OF 2