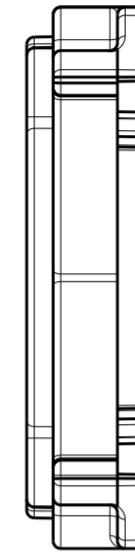
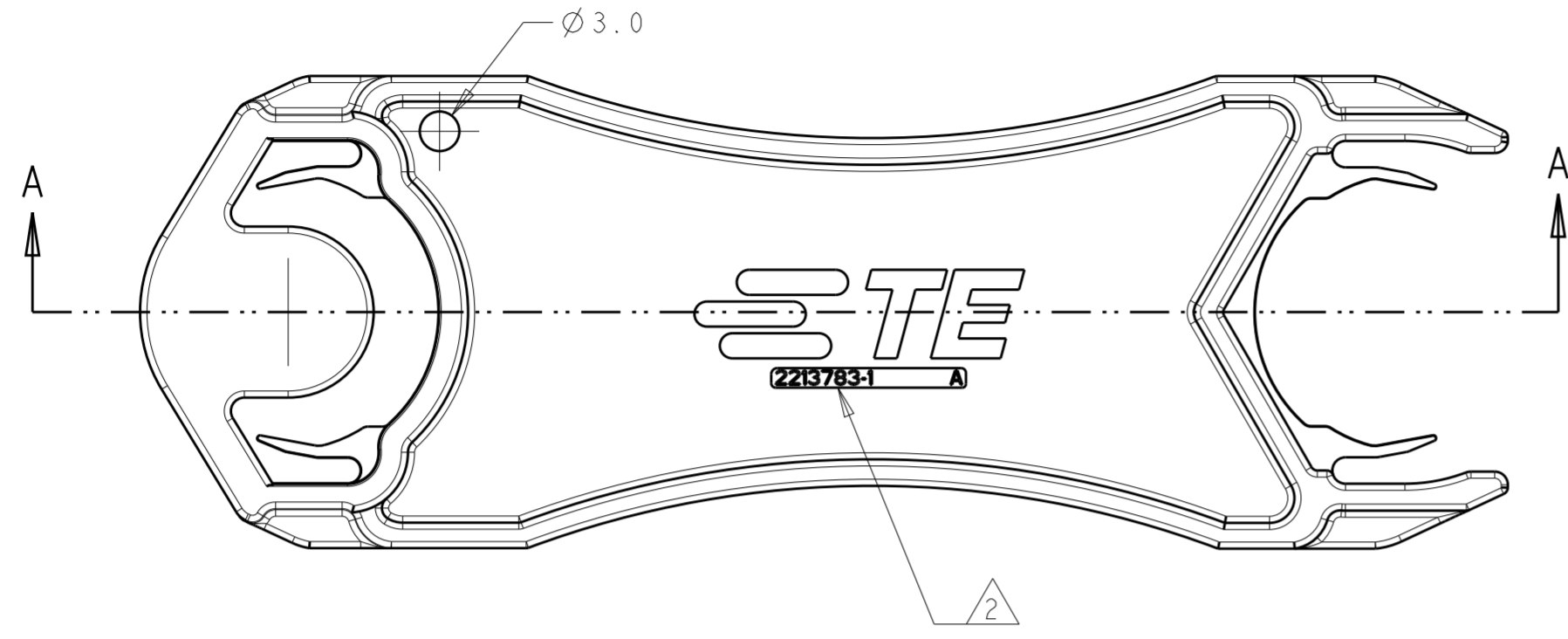
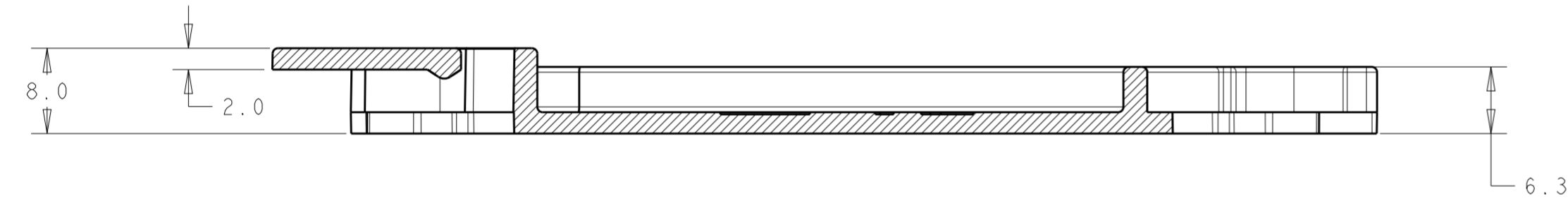


THIS DRAWING IS UNPUBLISHED. RELEASED FOR PUBLICATION
 © COPYRIGHT copyright.d8te- ALL RIGHTS RESERVED.

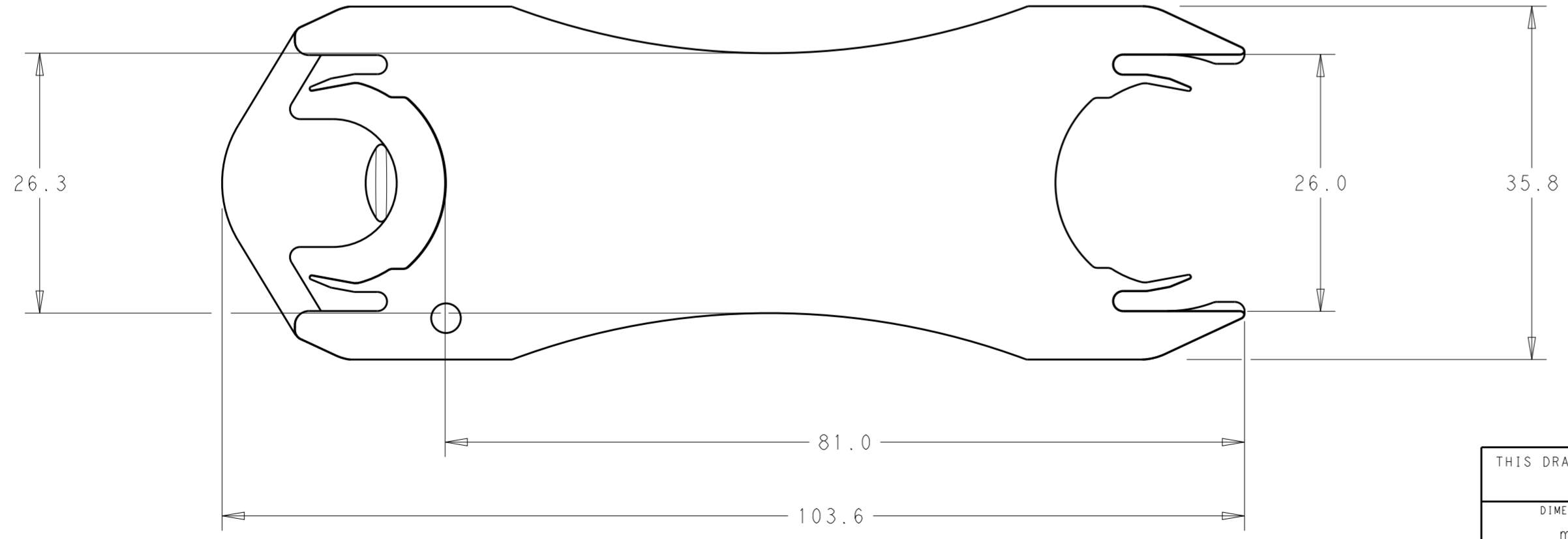
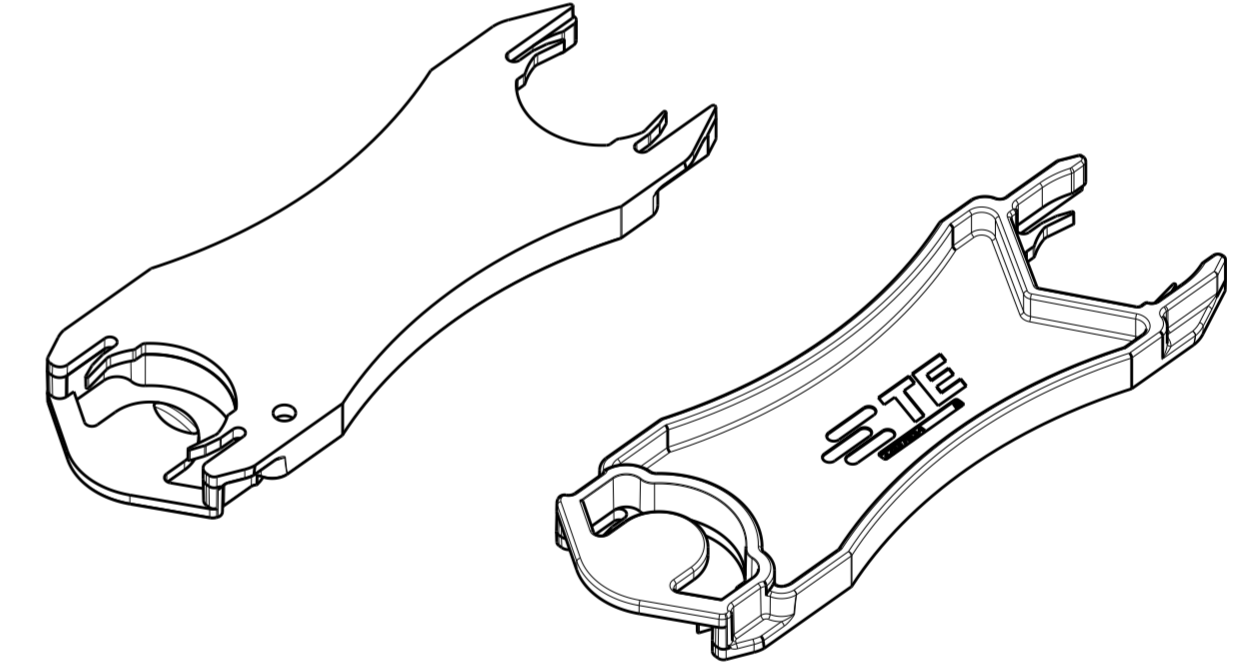
REVISIONS				
P	LTR	DESCRIPTION	DATE	APVD
A		REVISED PER ECR-16-008023	14JUN2016	RS JL



1 MATERIAL: POLYCARBONATE
 2 TE PART NUMBER.



SECTION A-A



2213783-1
 PART NO.

THIS DRAWING IS A CONTROLLED DOCUMENT.		DWN RAVLS 23FEB2016	STE TE Connectivity	
DIMENSIONS: mm		CHK LATORRE JUSTIN 23FEB2016		
TOLERANCES UNLESS OTHERWISE SPECIFIED:		APVD LATORRE JUSTIN 23FEB2016	NAME NECTOR M 5,6,7P DE-LATCH TOOL	
0 PLC ±		PRODUCT SPEC -	SIZE A2	
1 PLC ±0.1		APPLICATION SPEC -	CAGE CODE -	
2 PLC ±0.05		WEIGHT -	DRAWING NO C-2213783	
3 PLC ±		CUSTOMER DRAWING	RESTRICTED TO -	
4 PLC ±		SCALE 1:1	SHEET 1 OF 1	
ANGLES ±		REV A		
FINISH -				