

4

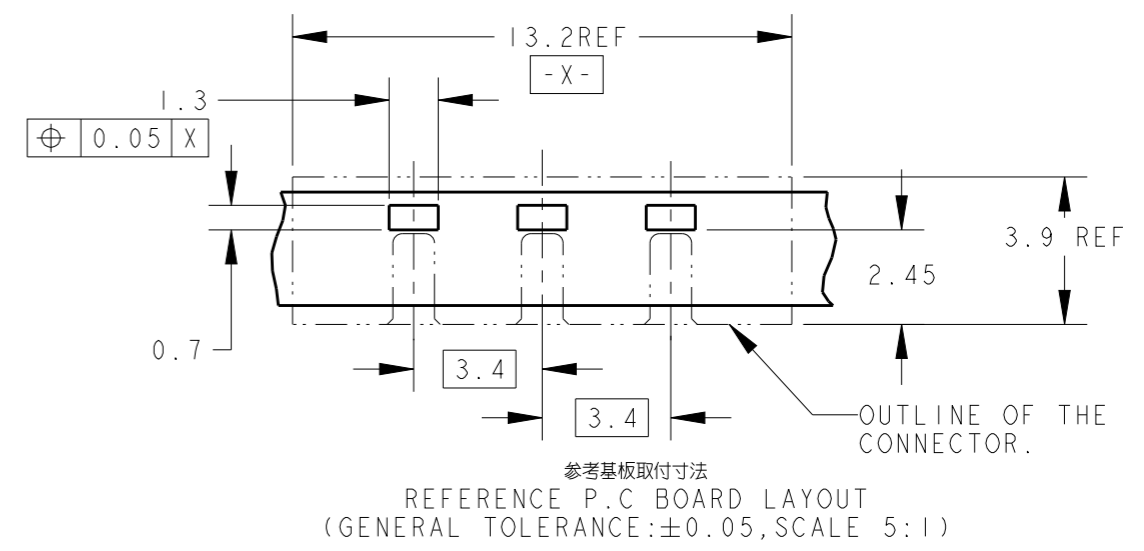
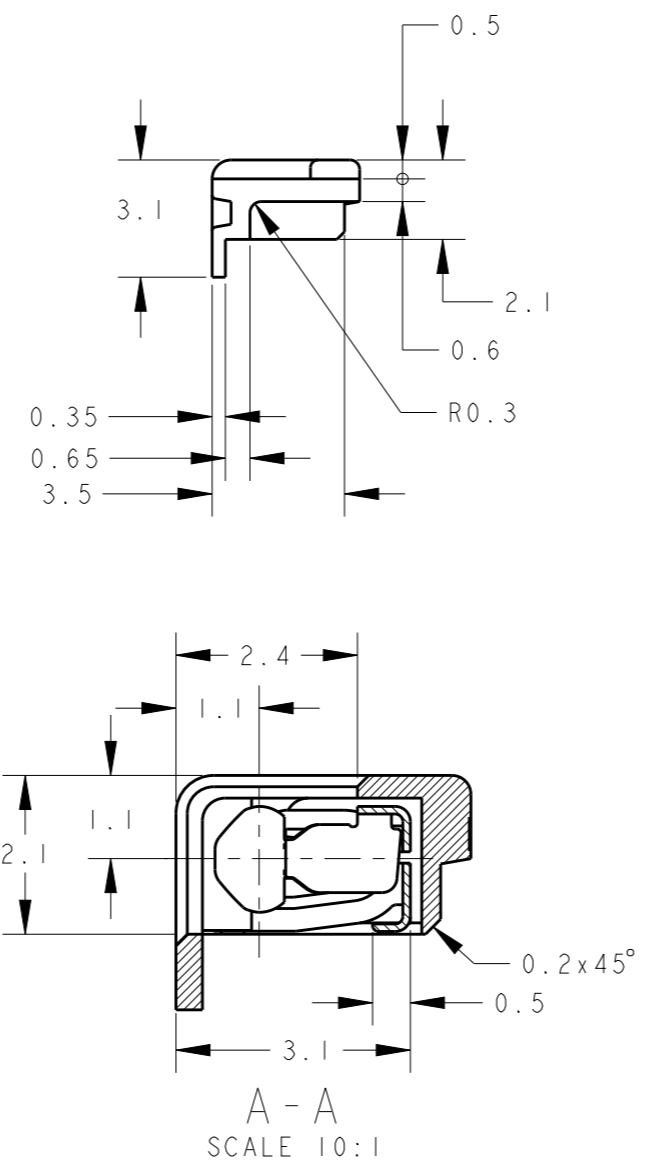
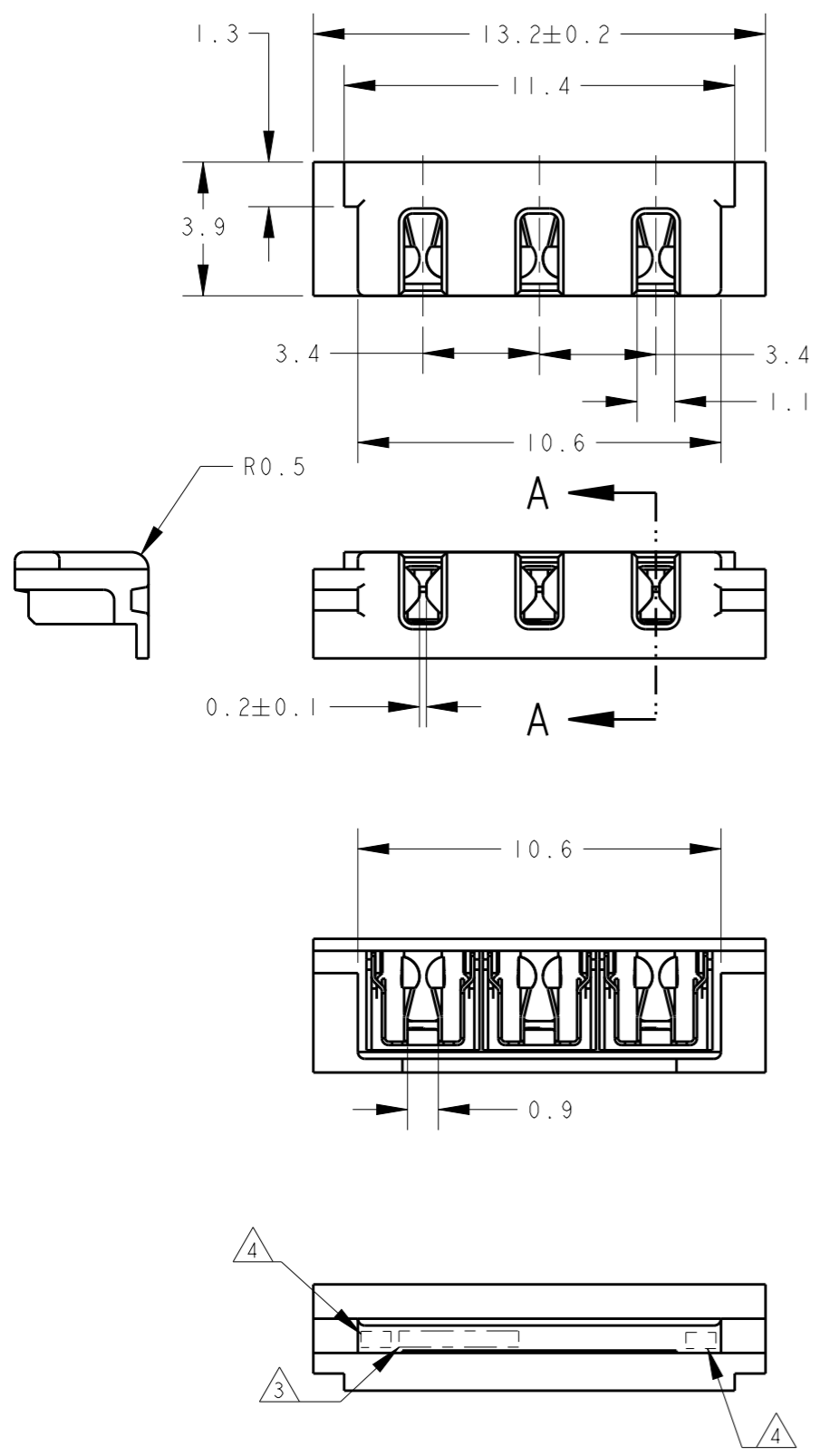
3

2

1

THIS DRAWING IS UNPUBLISHED. RELEASED FOR PUBLICATION 20
 © COPYRIGHT 2007 BY TYCO ELECTRONICS CORPORATION. ALL RIGHTS RESERVED.

LOC	DIST	REVISIONS						
		P	LTR	DESCRIPTION	DATE	DWN	APVD	
J	-	B		REVISED	ECR-13-003023	21FEB2013	T.K	K.K

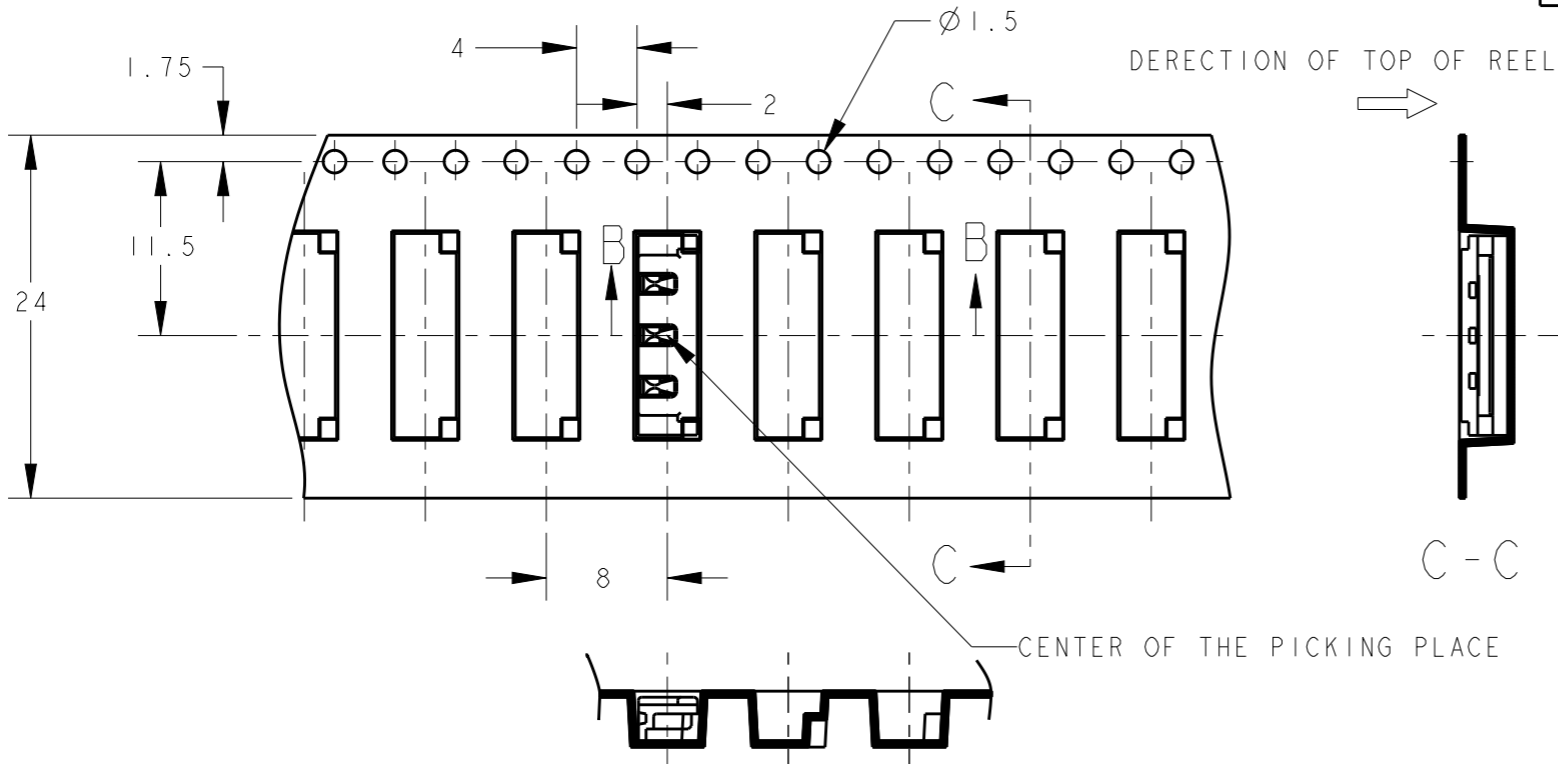


- ① 材料
 コンタクト: 銅合金
 ハウジング: 熱可塑性樹脂
 - ② 仕上げ
 全面ニッケル下地めっき
 接触部: 金めっき
 半田付け部: 金フラッシュめっき
 - ③ テートコード印字
 - ④ モールドキャビティID(1箇所)
- ① MATERIAL
 CONTACT: COPPER ALLOY
 HOUSING: THERMOPLASTIC UL94V-0. BLACK
 - ② FINISH
 CONTACT: NICKEL ALL OVER UNDER PLATING,
 GOLD PLATING AT CONTACT AREA,
 GOLD FLASH PLATING AT LEAD AREA,
 - ③ DATE CODE.
 - ④ MOLD CAVITY ID ON ONE OF THE INDICATED SIDE SURFACE.

THIS DRAWING IS A CONTROLLED DOCUMENT FOR TYCO ELECTRONICS CORPORATION IT IS SUBJECT TO CHANGE AND THE CONTROLLING ENGINEERING ORGANIZATION SHOULD BE CONTACTED FOR THE LATEST REVISION.		DWN T. KATANO 30 JUN 08	Tyco Electronics Corporation Kawasaki, Japan	
DIMENSIONS: 単位: ㎜ mm		CHK K. IKEGAMI 30 JUN 08	NAME 名称 FLOATING BATTERY INTERCONNECTION SYSTEMS RECEPTACLE ASSEMBLY	
TOLERANCES UNLESS OTHERWISE SPECIFIED: 一般公差 ±0.3		APVD K. IKEGAMI 30 JUN 08	PRODUCT SPEC 製品規格 108-78476	
0 PLC ± 1 PLC ± 2 PLC ± 3 PLC ± 4 PLC ± ANGLES ±3°		APPLICATION SPEC 取付適用規格		SIZE A3
MATERIAL 材料	FINISH 仕上	WEIGHT		CAGE CODE -
①	②	CUSTOMER DRAWING		DRAWING NO 番号 C-2013797
2013797-1: AS SHOWN		SCALE 尺度 5:1		RESTRICTED TO - SHEET 1 OF 2 REV B

THIS DRAWING IS UNPUBLISHED. RELEASED FOR PUBLICATION 20
 © COPYRIGHT 2007 BY TYCO ELECTRONICS CORPORATION. ALL RIGHTS RESERVED.

LOC	DIST	REVISIONS					
J	-	P	LTR	DESCRIPTION	DATE	DWN	APVD
		-		SEE SHEET 1	-	-	-

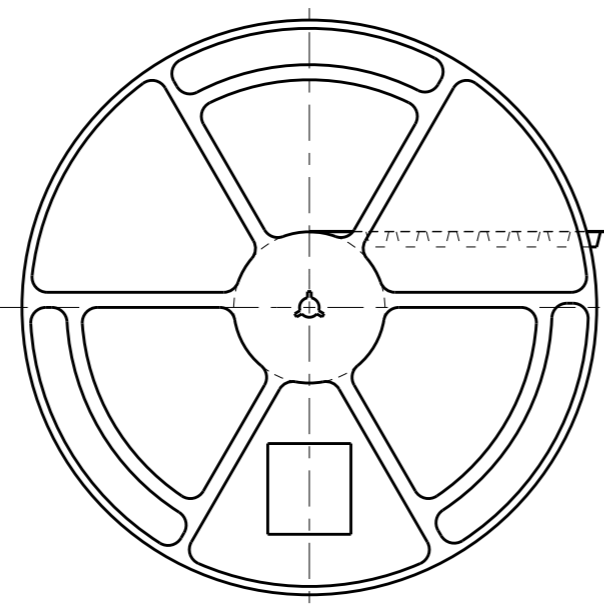


FLANGE CORE DIA
 $\phi 100 \pm 3$

$\phi 330 \pm 3$
 REEL DIA.

24.4 $\begin{smallmatrix} +3 \\ 0 \end{smallmatrix}$

31.5MAX.
 REEL WIDTH



300REF
 空部
 WITHOUT CHARGE

300 REF
 カバーテープリーダ部
 WEEDING THE COVER TAPE.

製品装填部
 WITH PRODUCT CHARGE
 2000個/1リール
 2000EA/1REEL

剥離角度 $165^\circ \sim 180^\circ$
 PEELING ANGLE
 剥離強度: $0.1 \sim 0.7N(300mm/min)$
 PEELING STRENGTH

空部 20穴以上
 WITHOUT CHARGE
 20HOLES MIN.

2013797-1: AS SHOWN

THIS DRAWING IS A CONTROLLED DOCUMENT FOR TYCO ELECTRONICS CORPORATION IT IS SUBJECT TO CHANGE AND THE CONTROLLING ENGINEERING ORGANIZATION SHOULD BE CONTACTED FOR THE LATEST REVISION.	
DIMENSIONS: 単位: 耗 mm	TOLERANCES UNLESS OTHERWISE SPECIFIED: 一般公差 ± 0.3 0-PLC \pm 1-PLC \pm 2-PLC \pm 3-PLC \pm 4-PLC \pm ANGLES $\pm 3^\circ$
MATERIAL 材料	FINISH 仕上

DWN	T. KATANO	30 JUN 08
CHK	K. IKEGAMI	30 JUN 08
APVD	K. IKEGAMI	30 JUN 08
PRODUCT SPEC	108-78476	
APPLICATION SPEC	取付適用規格	
WEIGHT		
CUSTOMER DRAWING		

Tyco Electronics Corporation Kawasaki, Japan		NAME 名称 FLOATING BATTERY INTERCONNECTION SYSTEMS RECEPTACLE ASSEMBLY	
SIZE	CAGE CODE	DRAWING NO 番号	RESTRICTED TO
A3	-	C-2013797	-
SCALE 尺度		SHEET	REV
NTS		2 OF 2	B