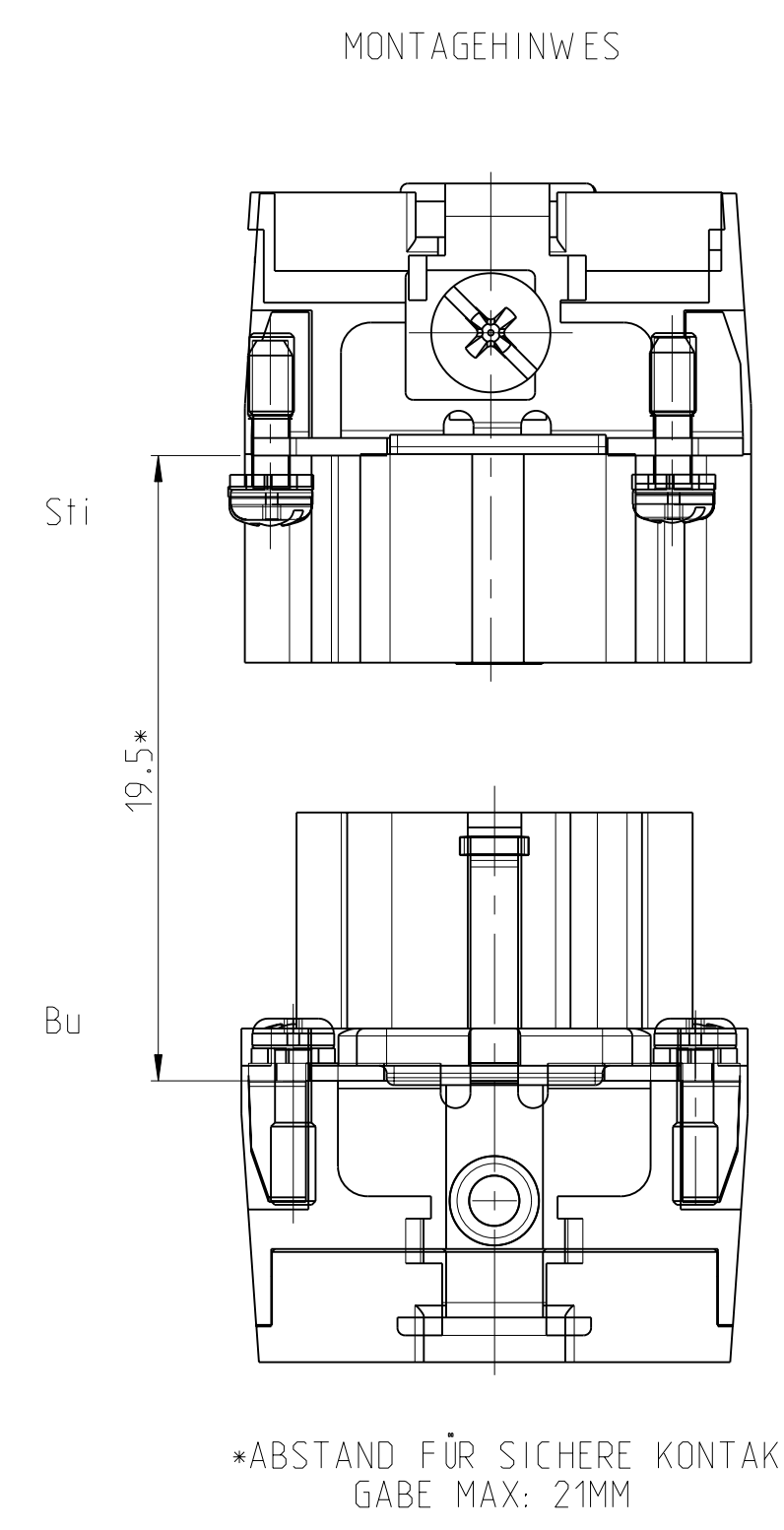
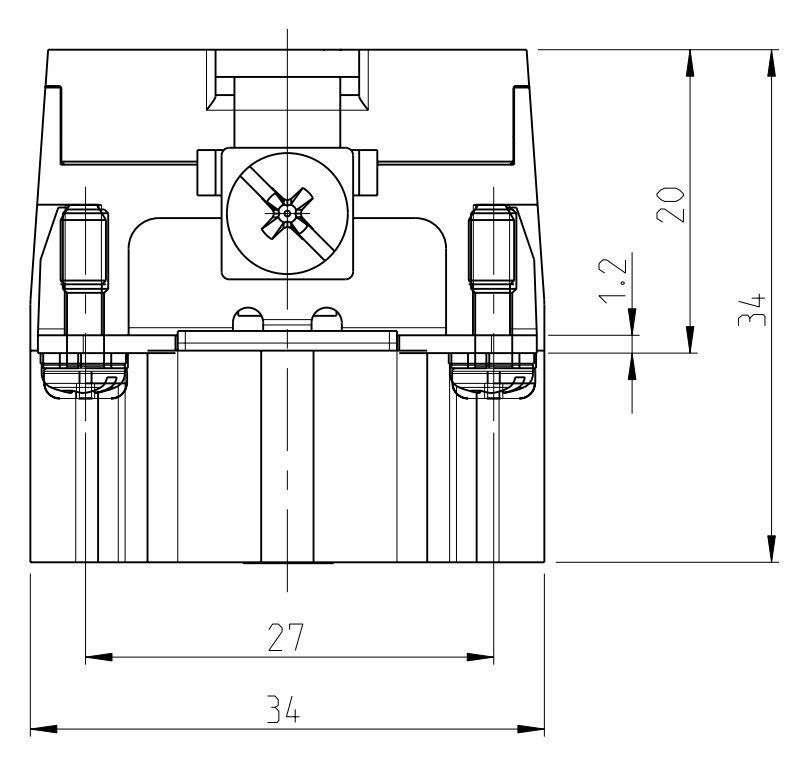
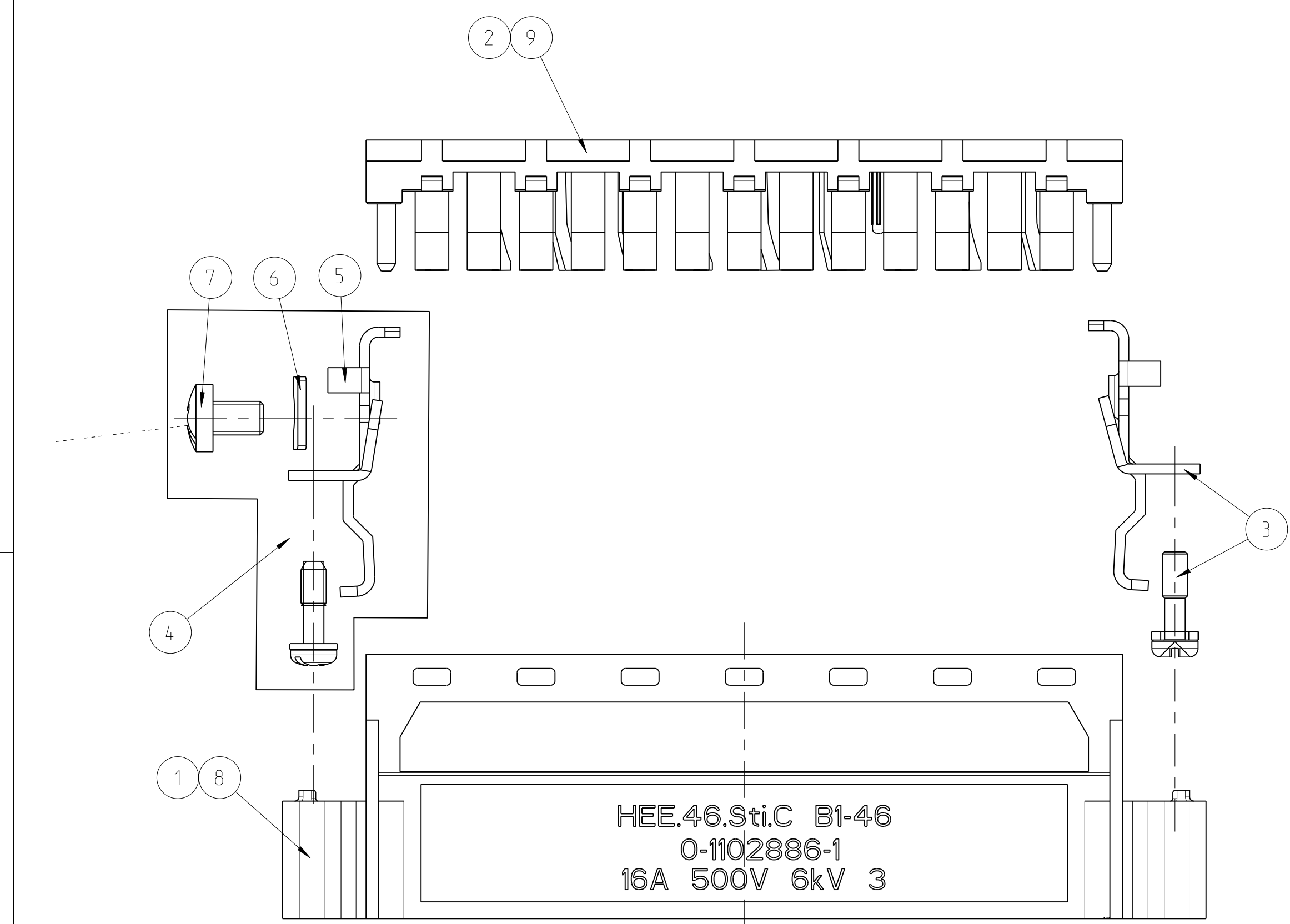
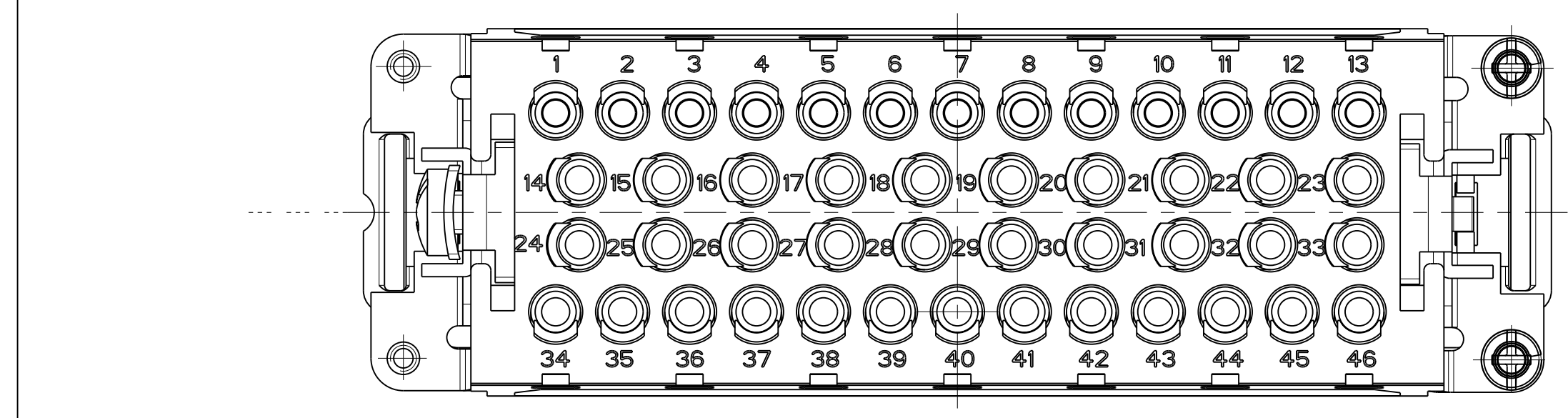


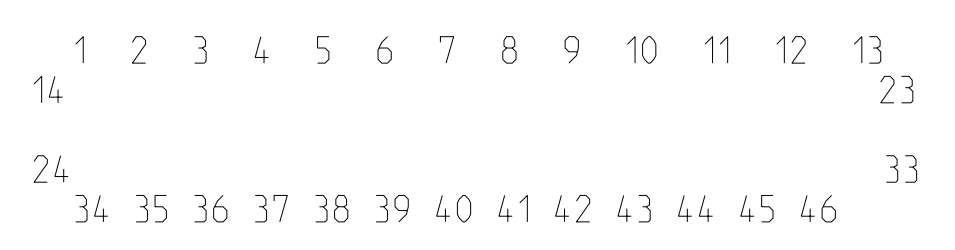
LOC	DIST	REVISIONS					
A1	-	P	LTH	DESCRIPTION	DATE	DWN	APVD
		B4		ECR-11-008436	08SEP2010	SR	AR



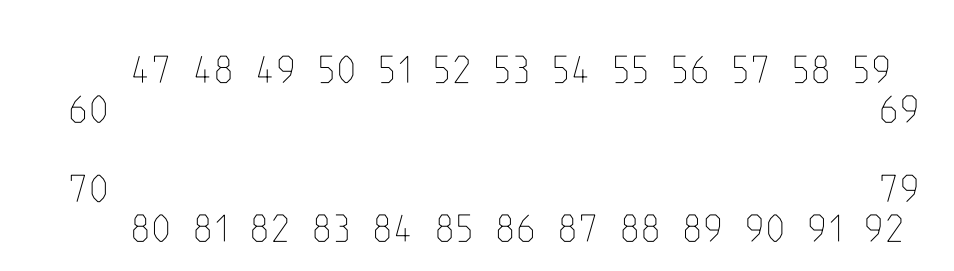
- NOTES
- 1 MATERIAL: LCP-GF
 - 2 PACKAGING QUANTITY 5 PIECES



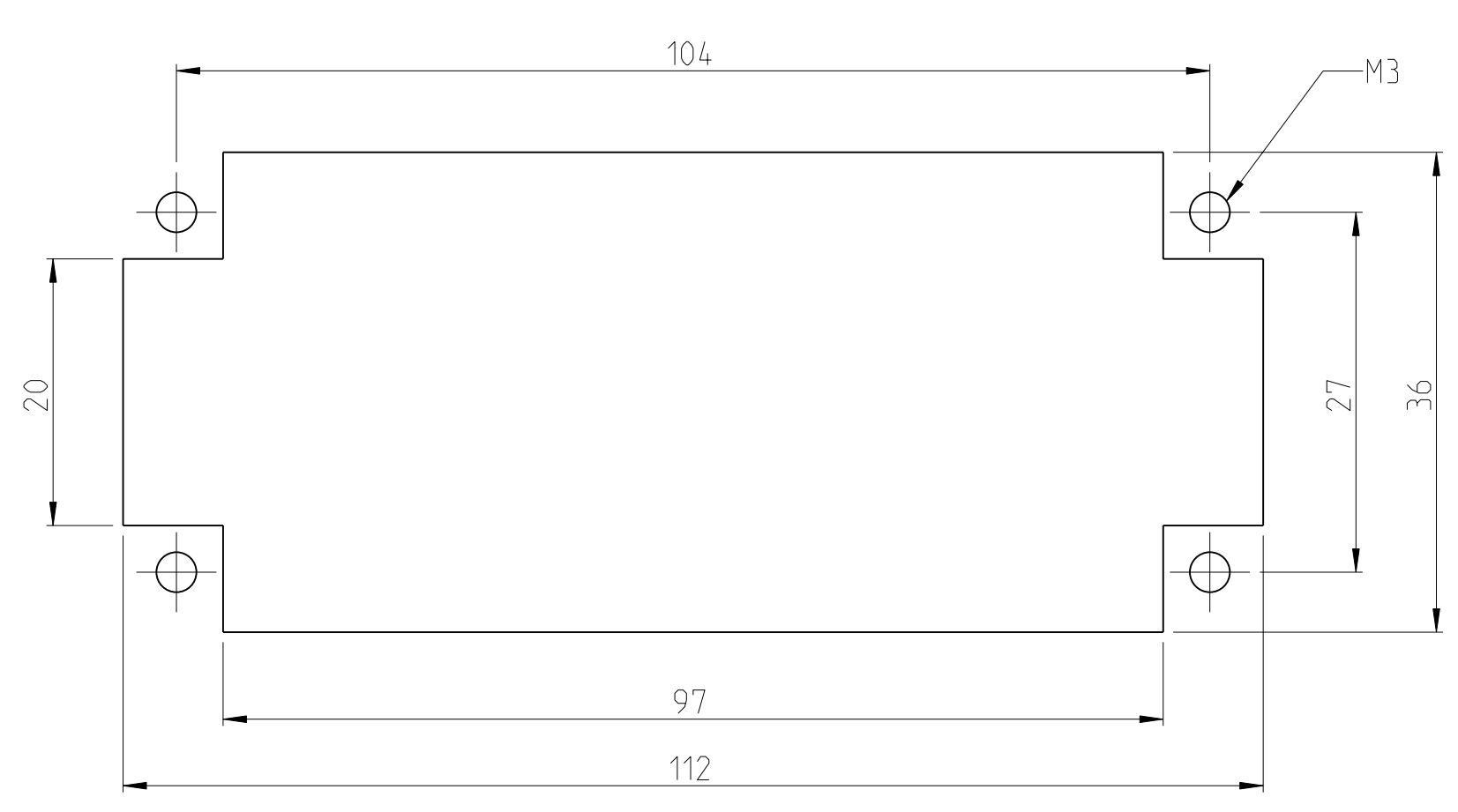
PN 0-1; 0-3; 0-4
 CONTACT ARRANGEMENT
 VIEW FROM CONNECTING SIDE



PN 0-2
 CONTACT ARRANGEMENT
 VIEW FROM CONNECTING SIDE



PANEL CUT-OUT FOR CONTACT INSERT
 WHEN USED WITHOUT HOUSING



1			COVER HEE.46-FS	LCP-GF30	NATURE	9	
1			MALE INSERT HEE.46-FS	LCP-GF30	NATURE	8	
	1		GROUND SCREW	STEEL	BLUE	7	
	1		CLIP TAB	STEEL	BLUE	6	
	2		PROTECTION WIRE CONTACT PIN	STEEL	BLUE	5	
1	1	1	PROTECTION WIRE CONTACT PIN WITH MOUNTING	STEEL	BLUE	4	MOUNTED
1	1	1	PROTECTION WIRE CONTACT PIN	STEEL	BLUE	3	MOUNTED
	1	1	COVER HEE.46	PC GF20	GREY	2	
	1	1	MALE INSERT	PC GF20	GREY	1	
0-4	0-3	0-2	0-1	DESCRIPTION	MATERIAL	COLOR	ITEM
				HEE.46.Sti.C B1-46			
				HEE.46.Sti.C B47-92			
				HEE.46.Sti.C/OBS B1-46			
				HEE.46.Sti.C B1-46-FS			

THIS DRAWING IS A CONTROLLED DOCUMENT.

DIMENSIONS: mm

TOLERANCES UNLESS OTHERWISE SPECIFIED:

9	PLC	±
1	PLC	±
2	PLC	±
3	PLC	±
4	PLC	±
5	PLC	±
6	PLC	±
7	PLC	±
8	PLC	±
9	PLC	±

MATERIAL: - FINISH: -

DWN: R.SCHNEIDER 02.05.02
 CH: M.SCHWELGER 02.05.02
 APVD: -

NAME: MALE INSERT ASSY HEE.46

PRODUCT SPEC: -
 APPLICATION SPEC: -

WEIGHT: -

CUSTOMER DRAW ING

SCALE: 5:1 SHEET: 1 OF 1 REV: B4

4805 (3/11)