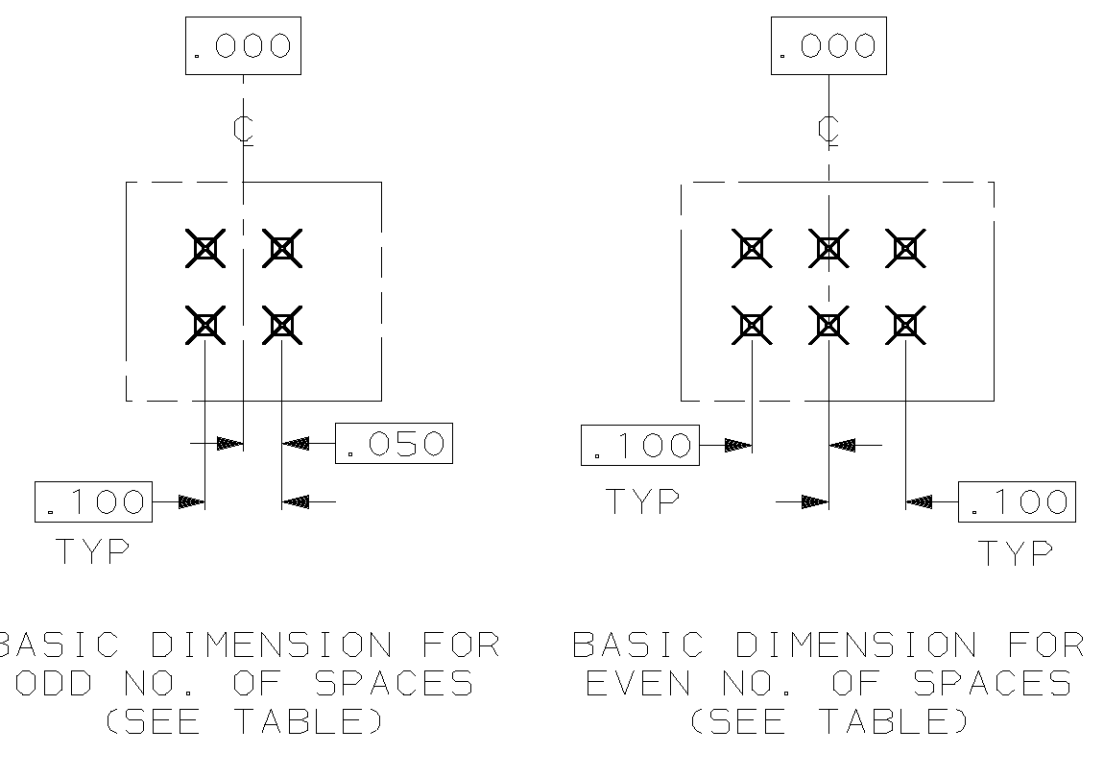
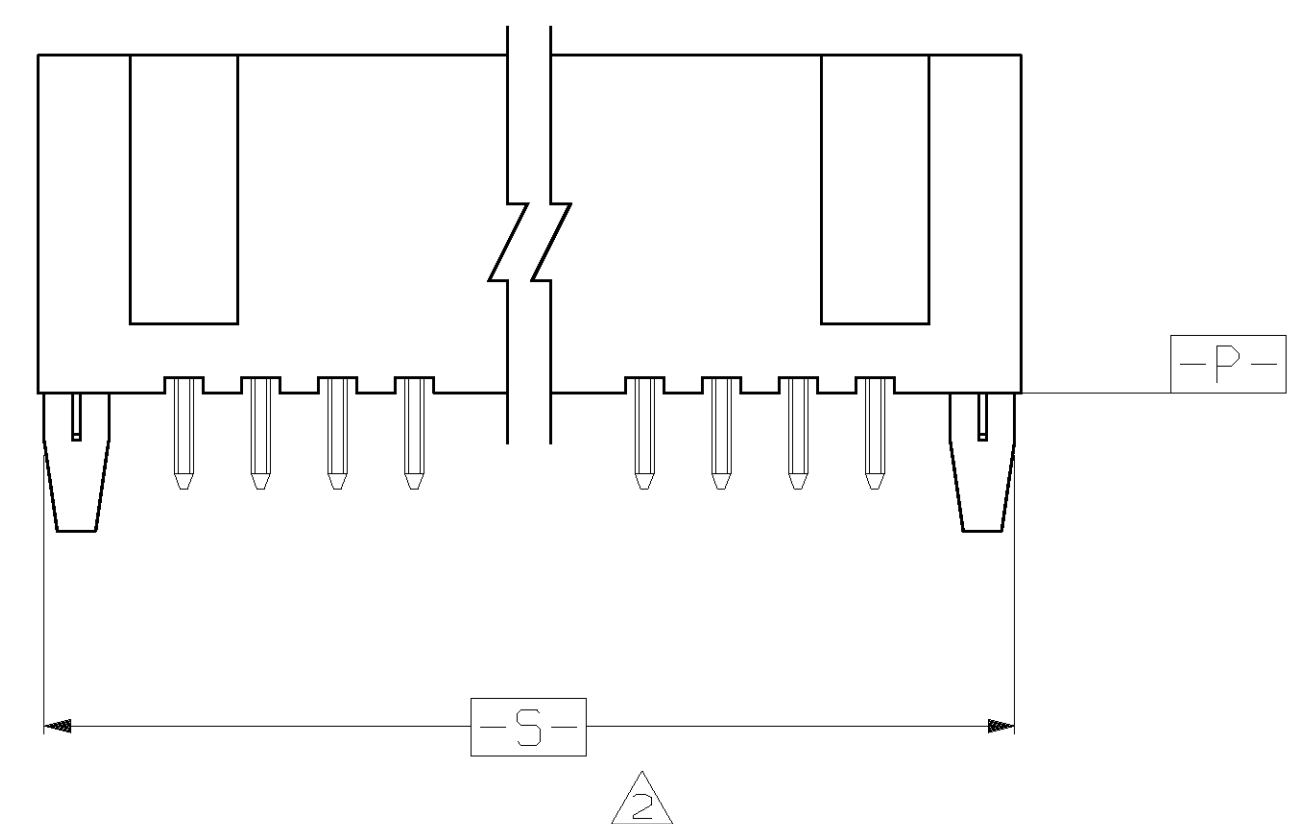
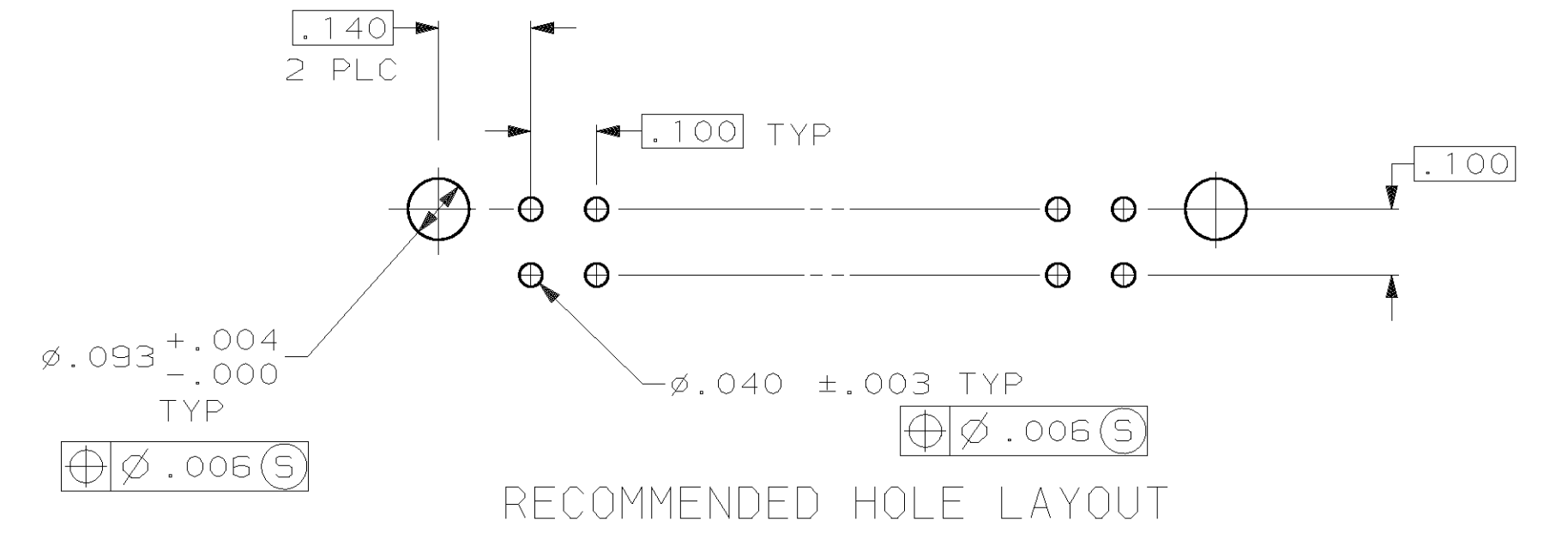
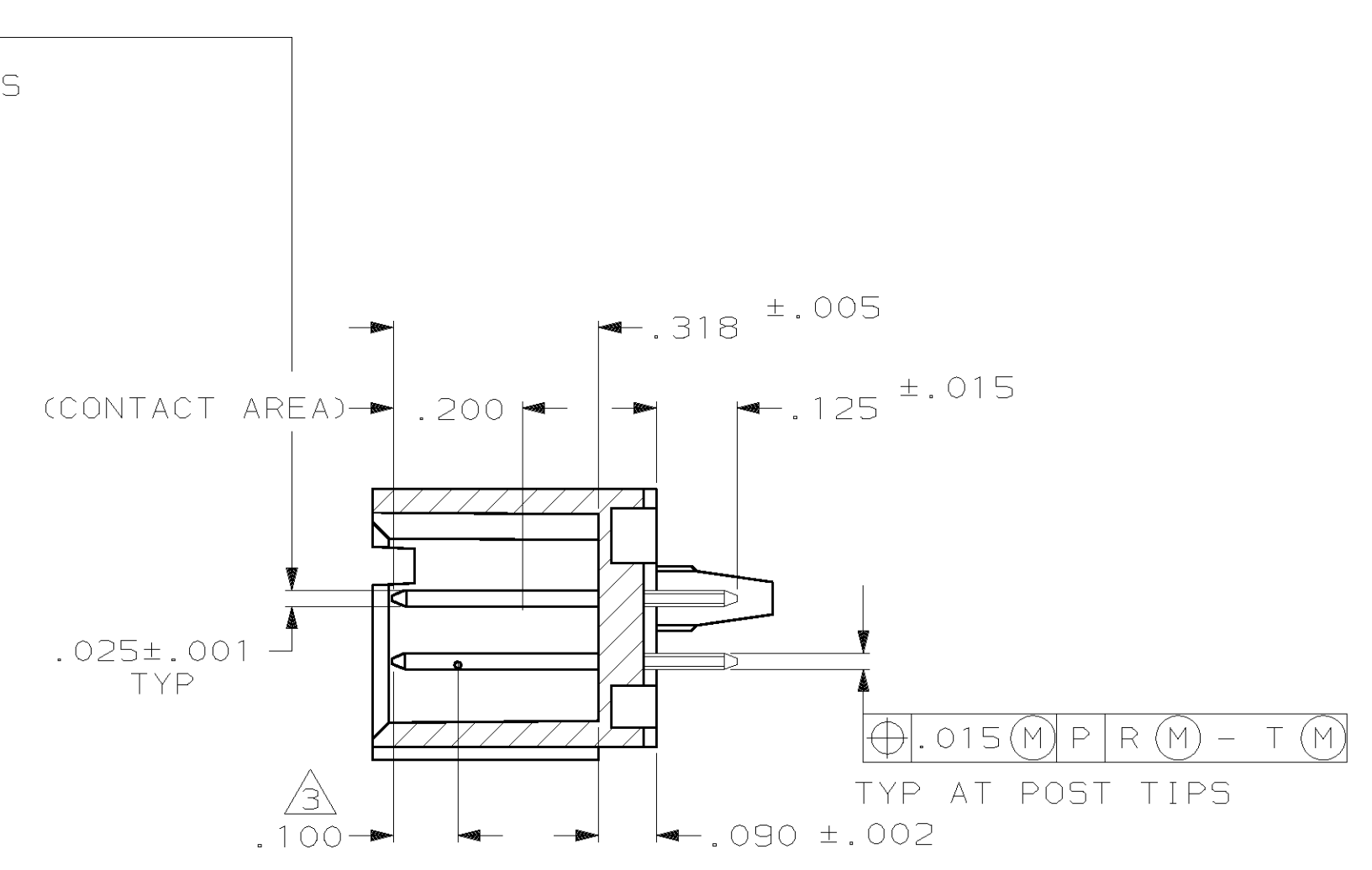
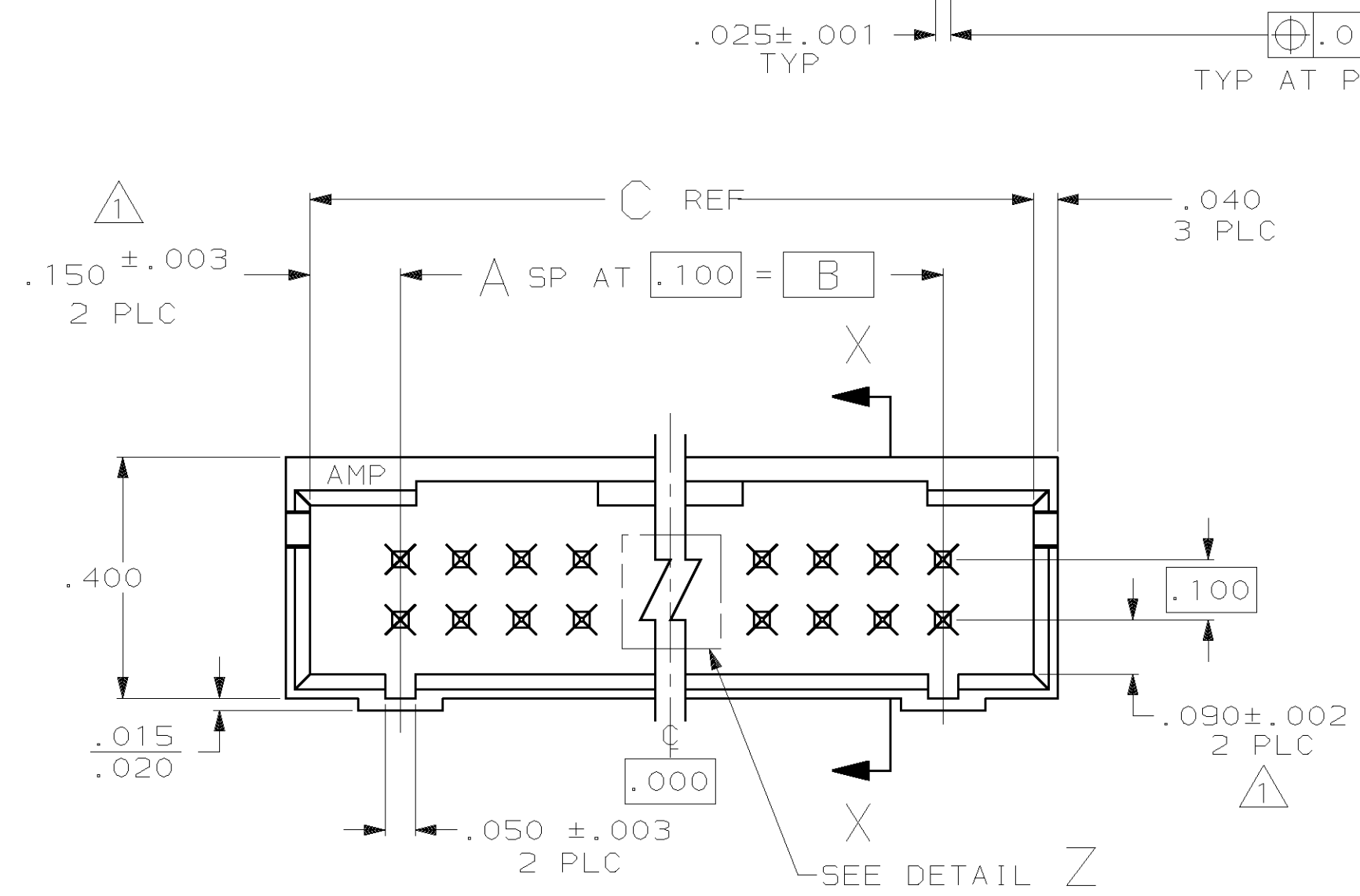
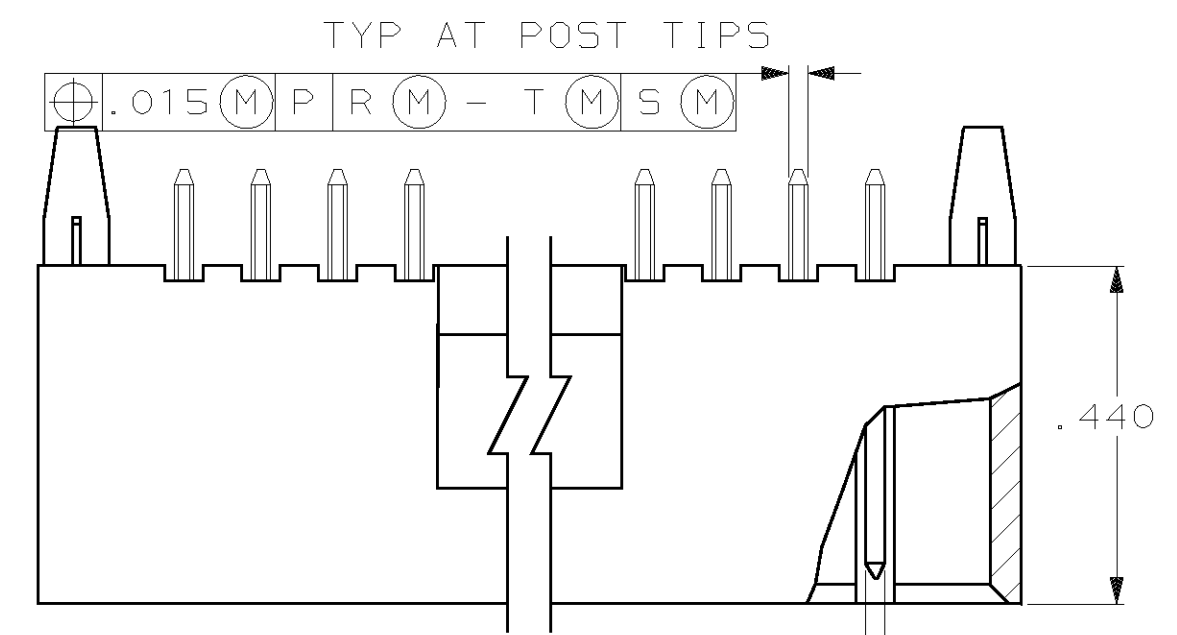


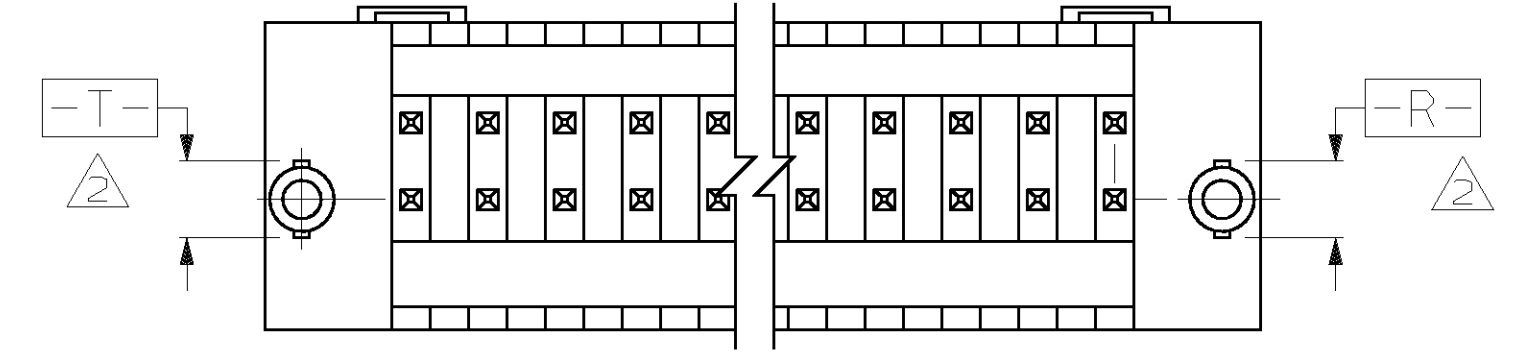
LOC		DIST		P		F		ZONE		LTR		REVISIONS		
AD	39											DESCRIPTION	DATE	APPD
											J	REV PER 063C-0375-02	110CT02	JG

- ① THE NOTED DIMENSIONS APPLY AT THE INTERSECTION OF THE POST AND HOUSING
- ② THE NOTED DIMENSIONS APPLY AT THE INTERSECTION WITH DATUM $\overline{-P-}$
- ③ POINT OF MEASUREMENT FOR PLATING THICKNESS
- ④ PRELIMINARY PART - NOT RELEASED FOR PRODUCTION.



BASIC DIMENSION FOR ODD NO. OF SPACES (SEE TABLE)
 BASIC DIMENSION FOR EVEN NO. OF SPACES (SEE TABLE)

C	B	A	NO OF POSN	ASSEMBLY PART NUMBER
.600	.300	3	8	1-104317-9
1.900	1.600	16	34	1-104317-8
2.000	1.700	17	36	1-104317-7
1.000	.700	7	16	1-104317-6
2.300	2.000	20	42	1-104317-5
2.700	2.400	24	50	1-104317-4
2.600	2.300	23	48	1-104317-3
2.200	1.900	19	40	1-104317-2
1.800	1.500	15	32	1-104317-1
1.700	1.400	14	30	1-104317-0
1.500	1.200	12	26	104317-9
1.400	1.100	11	24	104317-8
1.300	1.000	10	22	104317-7
1.200	.900	9	20	104317-6
1.100	.800	8	18	104317-5
.900	.600	6	14	104317-4
.800	.500	5	12	104317-3
.700	.400	4	10	104317-2
.500	.200	2	6	104317-1



DO NOT SCALE PRINT. UNLESS SPECIFIED DIMENSIONS IN mm (INCHES)		DR 10-19-87 H MOLL		AMP AMP Incorporated Harrisburg, PA 17105-3608	
TOLERANCES ON 3	2 PLC DEC ± .005	CHK 10-19-87 R FEIDT		NAME	HDR ASSY, MOD II, SHROUDED, 4 SIDES, DBL ROW, VERTICAL, .100X.100 CL, WITH .025 SQ POSTS
ANGLES ±		APPD 10-19-87 R FEIDT		MATERIAL HOUSING:	FLAME RETARDANT THERMOPLASTIC, COLOR-BLACK
POSTS: PH05 BRONZE		APPD 10-19-87 R ELICKER		PRODUCT SPEC	
FINISH POSTS:	.000015 GOLD IN CONTACT AREA, .000100-.000200 MATTE TIN-LEAD ON SOLDER TAIL, ALL OVER .000050 NICKEL	APPLICATION SPEC		SIZE	D 00779
		WEIGHT		CAGE CODE	C=
				DRAWING NO	104317
				SCALE	4:1
				SHEET	OF 1

THIS DRAWING IS A CONTROLLED DOCUMENT FOR AMP INCORPORATED. IT IS SUBJECT TO CHANGE AND THE CONTROLLING ENGINEERING ORGANIZATION SHOULD BE CONTACTED FOR THE LATEST REVISION.