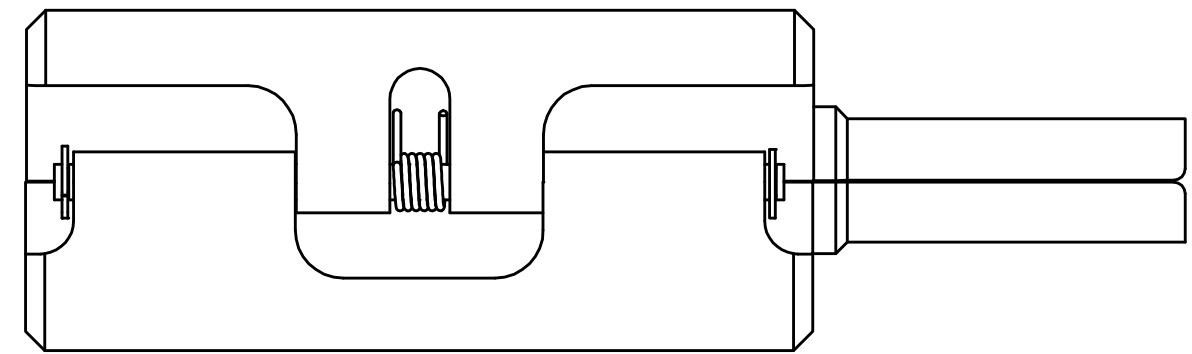
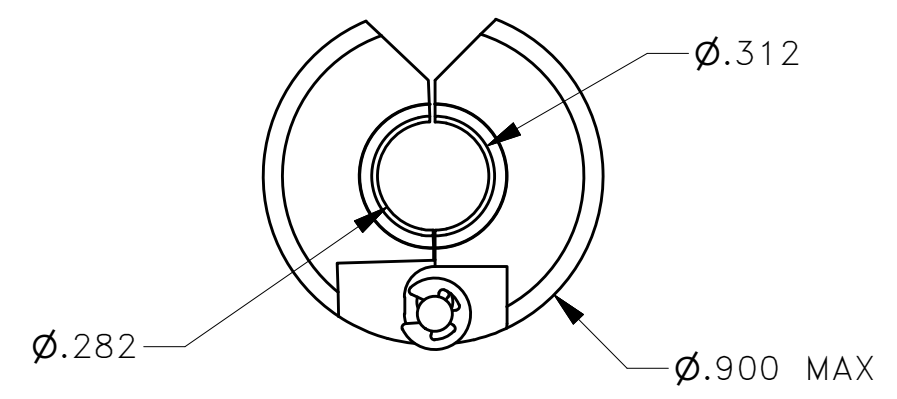
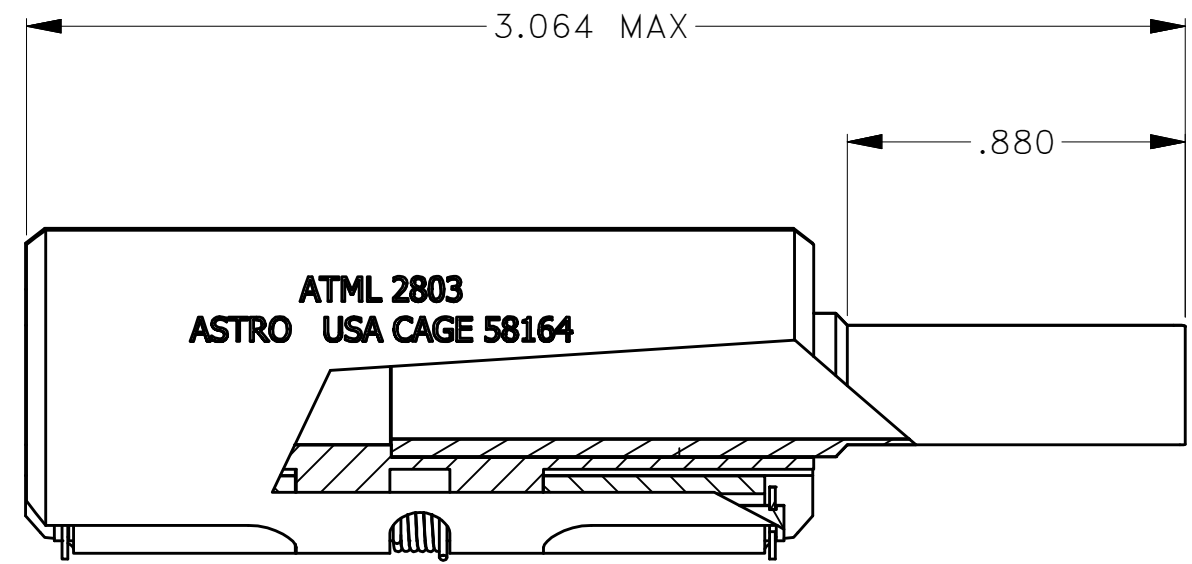


REV SYM		ECO NUMBER	DESCRIPTION	BY DATE	APP'D DATE
1		---	INITIAL RELEASE		MK 6/3/15



**UNCONTROLLED DOCUMENT
WILL NOT BE UPDATED**

NOTES:
 1. THIS IS AN ICAD DRAWING. DO NOT CHANGE MANUALLY.
 2. REF: FUNCTIONAL EQUIVALENT TO M0081969/28-03 (NOT QUALIFIED).

THESE DRAWINGS, SPECIFICATIONS OR OTHER DATA ARE THE PROPERTY OF ASTRO TOOL CORP. AND MUST BE RETURNED UPON REQUEST. THEY CONTAIN INFORMATION OWNED AND/OR DEVELOPED BY ASTRO AT ITS OWN PRIVATE EXPENSE AND MAY NOT BE USED, DUPLICATED OR DISCLOSED TO OTHERS, IN WHOLE OR IN PART FOR DESIGN, MANUFACTURE, OR PROCUREMENT WITHOUT THE WRITTEN PERMISSION OF ASTRO TOOL CORP. EACH AND EVERY TIME. CREATED FROM AN INVENTOR MODEL. CHANGES MUST BE REFLECTED IN THE 3D PART DO NOT SCALE DRAWING	MATERIAL	N/A	ITEM	PART NO.	QTY.	DESCRIPTION/REMARKS
	HEAT TREAT	N/A	DRN.	DYO	DATE	6/3/15
	FINISH	N/A	CHK'D.	DYO	DATE	6/3/15
			APP'D.		DATE	
			TOLERANCE:		UNLESS OTHERWISE SPECIFIED FRACTIONS ± 1/32 ANGLES ± 1° DECIMAL INCHES: .X ± .030 .XX ± .010 .XXX ± .005 .XXXX ± .0005 REMOVE BURRS AND BREAK SHARP EDGES .005-.015	
			ASTRO TOOL CORP		CAGE 58164	
			21615 S.W. THIALATIN VALLEY HWY. BEAVERTON OR 97003			
			TITLE		ENVELOPE DRAWING: ATML 2803 REF: M0081969/28-03	
			WHERE USED:			
			SIZE	SCALE	CAD P/N	SHEET OF
			B	2:1	ATML 2803_ENV	1 1
			POSTING	P/N	ATML 2803-ENV	REV. A