

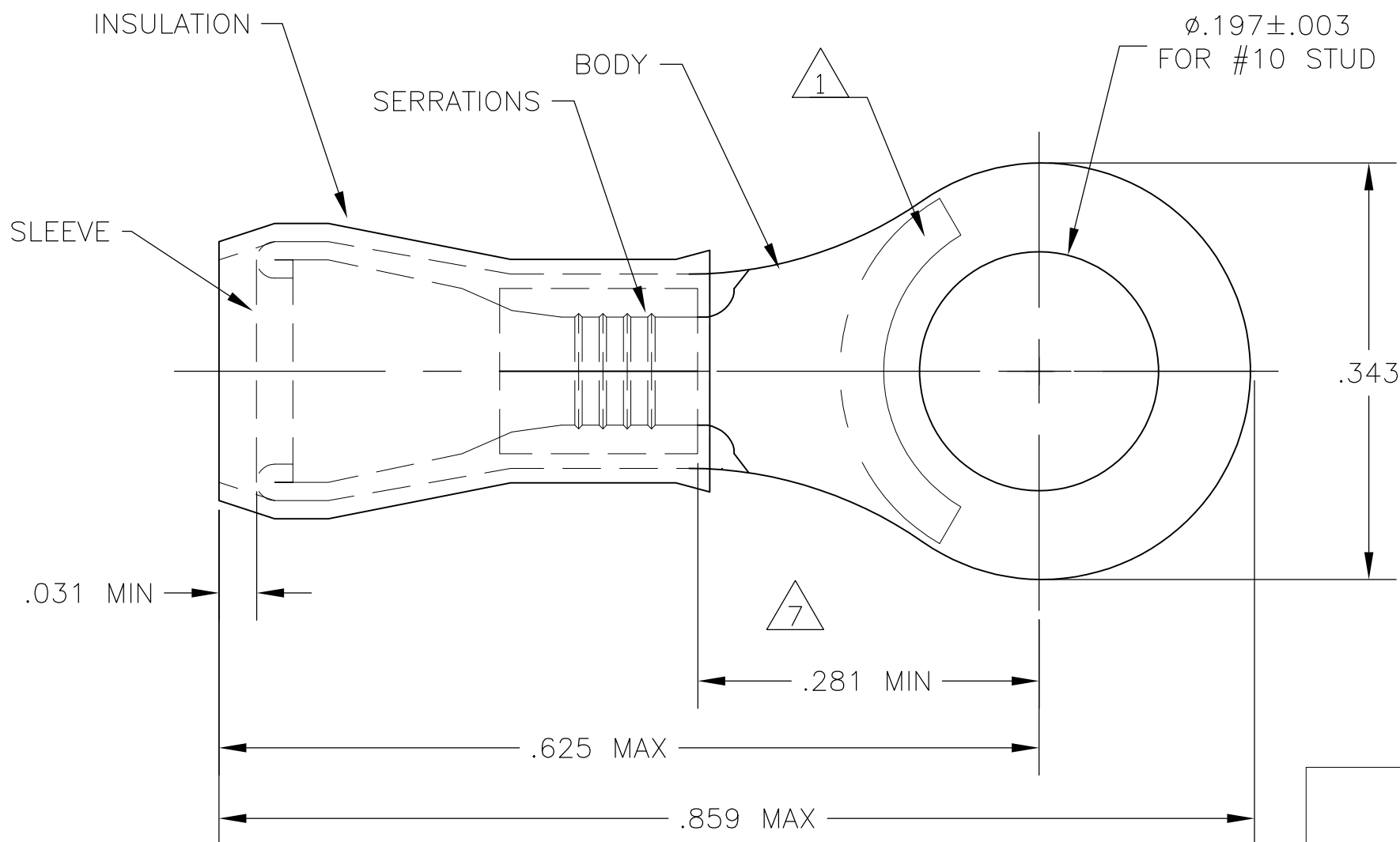
THIS DRAWING IS UNPUBLISHED. RELEASED FOR PUBLICATION  
 © COPYRIGHT BY TYCO ELECTRONICS CORPORATION. ALL INTERNATIONAL RIGHTS RESERVED.

LOC	DIST	REVISIONS					
G	14	P	LTR	DESCRIPTION	DATE	DWN	APVD
		V		REV PER ECR 10-003079	03MAR10	JR	TM

**AMP**  
WIRE RANGE

---

16-14 AWG  
SOLID OR STRANDED



- 1 STAMP AMP 16-14\*, APPROX AS SHOWN.
- 2 TONGUE THICKNESS IS  $.031 \pm .002$
- 3 FOR .105-.150 WIRE INSULATION DIA
- 4 MAX RECOMMENDED OPERATING TEMP IS 105°C.
- 5 300 VOLT MAX RATING.
- 6 WIRE CROSS SECTIONAL AREA RANGE 1.04-2.62mm [2,050-5,180 CIR MILS]
- 7 APPLIES FROM EDGE OF METAL WIRE BBL TO CENTER OF STUD HOLE.

1000	LOOSE PIECE	BODY & SLEEVE: COPPER PER ASTM B152 TIN PL. PER ASTM B-545  INSULATION: PVC COLOR: BLUE	31900
QTY	PACKAGING	MATERIAL / FINISH	PART NO

THIS DRAWING IS A CONTROLLED DOCUMENT.		DWN jr_ruth 03MAR10	Tyco Electronics Corporation Harrisburg, PA 17105-3608	
DIMENSIONS: INCHES		CHK T MICHIELUTTI 03MAR10	NAME	
TOLERANCES UNLESS OTHERWISE SPECIFIED:		APVD T MICHIELUTTI 03MAR10	WIRE TERMINAL PIDG, RING TONGUE WIRE SIZE: 16-14	
0 PLC ± -		PRODUCT SPEC	SIZE	CAGE CODE
1 PLC ± -		APPLICATION SPEC	114-2157	DRAWING NO
2 PLC ± -		WEIGHT	-	RESTRICTED TO
3 PLC ± .008		A3 00779 C-31900		
4 PLC ± -		CUSTOMER DRAWING		
ANGLES ± 1°		SCALE	8:1	SHEET
MATERIAL SEE TABLE		FINISH SEE TABLE		1 OF 1
		REV		V