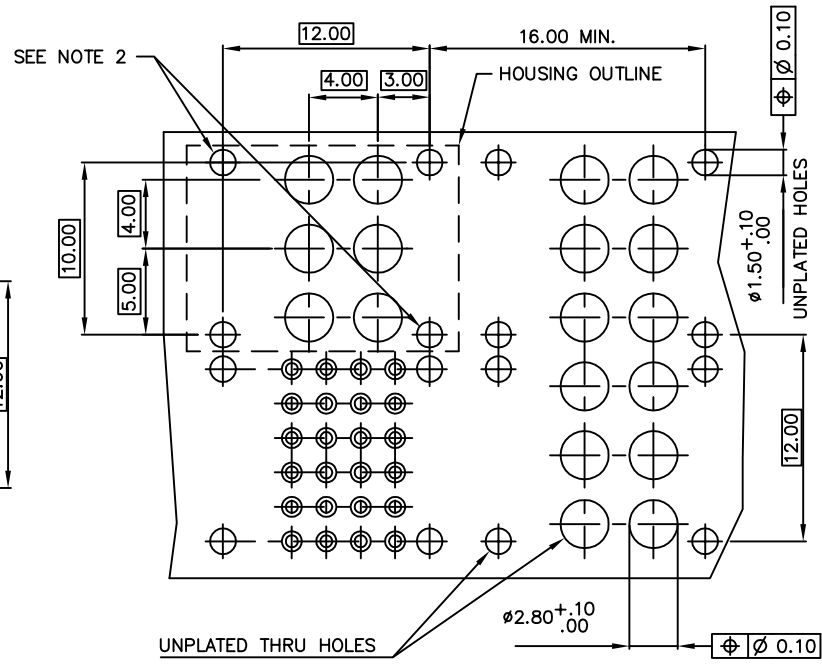
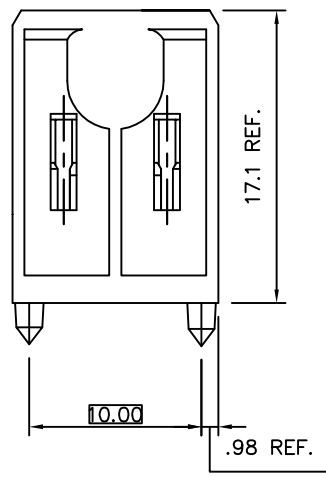
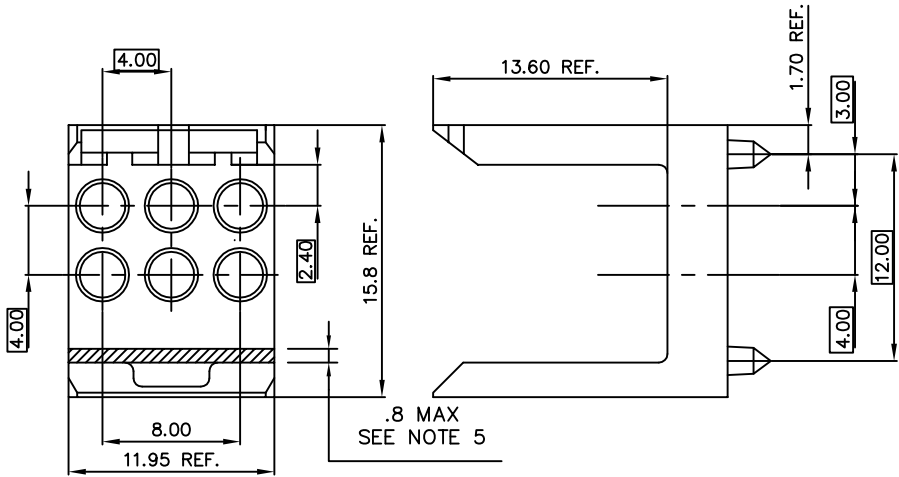


PRODUCT NUMBER
88913-101LF



RECOMMENDED HOLE PATTERN COMPONENT SIDE
2MM SIGNAL HOLE PATTERN SHOWN FOR REFERENCE ONLY

NOTES:

1. MATERIAL: LCP, 30% GLASS FILLED
COLOR: NATURAL
FLAME RETARDANT ACC. UL 94-V0
2. THESE HOLES NEEDED WHEN USED IN A CENTER PLANE APPLICATION WITH A HYBRID ON EACH SIDE OF THE CENTER PLANE.
3. THE -101LF (SHEET 1) HOUSING IS TO BE USED WITH MINI-COAX PLUG/PLUG INSERTS, 70296-002LF.
4. THE -111LF (SHT 2) AND -121LF (SHT 3) HOUSING, IS TO BE USED WITH MINI-COAX INSERTS 88971 OR 88978.
5. THIS AREA MAY CONTAIN IDENTIFICATION SUCH AS MOLD NUMBER, MOLD CAVITY NUMBER AND/OR MANUFACTURING LOCATION.

6. PART NUMBER WITH "LF" SUFFIX AT THE END IS LEAD FREE.

7. THIS PRODUCT MEETS EUROPEAN UNION DIRECTIVES AND OTHER COUNTRY REGULATION AS DESCRIBED IN GS-22-008.

8. THE HOUSING WILL WITHSTAND EXPOSURE TO 260°C PEAK TEMPERATURE FOR 15 SECONDS IN A WAVE SOLDER APPLICATION WITH A 1.5mm MINIMUM THICK CIRCUIT BOARD OR FOR 10-20 SECONDS IN A CONVECTION, INFRA-RED OR VAPOR PHASE REFLOW OVEN. SEE APPLICATION NOTES/PROCEDURES IF THEY ARE AVAILABLE.

mat'l. code		surface		tolerance		projection		product family	
SEE NOTES		ISO 1302		ISO 406		MM		METRAL ACC	
				ISO 1101					
		tolerances unless otherwise specified						title	
Ltr	ecn no	dr	date	angles	linear			12mm MINI-HYBRID HEADER HOUSING	
H	V20777	CGD	4/23/02		.0±.3				
J	V21256	CGD	6/24/02		.00±.13				
K	V21707	TAB	10/30/02	0°±2'	.000±.0051	scale 1:1			
L	J03-0127	PJ	01/03/04	dr	S.STONER	6/11/92		dwg no	
M	M06-0055	MHT	2/01/06	enrg	R.DOUTRICH	6/11/92		sheet 1 of 3	
N	M06-0277	MHT	7/22/06	chr	S.STONER	6/11/92		size	
P	DG10-0263	TER	2010-07-15	appd	S.STONER	6/11/92		A3	
sheet		revision		P		P		FCJ	
index		sheet		1		2		3	

PDM: Rev:P

STATUS: Released

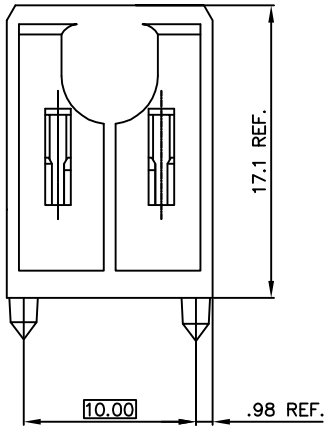
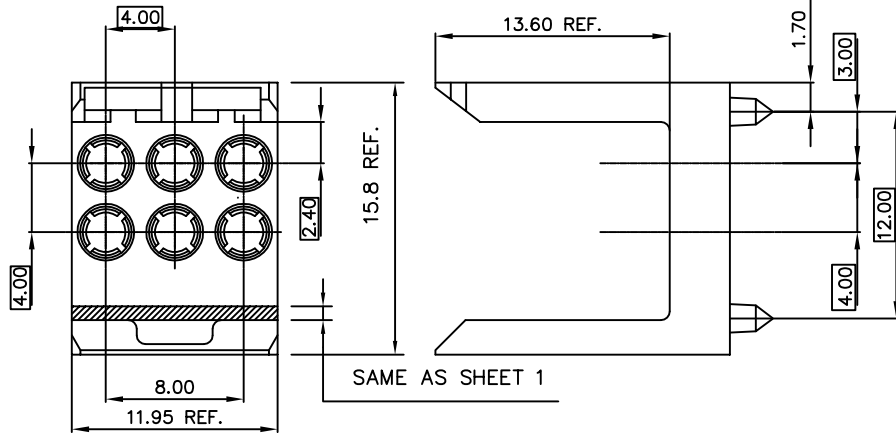
Printed: Jul 16, 2010



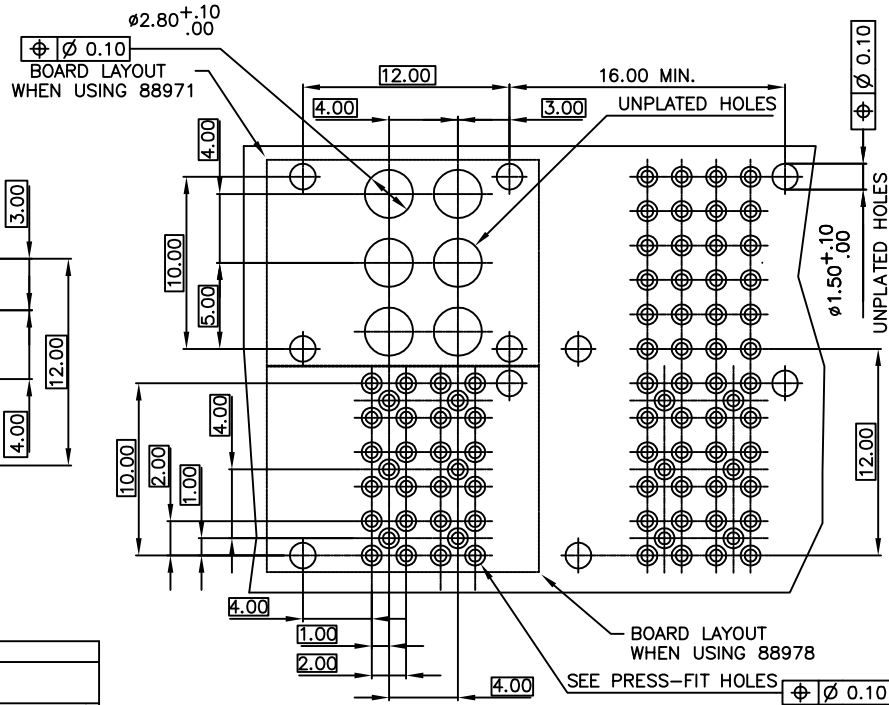
FCIconnect.com

Copyright FCI

PRODUCT NUMBER
88913-111LF



PRESS-FIT HOLES	
HOLE DIAMETER AFTER PLATING	0.65 - 0.80
DRILLED HOLE	0.81 - 0.86 (0.85 DRILL)
COPPER PLATING	0.025 MIN.
TIN PLATING	0.005 - 0.015



RECOMMENDED HOLE PATTERN COMPONENT SIDE
2MM SIGNAL HOLE PATTERN SHOWN FOR REFERENCE ONLY

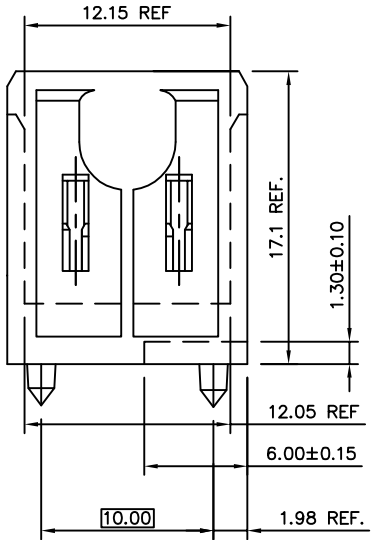
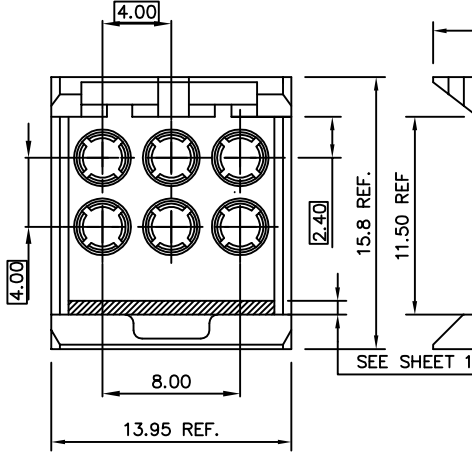
NOTES:

- MATERIAL: LCP, 30% GLASS FILLED
COLOR: NATURAL
FLAME RETARDANT ACC. UL 94-V0
- THE -111LF AND -121LF (SHEET 3) HOUSING IS TO BE USED WITH THE PRESS-FIT TO BOARD MINI-COAX INSERT, 88978-001LF OR MINI-COAX PLUG/PLUG COUPLERS, 88971-002LF.

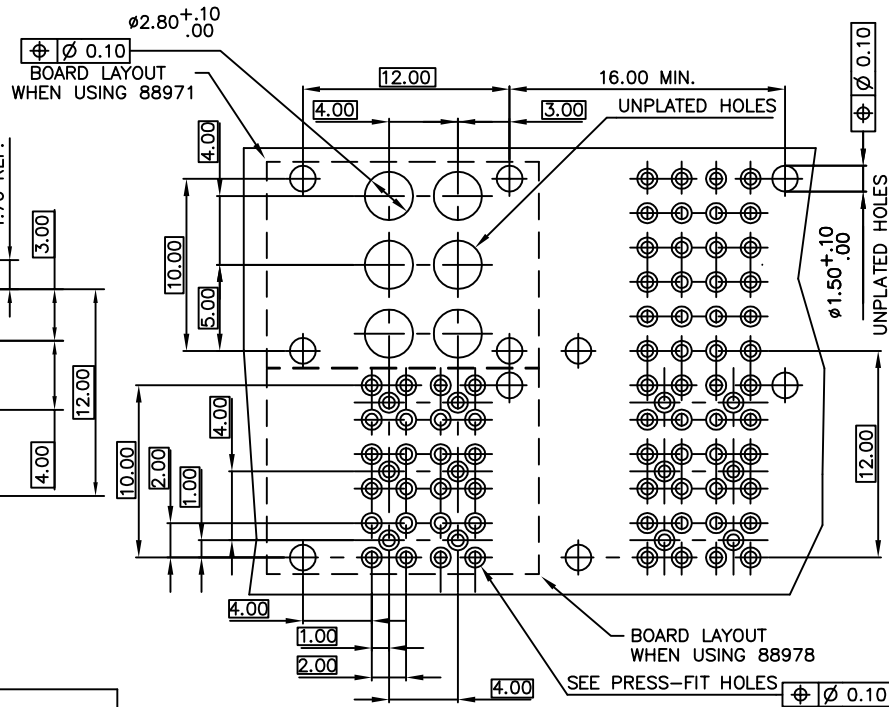
- PART NUMBER WITH "LF" SUFFIX AT THE END IS LEAD FREE.
- THIS PRODUCT MEETS EUROPEAN UNION DIRECTIVES AND OTHER COUNTRY REGULATION AS DESCRIBED IN GS-22-008.
- THE HOUSING WILL WITHSTAND EXPOSURE TO 260°C PEAK TEMPERATURE FOR 15 SECONDS IN A WAVE SOLDER APPLICATION WITH A 1.5mm MINIMUM THICK CIRCUIT BOARD OR FOR 10-20 SECONDS IN A CONVECTION, INFRA-RED OR VAPOR PHASE REFLOW OVEN. SEE APPLICATION NOTES/PROCEDURES IF THEY ARE AVAILABLE.

mat'l. code		surface		tolerance		projection		product family	
SEE NOTES		ISO 1302		ISO 406		MM		METRAL ACC	
ecn no		dr		date		tolerances unless otherwise specified		title	
P						.0±.3		12mm MINI-HYBRID	
						.00±.13		HEADER HOUSING	
						0'±2'		scale 1:1	
		dr		S.STONER		6/11/92		dwg no	
		enr		R.DOUTRICH		6/11/92		sheet 2 of 3	
		chr		S.STONER		6/11/92		size	
		appd		S.STONER		6/11/92		A3	
sheet index		revision sheet						type Product Customer Drawing	

PRODUCT NUMBER
88913-121LF



PRESS-FIT HOLES	
HOLE DIAMETER AFTER PLATING	0.65 - 0.80
DRILLED HOLE	0.81 - 0.86 (0.85 DRILL)
COPPER PLATING	0.025 MIN.
TIN PLATING	0.005 - 0.015



RECOMMENDED HOLE PATTERN COMPONENT SIDE
2MM SIGNAL HOLE PATTERN SHOWN FOR REFERENCE ONLY

- ③ PART NUMBER WITH "LF" SUFFIX AT THE END IS LEAD FREE.
- 4. THIS PRODUCT MEETS EUROPEAN UNION DIRECTIVES AND OTHER COUNTRY REGULATION AS DESCRIBED IN GS-22-008.
- 5. THE HOUSING WILL WITHSTAND EXPOSURE TO 260°C PEAK TEMPERATURE FOR 15 SECONDS IN A WAVE SOLDER APPLICATION WITH A 1.5mm MINIMUM THICK CIRCUIT BOARD OR FOR 10-20 SECONDS IN A CONVECTION, INFRA-RED OR VAPOR PHASE REFLOW OVEN. SEE APPLICATION NOTES/PROCEDURES IF THEY ARE AVAILABLE.

- NOTES:
1. MATERIAL: LCP, 30% GLASS FILLED, FLAME RETARDANT ACC. UL 94-V0
COLOR: NATURAL
 2. THE -111LF AND -121LF (SHEET 3) HOUSING IS TO BE USED WITH THE PRESS-FIT TO BOARD MINI-COAX INSERT, 88978-001LF OR MINI-COAX PLUG/PLUG COUPLERS, 88971-002LF.

mat'l. code		surface		tolerance		projection		product family	
SEE NOTES		ISO 1302		ISO 406		MM		METRAL ACC	
Ltr		ecn no		dr		date		title	
P								12mm MINI-HYBRID HEADER HOUSING	
		angles		linear		.0±.3		dwg no	
		0°±2'				.00±.13		sheet 3 of 3	
						.000±.0051		size	
		dr		S.STONER		6/11/92		A3	
		enrg		R.DOUTRICH		6/11/92		88913	
		chr		S.STONER		6/11/92		type	
		appd		S.STONER		6/11/92		Product Customer Drawing	
sheet index		revision sheet							