

**CUSTOMER DRAWING**

**CATALOG # 15SRB2**

ECN #	APPRVD.	DATE
	PJD	02MAY07

**SAFETY ORGANIZATIONS**

THIS FILTER HAS BEEN FORMALLY RECOGNIZED, CERTIFIED OR APPROVED BY THE LISTED AGENCY. THEREFORE, ALL TEST/REQUIREMENTS SPECIFIED IN THE LATEST REVISION OF THE FOLLOWING AGENCY STANDARDS HAVE BEEN MET:

UL RECOGNIZED: UL 1283  
 CSA CERTIFIED: CSA 22.2, # 0.0.4.8  
 VDE APPROVED: EN 133 200

**OPERATING SPECIFICATIONS**

LINE CURRENT/VOLTAGE: 15 AMP, 120/250 VAC,  
 10 AMP/40°C, 250 VAC

LINE FREQUENCY: 50-60Hz

MAXIMUM LEAKAGE CURRENT,  
 EACH LINE TO GROUND: 2 µA @ 120V 50Hz  
 5 µA @ 250V 50Hz

OPERATING AMBIENT TEMP. RANGE: -10°C TO +40°C @ RATED CURRENT, I<sub>r</sub>.

IN AN AMBIENT, T<sub>a</sub>, HIGHER THAN 40°C, THE MAXIMUM OPERATING CURRENT, I<sub>o</sub>, IS AS FOLLOWS:

$$I_o = I_r \sqrt{\frac{100 - T_a}{60}}$$

**RELIABILITY SPECIFICATIONS:**

STORAGE TEMPERATURE: -40°C TO +85°C  
 HUMIDITY: 21 DAYS @ 40°C 95% RH.  
 CURRENT OVERLOAD TEST: 6 TIMES I<sub>r</sub> FOR 8 SECONDS

**TEST SPECIFICATIONS:**

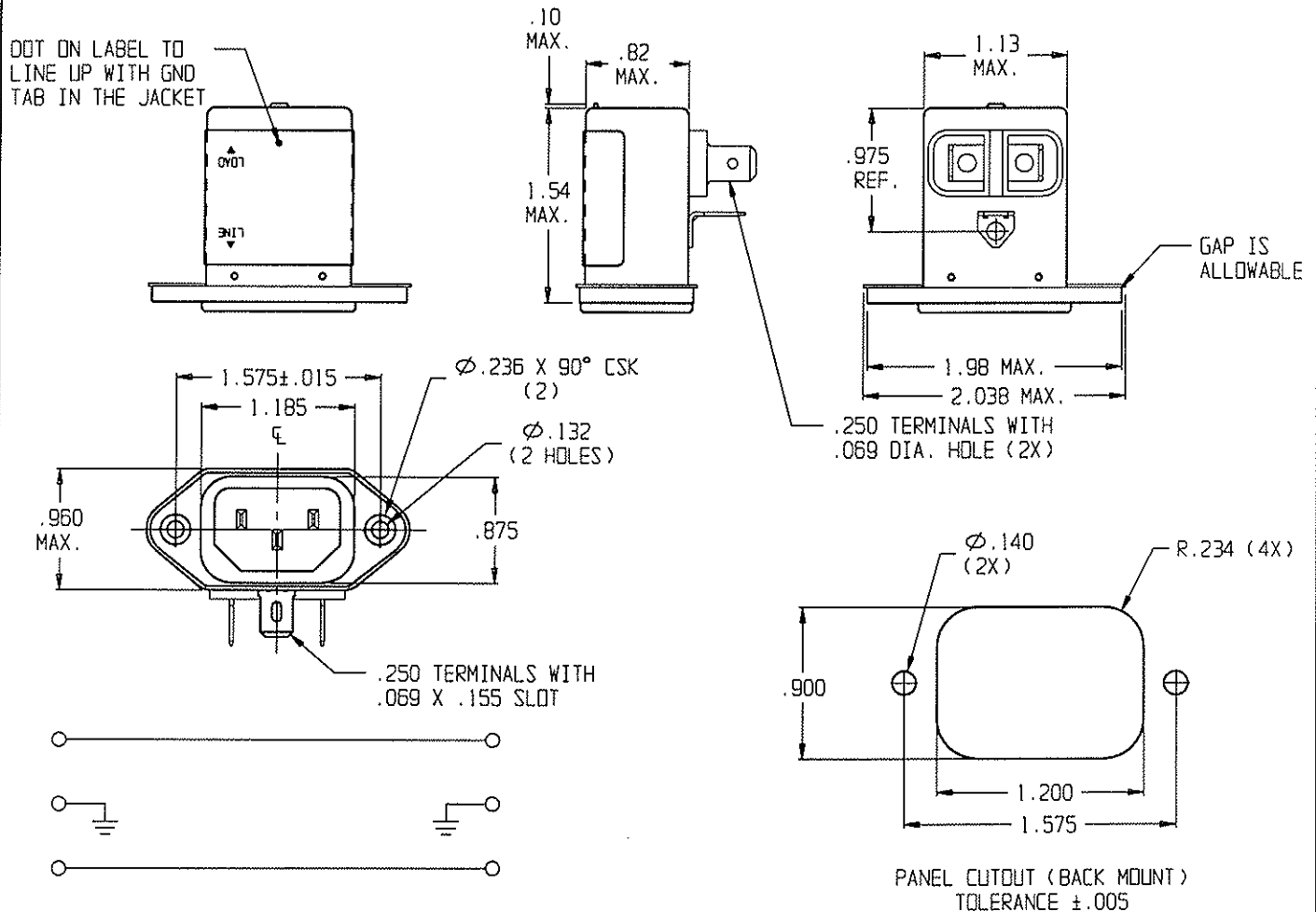
INDUCTANCE: N/A mH  
 CAPACITANCE: (MEASURED @ 1KHz, 0.250VAC MAX., 25°C±1°C)  
 LINE TO GROUND: N/A  
 LINE TO LINE: N/A  
 DISCHARGE RESISTOR: N/A  
 L/G AND L/L I.R.: N/A  
 NO DISCHARGE RESISTOR: 6000Ω (MIN.) @ 100VDC,  
 20°C AND 50% RH

**RECOMMENDED RECEIVING INSPECTION HIPOT:**

LINE TO GROUND: 1500 VAC FOR 1 MINUTE  
 LINE TO LINE: 1450 VDC FOR 1 MINUTE

**FILTER APPROVAL:**

THE BEST WAY TO SELECT AND QUALIFY A FILTER IS FOR YOUR ENGINEERING TO TEST THE UNIT IN YOUR EQUIPMENT.



**50Ω - 50Ω (MINIMUM) INSERTION LOSS**

FREQUENCY MHz	1.0	5.0	10	50	100	300
COMMON dB	/	/	/	/	/	/
DIFF. dB	/	/	/	/	/	/

THIRD ANGLE PROJECTION

UNLESS OTHERWISE SPECIFIED,  
 TOLERANCE TO BE ±.025  
 MATERIAL & FINISH: AS SUPPLIED

This document is proprietary to CORCOM INC. and is not to be reproduced nor used for manufacturing purposes except on CORCOM'S prior written consent.



**POWER LINE FILTER**

CAD FILE: G:\CD\15SRB200	TYCO # 5-6609987-4
SCALE: .75	DATE: 18 JAN 06
DRW. BY: SD	ORIG: PJD
CATALOG NO. 15SRB2	REV. 0