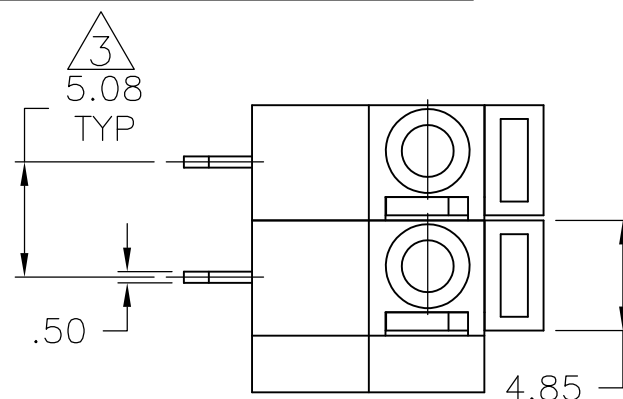


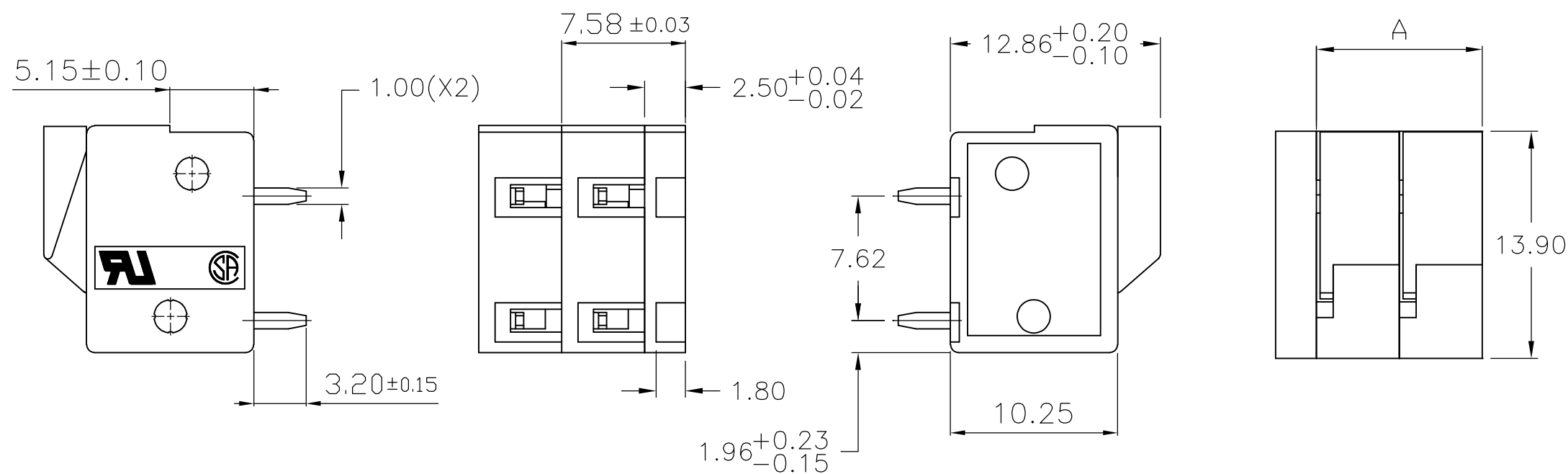
THIS DRAWING IS UNPUBLISHED. RELEASED FOR PUBLICATION
 © COPYRIGHT BY TYCO ELECTRONICS CORPORATION. ALL RIGHTS RESERVED.

| LOC | DIST | REVISIONS | | | | | |
|-----|------|-----------|-----|---------------------------|---------|-----|------|
| FT | 0 | P | LTR | DESCRIPTION | DATE | DWN | APVD |
| | | | 02 | REVISED PER ECO-08-000824 | 1/10/08 | SS | CR |



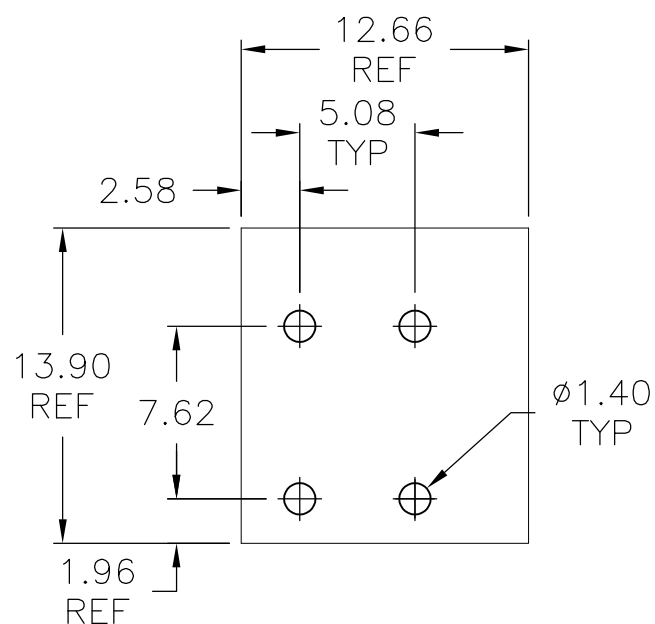
1. ALL DIMENSIONS ARE IN mm'S.
2. BUCHANAN LOGO TO APPEAR ON HOUSING, LOCATION OPTIONAL WHERE SPACE PERMITS.

$\triangle 3$ NON CUMULATIVE.



1776262-2 AS SHOWN

| 60.96 | 12 | 1-1776262-2 |
|--------|-------------|-------------|
| 55.88 | 11 | 1-1776262-1 |
| 50.80 | 10 | 1-1776262-0 |
| 45.72 | 9 | 1776262-9 |
| 40.64 | 8 | 1776262-8 |
| 35.56 | 7 | 1776262-7 |
| 30.48 | 6 | 1776262-6 |
| 25.40 | 5 | 1776262-5 |
| 20.32 | 4 | 1776262-4 |
| 15.24 | 3 | 1776262-3 |
| 10.16 | 2 | 1776262-2 |
| DIM. A | NO. OF POS. | PART NUMBER |



PCB LAYOUT FOR
-2 AS SHOWN

| | | | | |
|--|--|-----------------------|--|-----------------|
| THIS DRAWING IS A CONTROLLED DOCUMENT. | | DWN S SCHLEGEL 5/6/05 | Tyco Electronics Corporation Harrisburg, Pa 17105-3608 | |
| DIMENSIONS: mm | | CHK C RICHARD 5/6/05 | | |
| TOLERANCES UNLESS OTHERWISE SPECIFIED: | | APVD C RICHARD 5/6/05 | NAME | |
| 0 PLC ± - 1 PLC ± 0.3 2 PLC ± 0.25 3 PLC ± - 4 PLC ± - ANGLES ± - | | PRODUCT SPEC | TERMINAL BLOCK, BOARD MT. SCREWLESS, SIDE WIRE ENTRY, 5.08mm PITCH, HIGH TEMP | |
| MATERIAL - | | FINISH - | APPLICATION SPEC - | RESTRICTED TO - |
| | | WEIGHT - | SIZE A3 | CAGE CODE 00779 |
| | | CUSTOMER DRAWING | DRAWING NO C-1776262 | RESTRICTED TO - |
| | | SCALE NTS | SHEET 1 OF 2 | REV 02 |

THIS DRAWING IS UNPUBLISHED. RELEASED FOR PUBLICATION
 © COPYRIGHT BY TYCO ELECTRONICS CORPORATION. ALL RIGHTS RESERVED.

| LOC | DIST | REVISIONS | | | |
|-----|------|-------------|------|-----|------|
| P | LTR | DESCRIPTION | DATE | DWN | APVD |
| FT | 0 | — | — | — | — |
| | | SEE SHEET 1 | — | — | — |

1. Application and Features:

- 1-1. This screwless terminals are suitable for both solid and flexible conductors.
- 1-2. A spring made of stainless strip steel guarantees for permanent and safe contact.
- 1-3. The type is operated by pushing a screwdriver on the level. This lever is fully integrated into the body.
- 1-4. It is equipped with a cover for easy hand adjustment.

2. Technical Data:

2-1. Material:

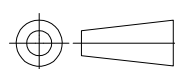
- 2-1-1. HOUSING: NYLON 6.6,
UL 94 V-0 (Green).
- 2-1-2. Contact: Brass(Cu Zn)
Ni,Tin plated.
first 50u" (min) Ni plated over all.
last 120u" (min) Tin plated over all.
- 2-1-3. Metal Plate: Stainless strip steel.

2-2. Electrical:

- 2-2-1. Current rating: 10 Amp 300VAC.
- 2-2-2. Dielectric withstanding
voltage: 2000VAC (min).
- 2-2-3. Insulation resistance: 500M Ω more
at 500VAC.
- 2-2-4. Wire Range: 14-22AWG.

2-3. Mechanical:

- 2-3-1. Wire retention force: 1.2 Kg (min).
- 2-3-2. Operating temperature: -55°C to +105°C.
- 2-3-3. Solderability: 95% coverage (min).

| | | | | | |
|---|--|-----------------------|--------|--|--------------------|
| THIS DRAWING IS A CONTROLLED DOCUMENT. | | DWN S SCHLEGEL | 5/6/05 | Tyco Electronics Corporation Harrisburg, Pa 17105-3608 | |
| DIMENSIONS: mm | | CHK C RICHARD | 5/6/05 | NAME TERMINAL BLOCK, BOARD MT. SCREWLESS, SIDE WIRE ENTRY, 5.08mm PITCH, HIGH TEMP | |
| TOLERANCES UNLESS OTHERWISE SPECIFIED: | | APVD C RICHARD | 5/6/05 | PRODUCT SPEC — | |
|  | | APPLICATION SPEC — | | RESTRICTED TO — | |
| MATERIAL — | | FINISH — | | SIZE A3 | CAGE CODE 00779 |
| | | WEIGHT — | | DRAWING NO C-1776262 | |
| CUSTOMER DRAWING | | | | SCALE NTS | SHEET 2 OF 2 |
| | | | | REV 02 | |