

PRODUCT NO.
61729-*

PRODUCT NUMBER CODE:

61729 - X X X X P S LF

BASE PRODUCT NUMBER

HOUSING COLOR OPTION

- 0 - WHITE
- 1 - BLACK

HALOGEN OPTION

- 0 - WITH HALOGEN
- 1 - HF (HALOGEN FREE)

SHIELD OPTION

- 1 - FULL BACK
- 2 - PARTIAL BACK
- 3 - FULL BACK (SPECIAL PLATING NI ONLY)
- S - FULL BACK (SPECIAL MATERIAL FOR 12,000 DURABILITY CYCLES)
- P - PARTIAL BACK (SPECIAL MATERIAL FOR 12,000 DURABILITY CYCLES)
- Q - PARTIAL BACK WITH SHORT TAIL FOR TYPE 3

TERMINAL PLATING OPTION

- 0 - 50u" NI UNDERPLATED
30u" GXT CONTACT AREA
100u" PURE TIN TAIL AREA
- 1 - 50u" NI UNDERPLATED
30u" GOLD CONTACT AREA
100u" PURE TIN TAIL AREA

PACKAGING OPTION

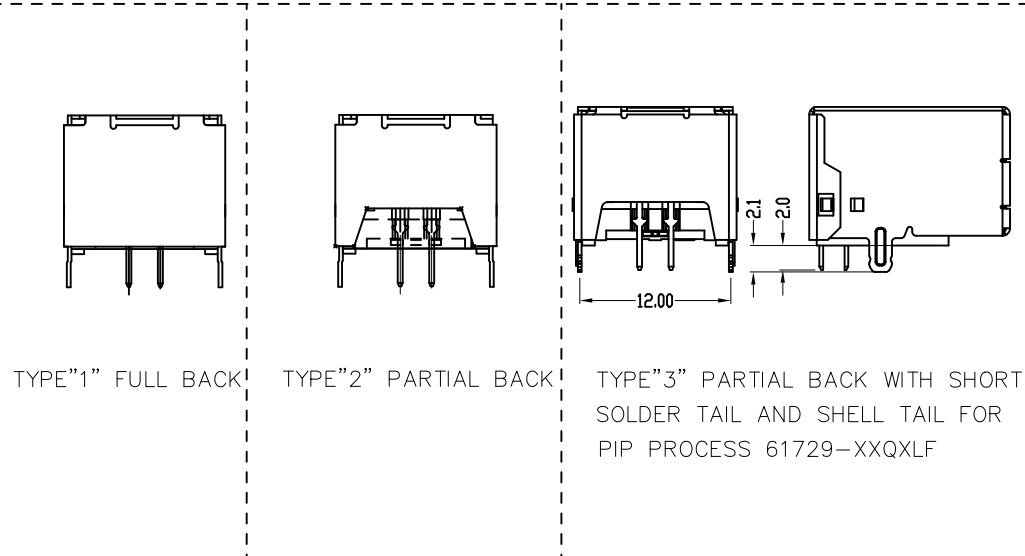
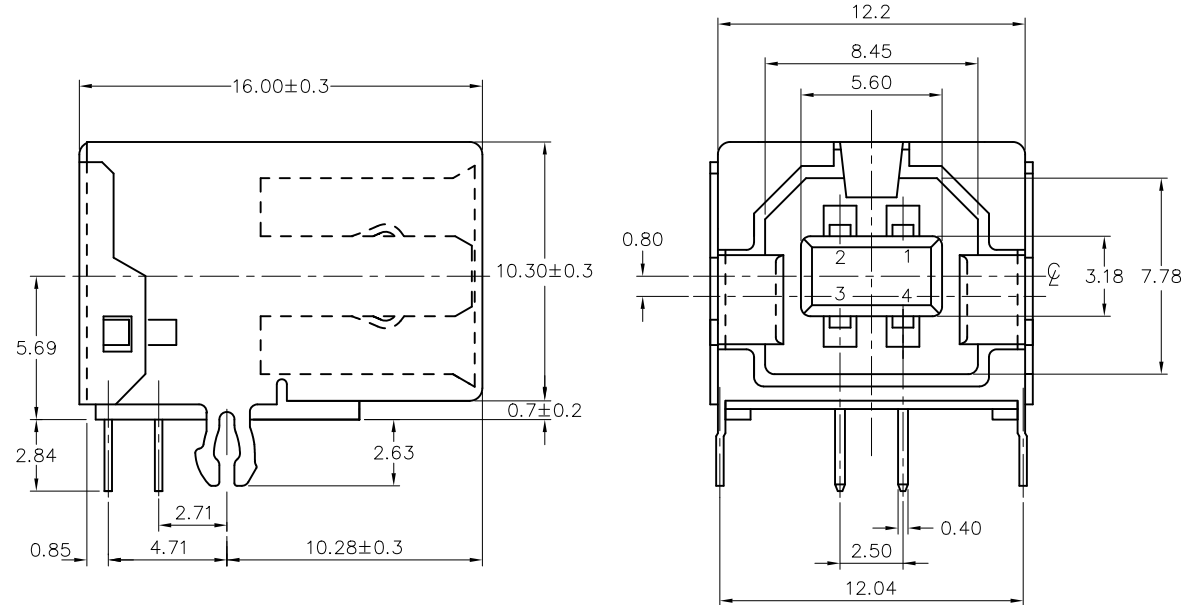
- B - TUBES
- R - TAPE & REEL

DATE CODE OPTION

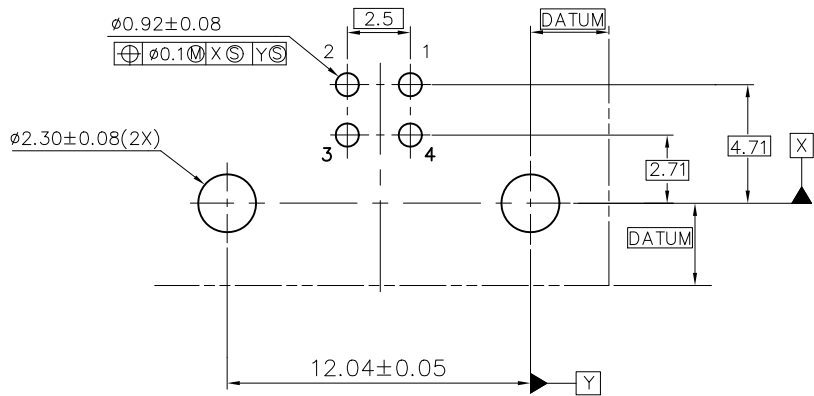
- P - WITH DATE CODE
- DEFAULT: WITHOUT DATE CODE

ONLY FOR PANASONIC

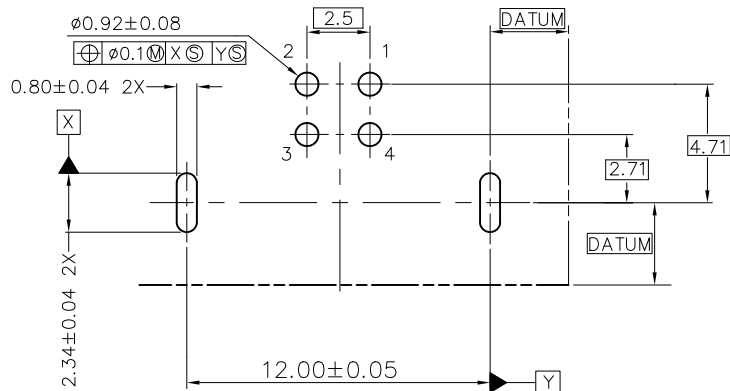
LEAD FREE OPTION



mat'l. code		surface	tolerance	projection	product family
		ISO 1302	ISO 406	ISO 1101	HPL 511 USB2.0
ltr	ecn no dr	date	tolerances unless otherwise specified	mm	title
S	N05-0242 PH	08/22/05	0.0±0.30	mm	USB RECEPTACLE B TYPE
T	N06-0103 HB	04/15/06	0.00±0.20	mm	
U	N08-0238 RB	11/03/08	0.000±0.10	scale 1:1	
V	N08-0246 RB	12/08/08	dr Laurence.Zang	03/09/18	Amphenol FCI
W	ECR-N-16533 LQ	12/17/13	eng Laurence.Zang	03/09/18	dwg no sheet 1 of 2 size
X	ELX-N-29556 LZ	03/09/18	chr Tim.Yao	03/09/18	61729 A3
sheet index		revision sheet	appd Tim.Yao	03/09/18	type Product Customer Drawing



P.C. BOARD LAYOUT
STYLE 1 APPLY FOR TYPE 1 & 2



P.C. BOARD LAYOUT
STYLE 2 APPLY FOR TYPE 3

NOTES:

1. MATERIAL:
SHIELD & CONTACTS: COPPER ALLOY
HOUSING: UL 94V-0 ,HIGHT TEMPERATURE THERMOPLASTIC.
COLOR: SEE PRODUCT NUMBER CODE.
2. PLATING: SEE PRODUCT NUMBER CODE.
SHIELD: BRIGHT TIN, NICKEL UNDERPLATE(USED FOR WAVE SOLDER PROCESS),
PLATING NICKEL ONLY(USED FOR PIP PROCESS).
3. DATUMS & BASIC DIMENSIONS TO BE DETERMINED BY CUSTOMER
4. RECOMMENDED BOARD THICKNESS IS 1.57 mm (.062)
5. PACKING STANDARD GS-14-920 WILL BE APPLIED FOR LEAD FREE P/N'S
6. FOR LEAD FREE P/N, THE PRODUCT MEET EUROPEAN UNION DIRECTIVES AND
OTHER COUNTRY REGULATION AS DESCRIBED IN GS-22-008
7. FOR LEAD FREE P/N'S, THE HOUSING WILL WITHSTAND EXPOSURE TO 260°C
PEAK TERMERATURE FOR 10 SECONDS IN A CONVECTION, INFRO-RED OR VAPOR
PHASE REFLOW OVEN.
8. THE PART CAN BE USED FOR PIP PROCESS.

mat'l. code		surface	tolerance	projection	product family
		ISO 1302	ISO 406	ISO 1101	HPL 511 USB2.0
ltr	ecn no	dr	date	tolerances unless otherwise specified	title
X				0.0±0.30	USB RECEPTACLE B TYPE
				0.00±0.20	
				0.000±0.10	
				scale 1:1	
		dr	Laurence.Zang	03/09/18	dwg no
		eng	Laurence.Zang	03/09/18	sheet 2 of 2
		chr	Tim.Yao	03/09/18	61729
		appd	Tim.Yao	03/09/18	size
					A3
sheet index	revision sheet				type Product Customer Drawing