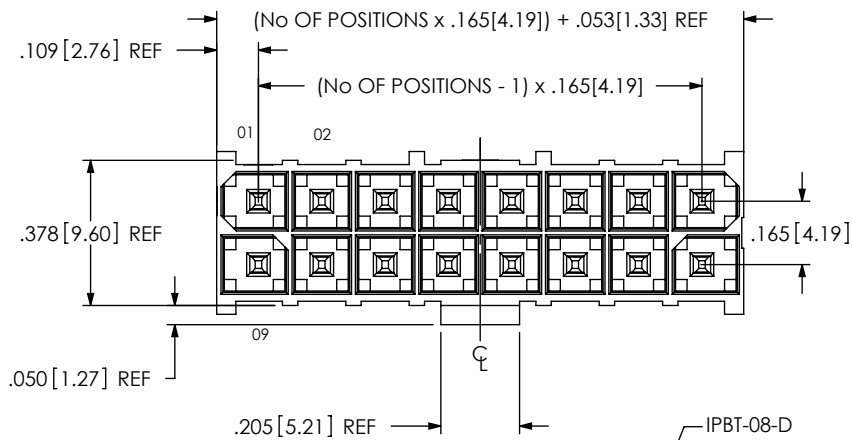


FIG 1  
(IPBT-108-HT-XX-D SHOWN)

IPBT-1XX-XX-XX-D-XX

DO NOT SCALE FROM THIS PRINT



No OF POSITIONS  
-02 THRU -15  
(PER ROW)  
-02 (SEE SHEET 5, FIG.8)

- LEAD STYLE
- H1: HIGH POWER, THRU HOLE (USE T-1S55-XX-X-2, SEE FIG.1, SHEET 1)
  - H2: HIGH POWER, SURFACE MOUNT (USE T-1S55-02-X-2, SEE FIG.3, SHEET 3)
  - H3: HIGH POWER, THRU HOLE, .670" STACKER (USE T-1S55-05-X-2, SEE FIG.5, SHEET 4)
  - H4: HIGH POWER, THRU HOLE, .748" STACKER (USE T-1S55-06-X-2, SEE FIG.6, SHEET 4)
  - H5: HIGH POWER, THRU HOLE, .787" STACKER (USE T-1S55-07-X-2, SEE FIG.6, SHEET 4)
  - H6: HIGH POWER, THRU HOLE, .984" STACKER (USE T-1S55-08-X-2, SEE FIG.6, SHEET 4)

OPTION

- RA: RIGHT ANGLE (SEE FIG 2, SHEET 2) [STYLE -H1 ONLY]
- GP: GUIDE POSTS (USE IPBT-XX-D-GP, SEE FIG 4, SHEET 3) (NOT AVAILABLE W/ -K OPTION)
- \*-K: KEYED POLARIZATION (USE IPBT-XX-D-K) (SEE FIG 9, SHEET 5) (NOT AVAILABLE W/ -GP OPTION)

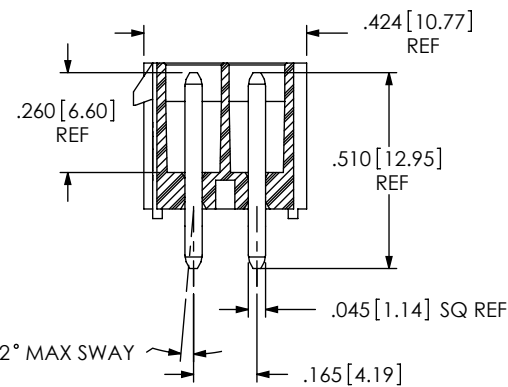
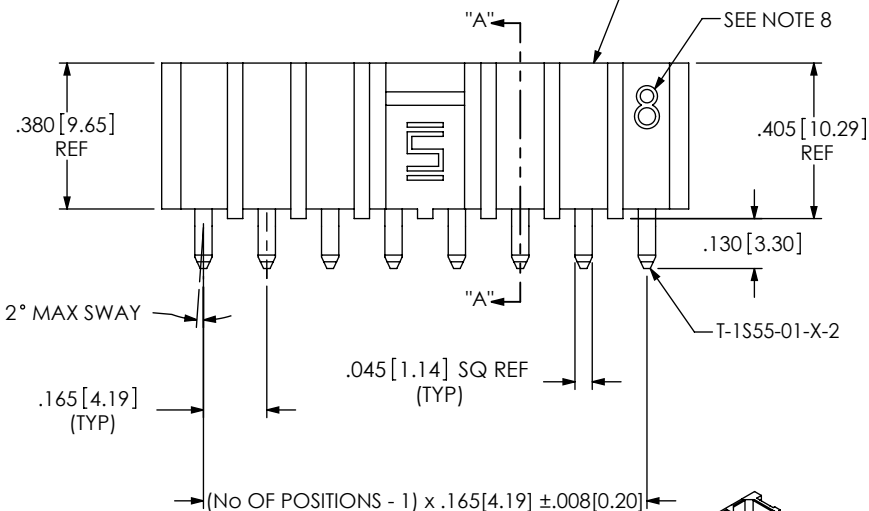
\*(LEAVE BLANK FOR NO KEY OPTION. SAMTEC WILL ONLY SUPPORT EXISTING BUSINESS AS OF REV W)

ROW SPECIFICATION

- D: DOUBLE (USE IPBT-XX-D)

PLATING SPECIFICATION

- TM: MATTE TIN CONTACT AND TAIL (USE T-1S55-XX-T-2)
- T: MATTE TIN CONTACT AND TAIL (USE T-1S55-XX-T-2)



NOTES:

1. Ⓢ REPRESENTS A CRITICAL DIMENSION.
2. COPLANARITY (FOR SURFACE MOUNT): SEE TABLE 2 SHEET 3.
3. MAX BURR ALLOWANCE: .0015 [.038]
4. MINIMUM TERMINAL RETENTION: 1 LB.
5. IPBT-XX-D-XX AND IPBV-XX-D PARTS TO BE MOLDED TO POSITION, IPBE-XX-XX-D ARE TO BE CUT.
6. MAX HEIGHT VARIATION BETWEEN PINS: .005 [.13]
7. ALL PIN TO PIN DIMENSIONS TO BE MEASURED FROM TIP TO TIP.
8. THIS NUMBER REPRESENTS THE NUMBER OF POSITIONS PER ROW ONLY AND IS NOT INTENDED TO BE USED IN POSITION NUMBERING.
9. ALL PARTS TO BE PACKAGED IN TUBES EXCEPT 2 AND 3 POS. 2 AND 3 POS PARTS TO BE LAYER PACKAGED.
10. MAX CUT FLASH: .005 [.13]
11. AFTER REVISION T OF COMPONENT PRINT IPT1-XX-D-XX-X, SAMTEC LOGO TO APPEAR ON CORE #1 FOR POSITIONS 1 THROUGH 5. FOR POSITIONS 6 THROUGH 15, LOGO TO APPEAR ON CORE #1 AND THE LAST CORE WITHIN THE SAME ROW.

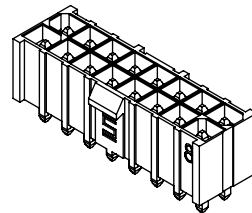


TABLE 1

LEAD STYLE	BODY 1	BODY 2	TERMINAL 1	OAL REF	TERMINAL 2	OAL REF
-H1	IPBT-XX-D	N/A	T-1S55-01-X-2	.5100	N/A	N/A
-H2	IPBT-XX-D	N/A	T-1S55-02-X-2	.6071	N/A	N/A
-H1-RA	IPBT-XX-D	N/A	T-1S55-03-X-2	.6861	T-1S55-04-X-2	1.0681
-H1-RA-GP	IPBT-XX-D-GP	N/A	T-1S55-03-X-2	.6861	T-1S55-04-X-2	1.0681
-H1-GP	IPBT-XX-D-GP	N/A	T-1S55-01-X-2	.5100	N/A	N/A
-H3-GP	IPBT-XX-D-GP	IPBV-XX-D	T-1S55-05-X-2	.5790	N/A	N/A
-H4-GP	IPBT-XX-D-GP	CUT FROM IPBE-31-H4-D	T-1S55-06-X-2	.6580	N/A	N/A
-H5-GP	IPBT-XX-D-GP	CUT FROM IPBE-31-H5-D	T-1S55-07-X-2	.6970	N/A	N/A
-H6-GP	IPBT-XX-D-GP	CUT FROM IPBE-31-H6-D	T-1S55-08-X-2	.8940	N/A	N/A
-H3	IPBT-XX-D	IPBV-XX-D	T-1S55-05-X-2	.5790	N/A	N/A
-H4	IPBT-XX-D	CUT FROM IPBE-31-H4-D	T-1S55-06-X-2	.6580	N/A	N/A
-H5	IPBT-XX-D	CUT FROM IPBE-31-H5-D	T-1S55-07-X-2	.6970	N/A	N/A
-H6	IPBT-XX-D	CUT FROM IPBE-31-H6-D	T-1S55-08-X-2	.8940	N/A	N/A

UNLESS OTHERWISE SPECIFIED, DIMENSIONS ARE IN INCHES. TOLERANCES ARE:  
 DECIMALS: .XX: ±.01 [.3]  
 .XXX: ±.005 [.13]  
 .XXXX: ±.0020 [.051]

PROPRIETARY NOTE

THIS DOCUMENT CONTAINS INFORMATION CONFIDENTIAL AND PROPRIETARY TO SAMTEC, INC. AND SHALL NOT BE REPRODUCED OR TRANSFERRED TO OTHER DOCUMENTS OR DISCLOSED TO OTHERS OR USED FOR ANY PURPOSE OTHER THAN THAT WHICH IT WAS OBTAINED WITHOUT THE EXPRESSED WRITTEN CONSENT OF SAMTEC, INC.

MATERIAL: DO NOT SCALE DRAWING SHEET SCALE: 2:1  
 INSULATOR: LCP UL 94 VO, COLOR: BLACK  
 TERMINAL: HIGH COPPER ALLOY



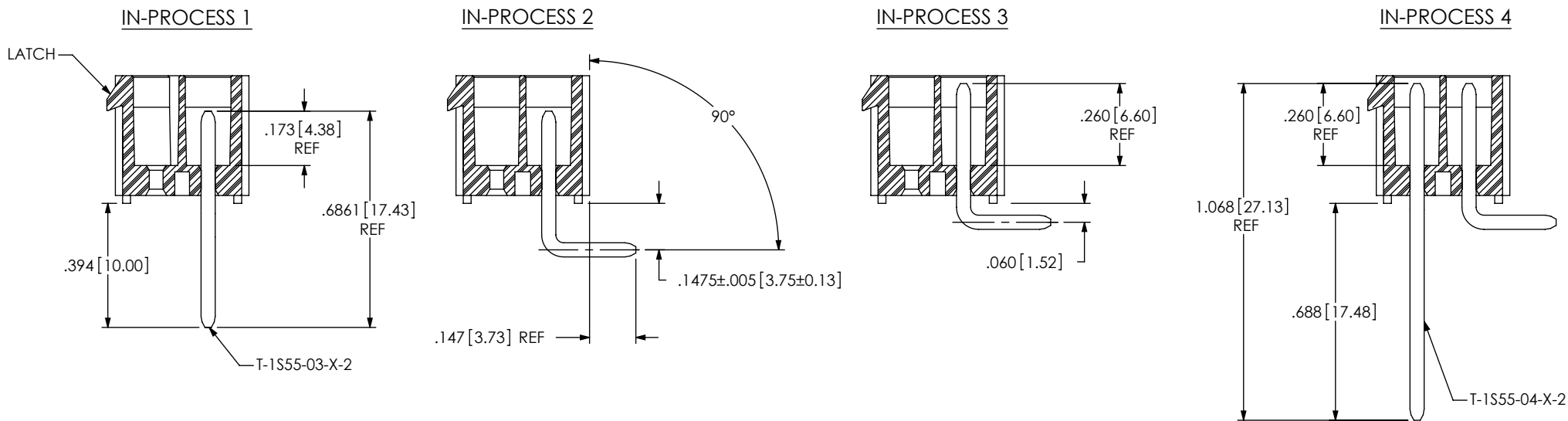
520 PARK EAST BLVD, NEW ALBANY, IN 47150  
 PHONE: 812-944-6733 FAX: 812-948-5047  
 e-Mail: info@SAMTEC.com code 55322

DESCRIPTION: .165 DOUBLE ROW TERMINAL ASSEMBLY

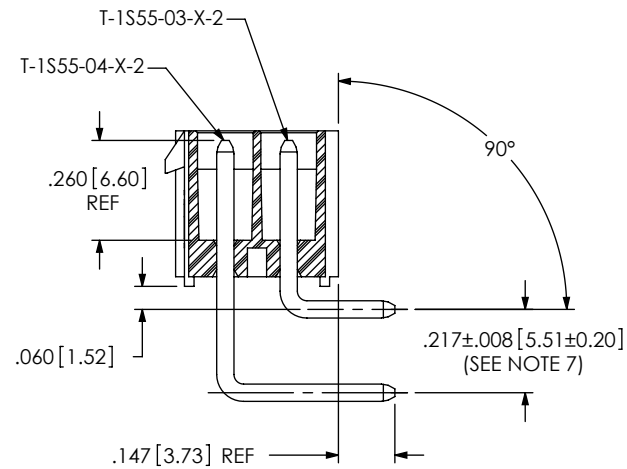
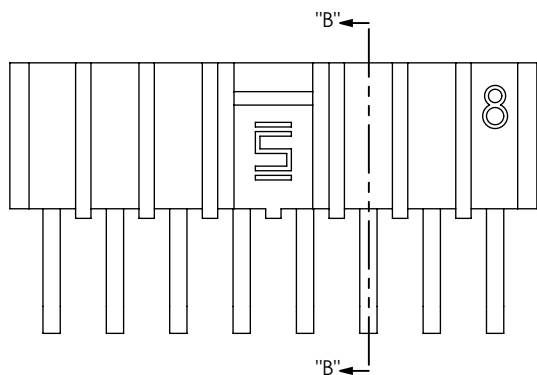
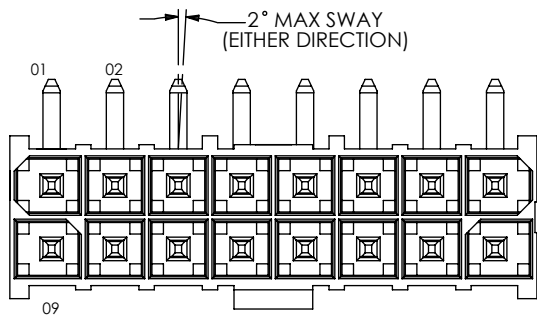
DWG. NO. IPBT-1XX-XX-XX-D-XX

BY: DEAN P 7/27/2001 SHEET 1 OF 5

-RA: RIGHT ANGLE IN-PROCESS VIEWS



**FIG 2**  
 (IPBT-108-H1-XX-D-RA SHOWN)  
 (DIFFERENT AS SHOWN, OTHERWISE SAME AS FIG 1)  
 (AVAILABLE ONLY ON -H1)



SECTION "B"-"B"

**PROPRIETARY NOTE**  
 THIS DOCUMENT CONTAINS INFORMATION CONFIDENTIAL AND PROPRIETARY TO SAMTEC, INC. AND SHALL NOT BE REPRODUCED OR TRANSFERRED TO OTHER DOCUMENTS OR DISCLOSED TO OTHERS OR USED FOR ANY PURPOSE OTHER THAN THAT WHICH IT WAS OBTAINED WITHOUT THE EXPRESSED WRITTEN CONSENT OF SAMTEC, INC.

DO NOT SCALE DRAWING

SHEET SCALE: 2:1

**samtec**

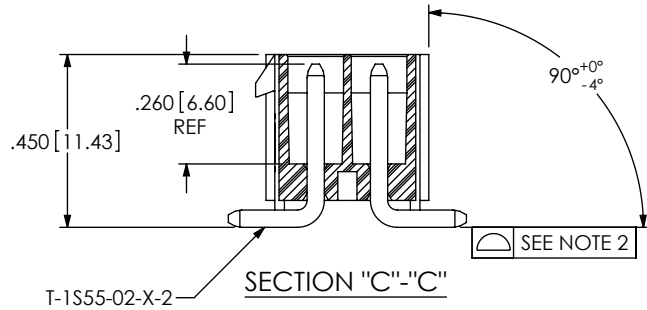
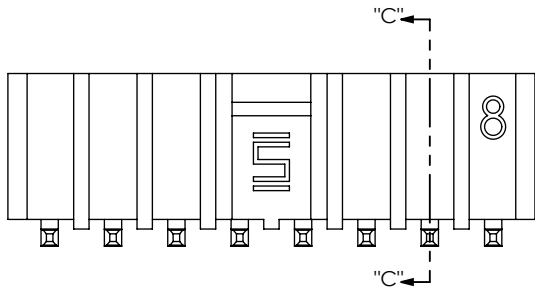
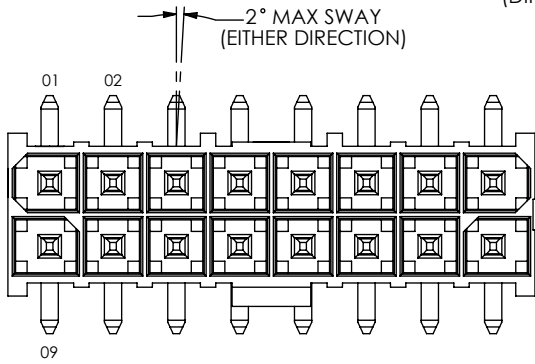
520 PARK EAST BLVD, NEW ALBANY, IN 47150  
 PHONE: 812-944-6733 FAX: 812-948-5047  
 e-Mail: info@SAMTEC.com code 55322

DESCRIPTION:  
 .165 DOUBLE ROW TERMINAL ASSEMBLY

DWG. NO. IPBT-1XX-XX-XX-D-XX

BY: DEAN P 7/27/2001 SHEET 2 OF 5

**FIG 3**  
(IPBT-108-H2-XX-D SHOWN)  
(DIFFERENT AS SHOWN, OTHERWISE SAME AS FIG 1)

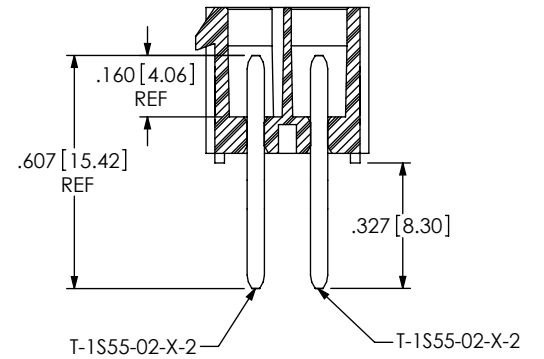


**TABLE 2**

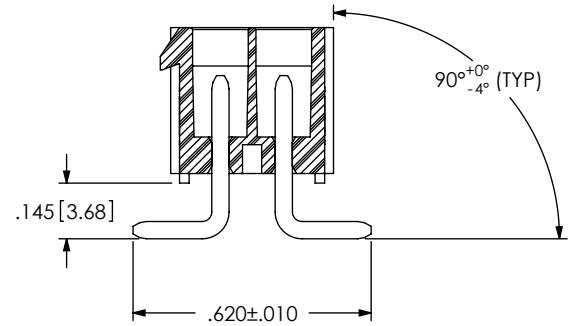
No OF POSITIONS	COPLANARITY
-02 THRU -08	.004 [ .10]
-09 THRU -15	.006 [ .15]

**-H2: SURFACE MOUNT IN-PROCESS VIEWS**

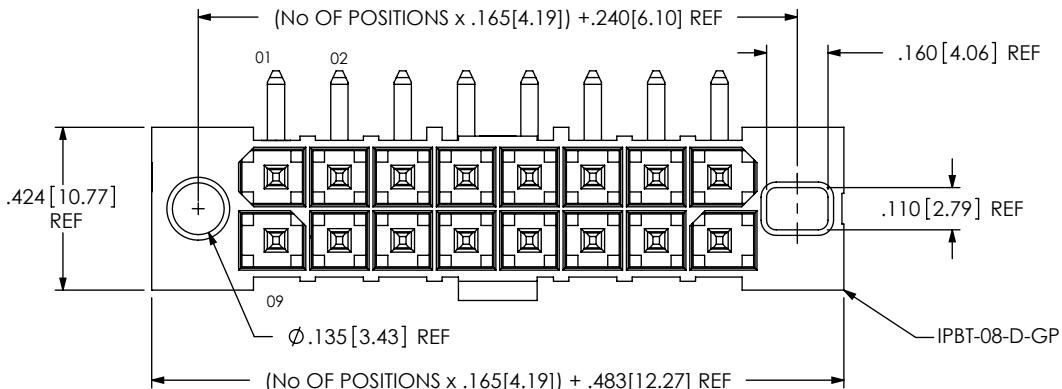
**IN-PROCESS 1**



**IN-PROCESS 2**



**FIG 4**  
(IPBT-108-H1-XX-D-RA-GP SHOWN)  
(DIFFERENT AS SHOWN, OTHERWISE SAME AS FIG 1, 2 OR 3)



**PROPRIETARY NOTE**

THIS DOCUMENT CONTAINS INFORMATION CONFIDENTIAL AND PROPRIETARY TO SAMTEC, INC. AND SHALL NOT BE REPRODUCED OR TRANSFERRED TO OTHER DOCUMENTS OR DISCLOSED TO OTHERS OR USED FOR ANY PURPOSE OTHER THAN THAT WHICH IT WAS OBTAINED WITHOUT THE EXPRESSED WRITTEN CONSENT OF SAMTEC, INC.

DO NOT SCALE DRAWING

SHEET SCALE: 1:0.470588



520 PARK EAST BLVD, NEW ALBANY, IN 47150  
PHONE: 812-944-6733 FAX: 812-948-5047  
e-Mail: info@SAMTEC.com code 55322

DESCRIPTION: .165 DOUBLE ROW TERMINAL ASSEMBLY

DWG. NO. IPBT-1XX-XX-XX-D-XX

BY: DEAN P 7/27/2001 SHEET 3 OF 5

REVISION AC

TABLE 4		
LEADSTYLE	"C"	"D"
-H3	.579[14.71]	.094[2.40]
-H4	.658[16.71]	.173[4.39]
-H5	.697[17.70]	.212[5.38]
-H6	.894[22.71]	.409[10.39]

IN PROCESS 1  
(FOR H3, H4, H5, & H6 ONLY)

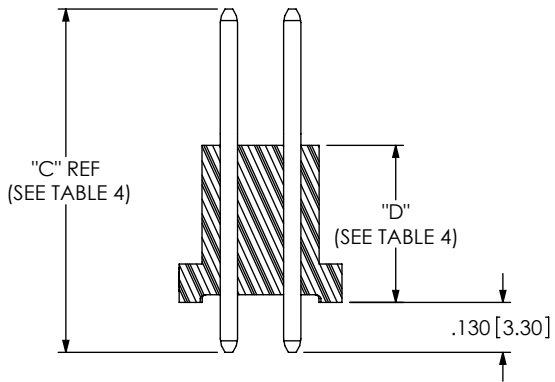


FIG 5  
(IPBT-108-H3-XX-D SHOWN)  
(DIFFERENT AS SHOWN, OTHERWISE SAME AS FIG. 1)

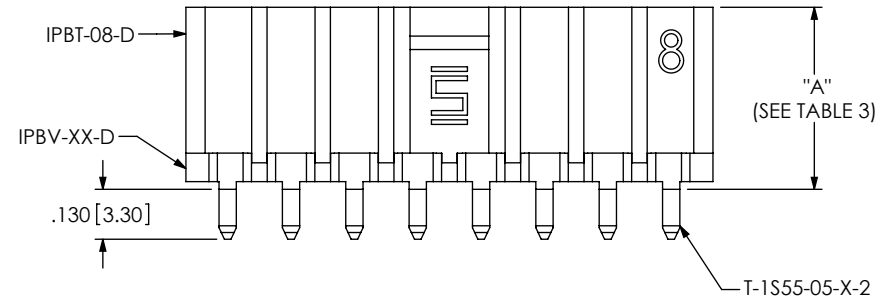


TABLE 3		
LEADSTYLE	"A"	STACK HEIGHT WITH IPBS-TH
-H3	.475[12.07]	.670[17.00]
-H4	.553[14.05]	.748[19.00]
-H5	.592[15.04]	.787[20.00]
-H6	.789[20.04]	.984[25.00]

FIG 6  
(IPBT-108-H6-XX-D SHOWN)  
(DIFFERENT AS SHOWN, OTHERWISE SAME AS FIG. 1)

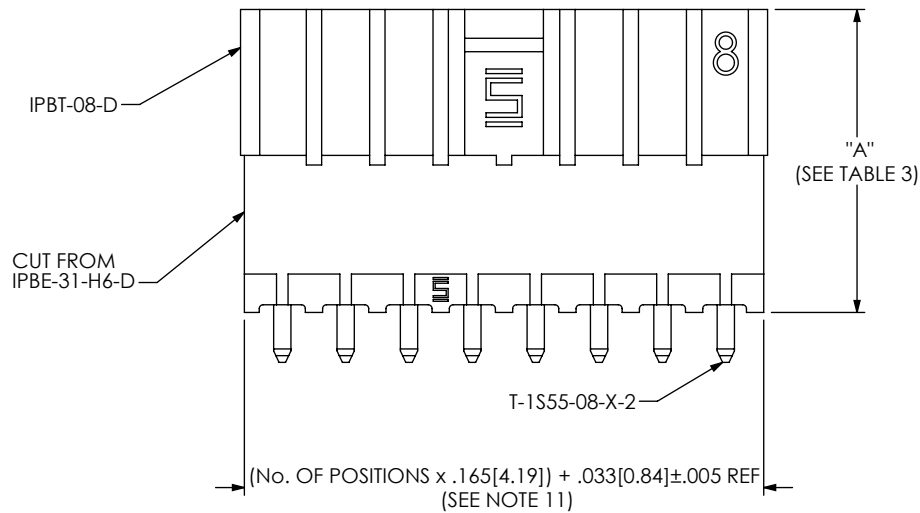
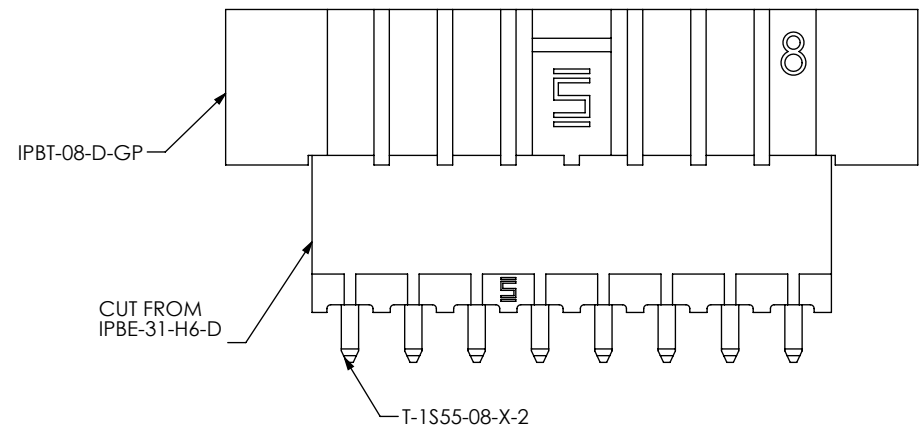


FIG 7  
(IPBT-108-H6-XX-D-GP SHOWN)  
(DIFFERENT AS SHOWN, OTHERWISE SAME AS FIG. 1, 4, 5, OR 6)



PROPRIETARY NOTE  
THIS DOCUMENT CONTAINS INFORMATION  
CONFIDENTIAL AND PROPRIETARY TO  
SAMTEC, INC. AND SHALL NOT BE REPRODUCED  
OR TRANSFERRED TO OTHER DOCUMENTS OR  
DISCLOSED TO OTHERS OR USED FOR ANY  
PURPOSE OTHER THAN THAT WHICH IT WAS  
OBTAINED WITHOUT THE EXPRESSED WRITTEN  
CONSENT OF SAMTEC, INC.

DO NOT SCALE DRAWING

SHEET SCALE: 2:1

**samtec**

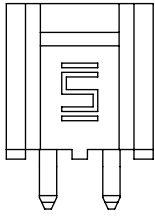
520 PARK EAST BLVD, NEW ALBANY, IN 47150  
PHONE: 812-944-6733 FAX: 812-948-5047  
e-Mail: info@SAMTEC.com code 55322

DESCRIPTION:  
.165 DOUBLE ROW TERMINAL ASSEMBLY

DWG. NO.  
IPBT-1XX-XX-XX-D-XX

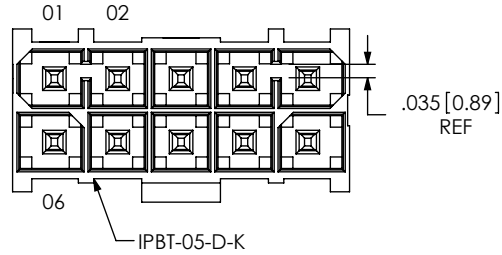
BY: DEAN P 7/27/2001 SHEET 4 OF 5

**FIG 8**  
(IPBT-102-HT-XX-D SHOWN)  
(DIFFERENT AS SHOWN,  
OTHERWISE SAME AS FIG 1)

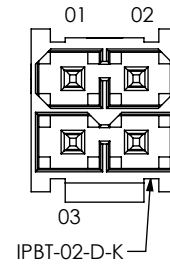


**FIG 9**  
(IPBT-1XX-HT-XX-D-K SHOWN)  
(DIFFERENT AS SHOWN, OTHERWISE SAME AS FIG 1)

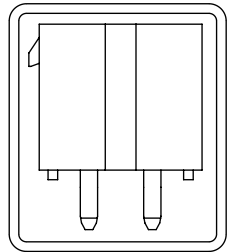
-105 POS SHOWN  
(TYPICAL FOR POSITIONS 3 THRU 15)



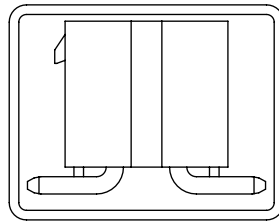
-102 POS SHOWN  
(DIFFERENT AS SHOWN)



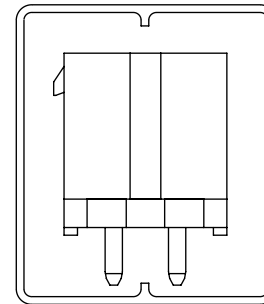
**PACKAGING VIEWS**  
[PARTS TO HAVE POSITION #1 LOADED IN  
SAME DIRECTION AS ARROW ON TUBE]  
(SEE NOTE 9)



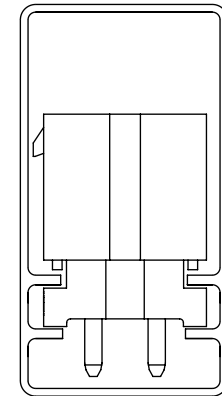
IPBT-1XX-H1-XX-D-XX SHOWN  
TUBE: PT-1-24-01-112  
PLUG: TP-28



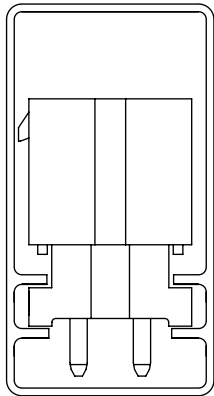
IPBT-1XX-H2-XX-D-XX SHOWN  
TUBE: PT-1-24-02-112  
PLUG: TP-28



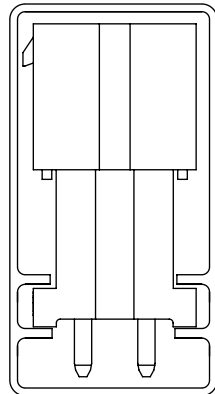
IPBT-1XX-H3-XX-D-XX SHOWN  
TUBE: PT-1-24-04-56  
PLUG: TP-25



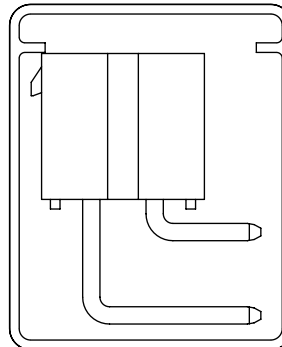
IPBT-1XX-H4-XX-D-XX SHOWN  
TUBE: PT-IPBT001-H4-H6  
PLUG: TP-28



IPBT-1XX-H5-XX-D-XX SHOWN  
TUBE: PT-IPBT001-H4-H6  
PLUG: TP-28



IPBT-1XX-H6-XX-D-XX SHOWN  
TUBE: PT-IPBT001-H4-H6  
PLUG: TP-28



IPBT-1XX-H1-XX-D-RA SHOWN  
TUBE: PT-1-24-19T-109  
PLUG: TP-25 (2 EACH END)

**PROPRIETARY NOTE**  
THIS DOCUMENT CONTAINS INFORMATION  
CONFIDENTIAL AND PROPRIETARY TO  
SAMTEC, INC. AND SHALL NOT BE REPRODUCED  
OR TRANSFERRED TO OTHER DOCUMENTS OR  
DISCLOSED TO OTHERS OR USED FOR ANY  
PURPOSE OTHER THAN THAT WHICH IT WAS  
OBTAINED WITHOUT THE EXPRESSED WRITTEN  
CONSENT OF SAMTEC, INC.

DO NOT SCALE DRAWING

SHEET SCALE: 2:1



520 PARK EAST BLVD, NEW ALBANY, IN 47150  
PHONE: 812-944-6733 FAX: 812-948-5047  
e-Mail info@SAMTEC.com code 55322

DESCRIPTION:  
.165 DOUBLE ROW TERMINAL ASSEMBLY

DWG. NO. **IPBT-1XX-XX-XX-D-XX**

BY: DEAN P 7/27/2001 SHEET 5 OF 5