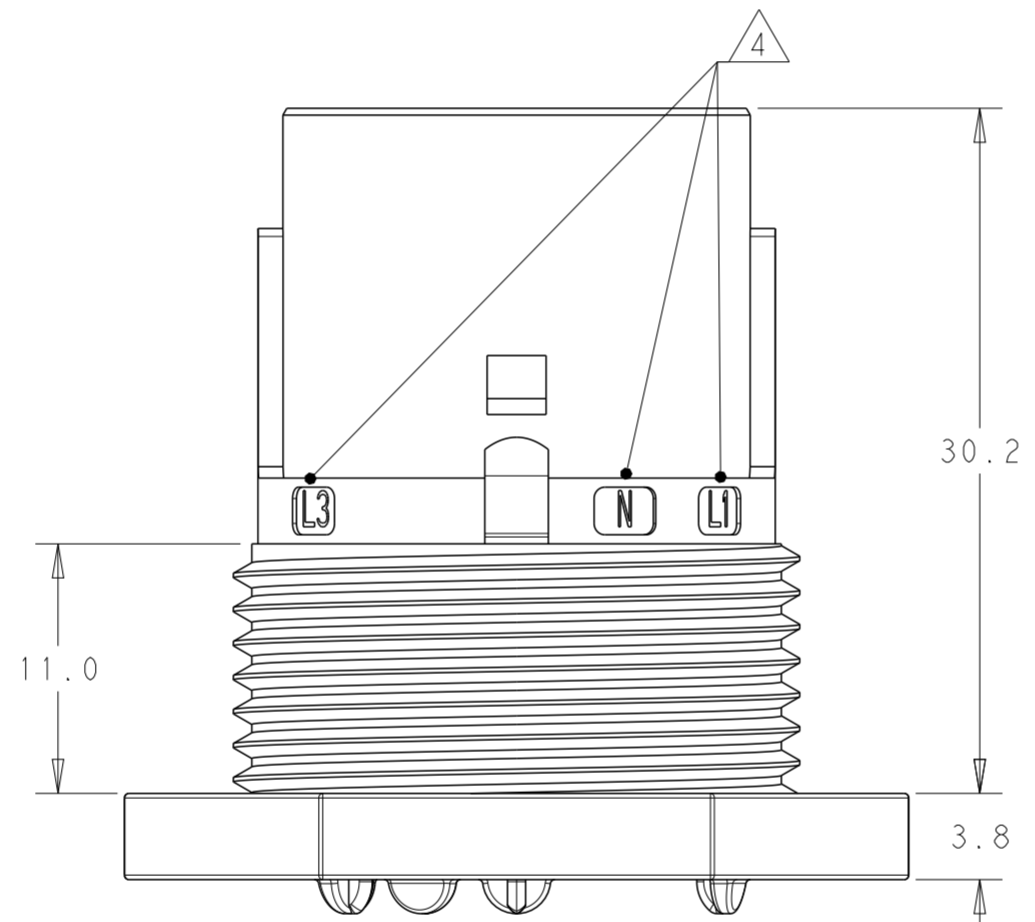
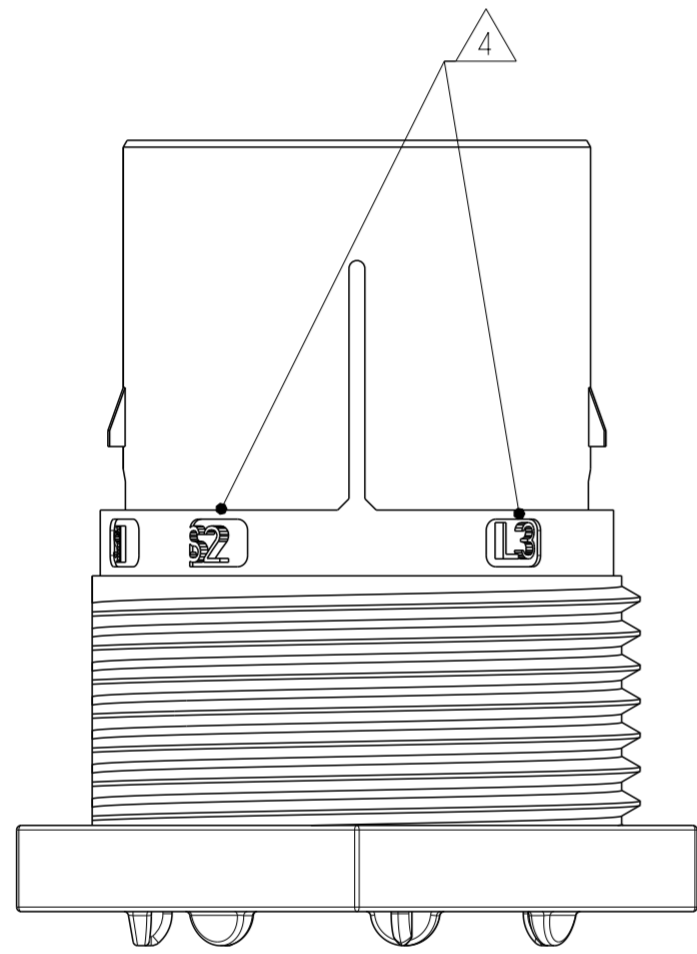
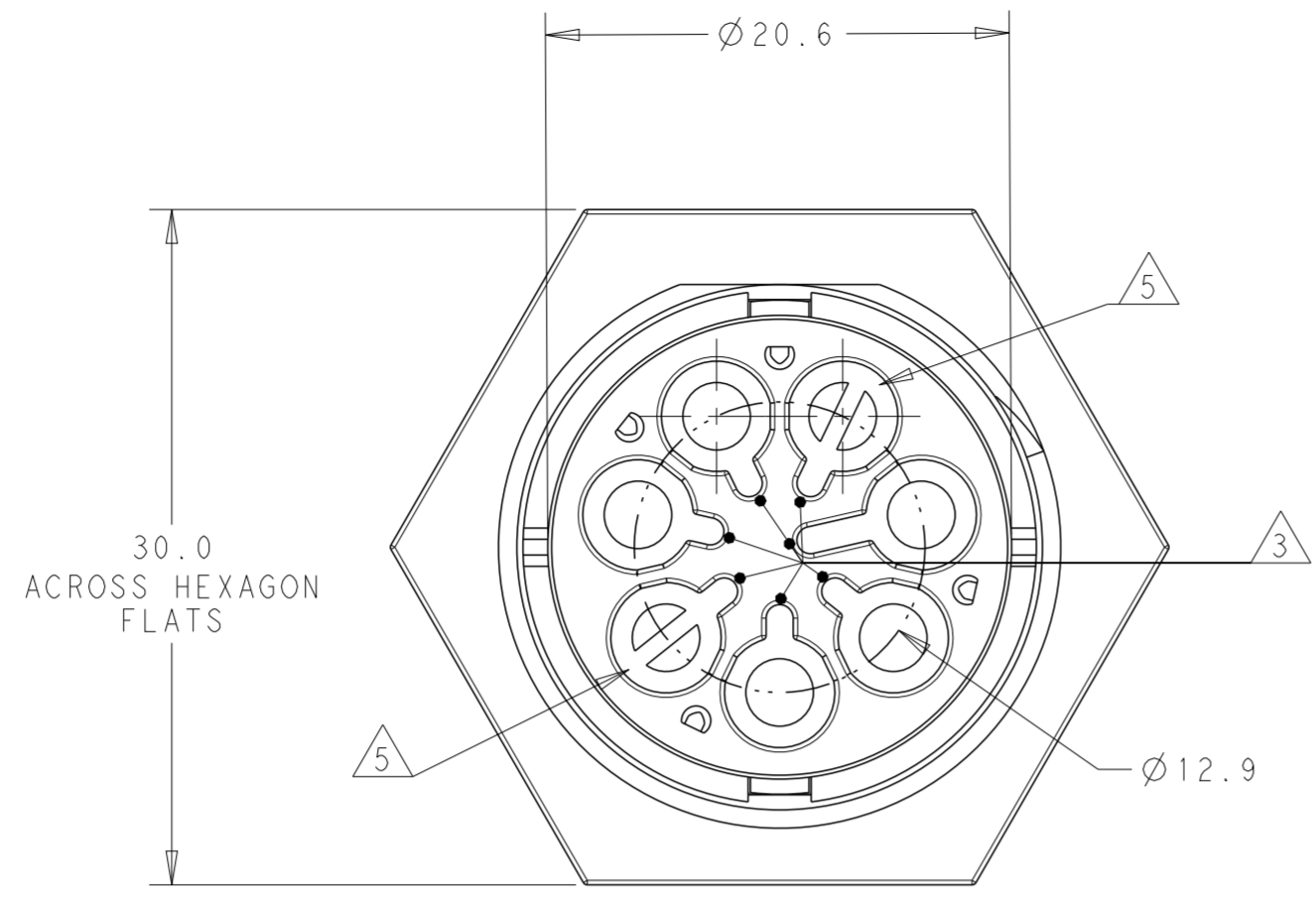
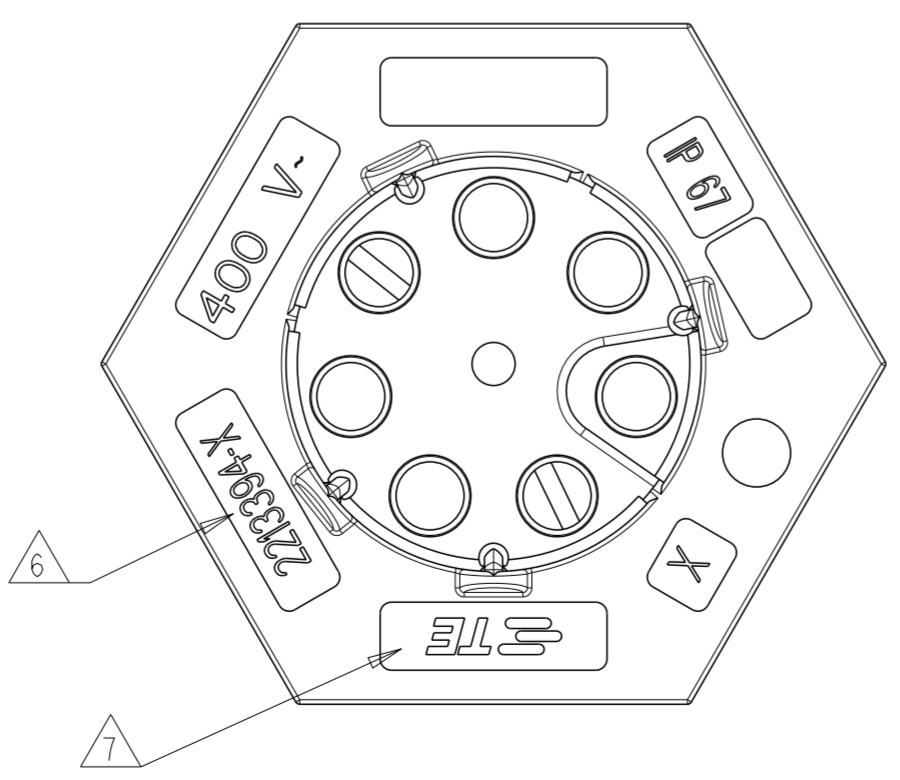
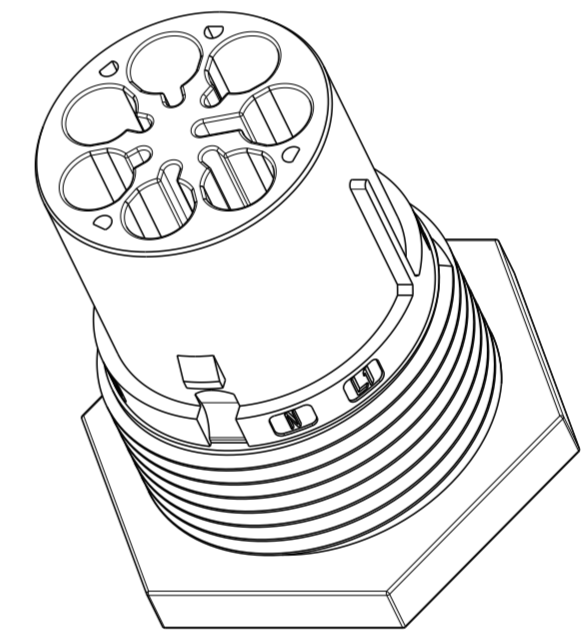


THIS DRAWING IS UNPUBLISHED. RELEASED FOR PUBLICATION 20
 © COPYRIGHT 20 BY - ALL RIGHTS RESERVED.

REVISIONS					
P	LTR	DESCRIPTION	DATE	DWN	APVD
	A	REVISED AS PER ECR-15-005925	21APR2015	RS	JL



- NOTES:
1. MATERIAL: GLASS FILLED PBT, COLOR: BLACK
 2. MUST COMPLY WITH DIRECTIVE 2002/95/EC (ROHS)
 3. ALL POLARIZATION KEYS SHOWN FOR REF ONLY.
 4. CIRCUIT I.D.
 5. CIRCUIT "L2" AND "L3" ARE BLOCKED TO PREVENT CONTACTS INSTALLATION.
 6. TE PART NUMBER.
 7. TE LOGO
 8. THIS PRODUCT HAS NOT COMPLETED VALIDATION TESTING



E	PANEL MOUNT PIN. SEALED NECTOR M, 5 POSN	2213394-5
D	PANEL MOUNT PIN. SEALED NECTOR M, 5 POSN	2213394-4
C	PANEL MOUNT PIN. SEALED NECTOR M, 5 POSN	2213394-3
B	PANEL MOUNT PIN. SEALED NECTOR M, 5 POSN	2213394-2
A	PANEL MOUNT PIN. SEALED NECTOR M, 5 POSN	2213394-1
	POLARIZATION TYPE	DESCRIPTION
		PART NUMBER

THIS DRAWING IS A CONTROLLED DOCUMENT.

DWN	J. SHAFFER	21 JAN 2014
CHK	M. LUKSIC	21 JAN 2014
APVD	M. LUKSIC	21 JAN 2014
PRODUCT SPEC	108-133014	
APPLICATION SPEC	114-32111	
WEIGHT	-	

STE TE Connectivity

NAME: PANEL MOUNT, PIN; SEALED NECTOR M-LINE 5 POLE

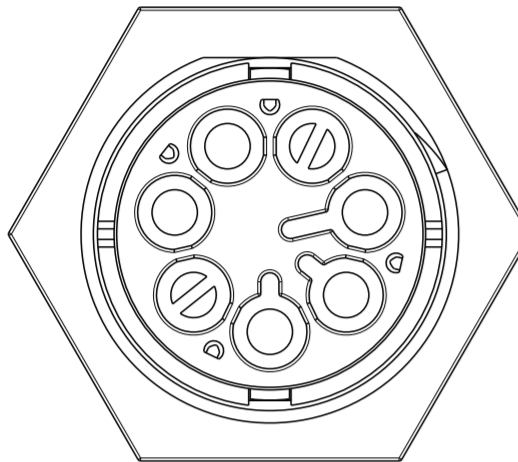
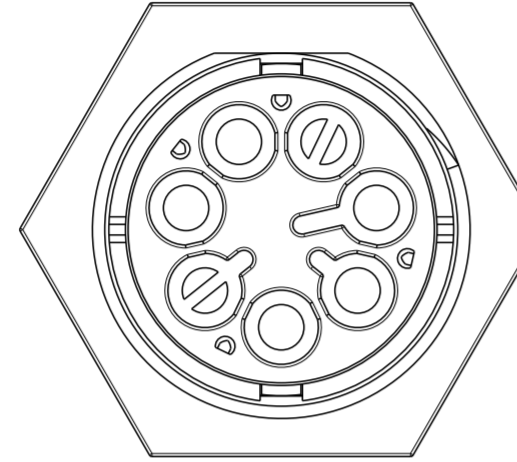
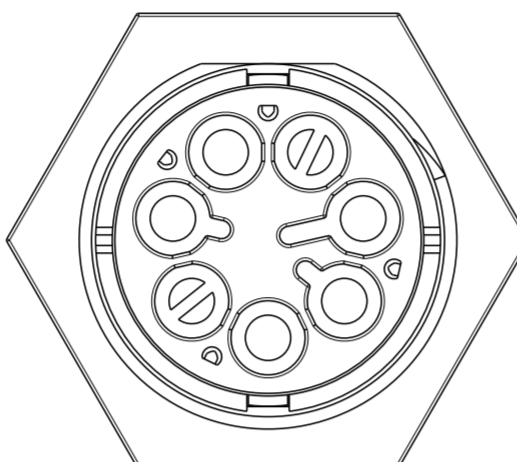
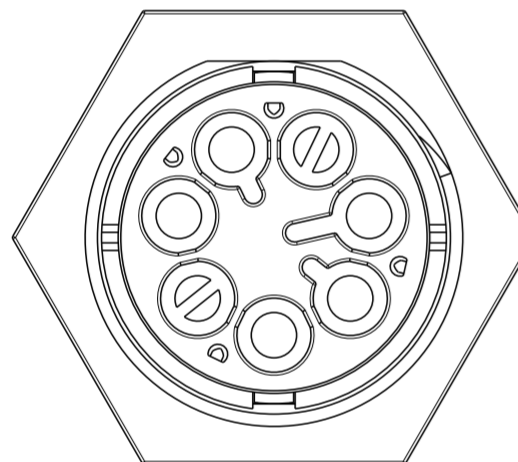
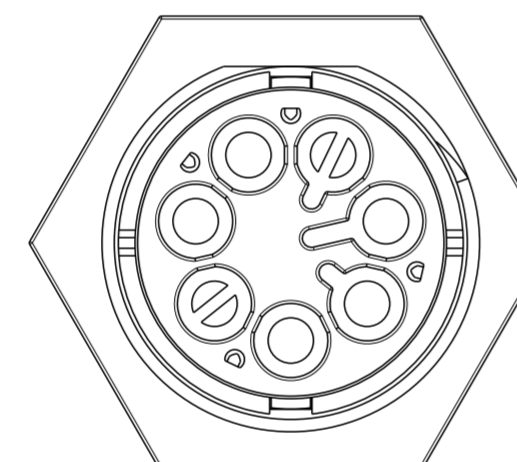
SIZE	CAGE CODE	DRAWING NO	RESTRICTED TO
A2	-	G-2213394	-
SCALE	2:1	SHEET	1 OF 2
		REV	A

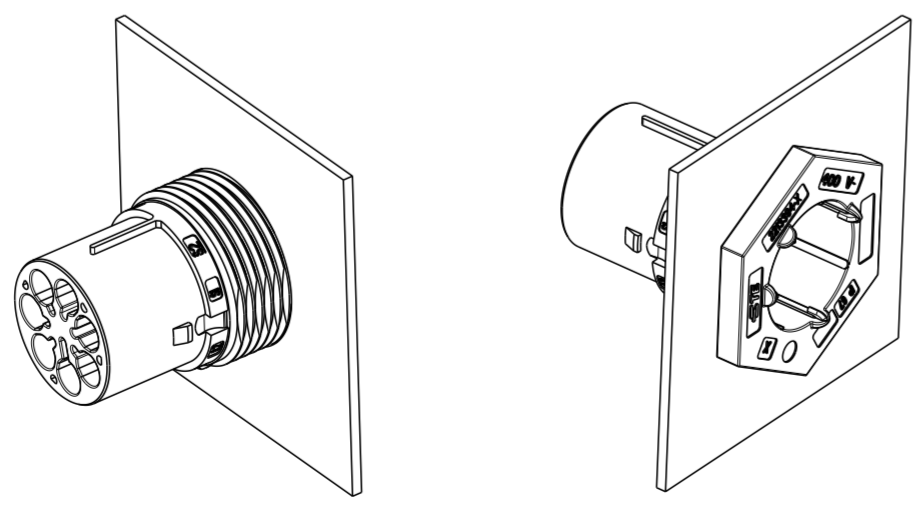
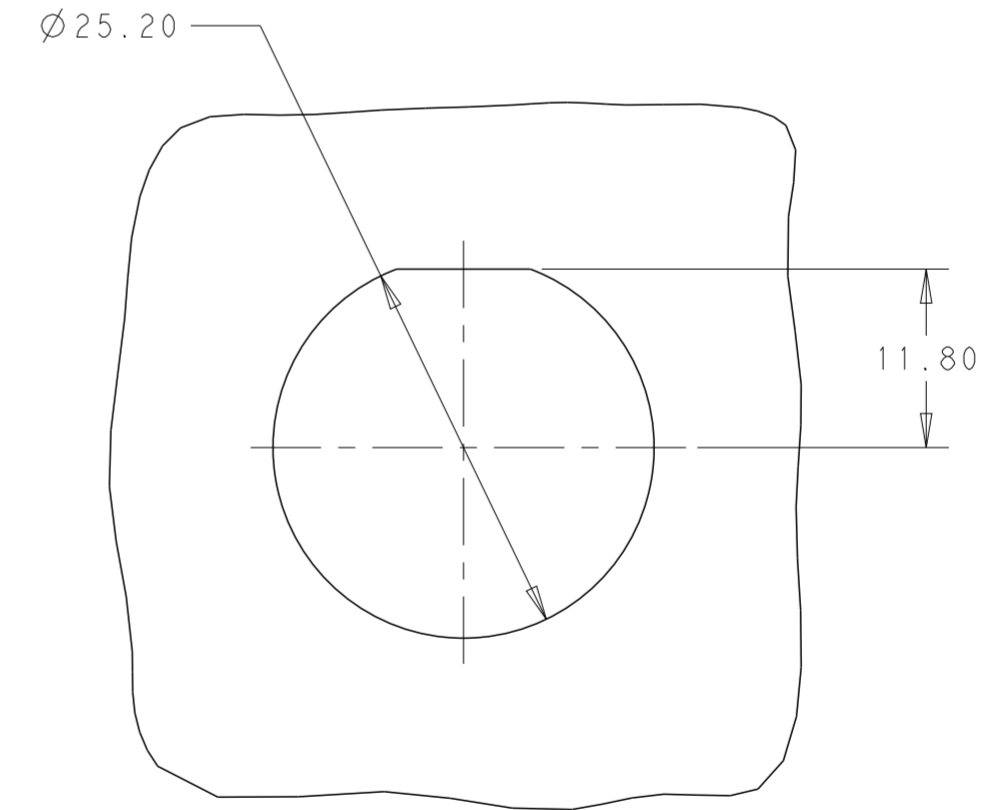
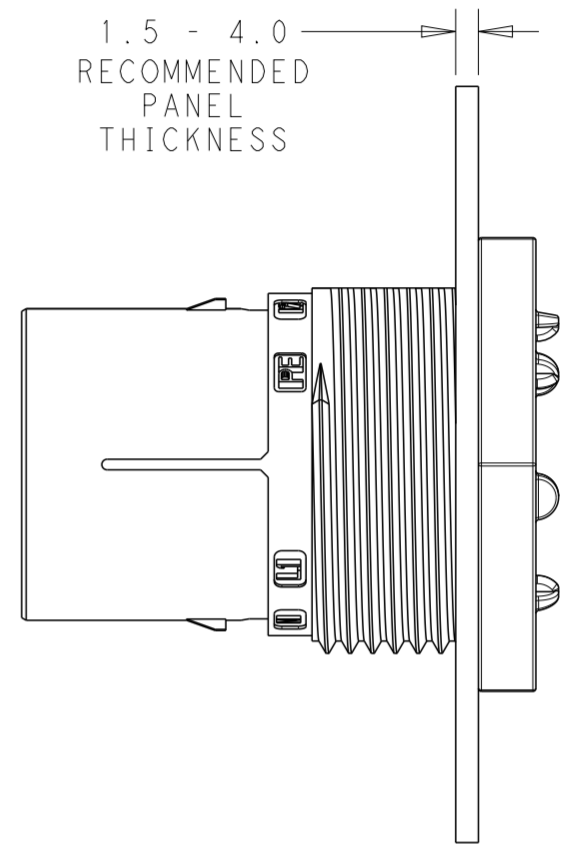
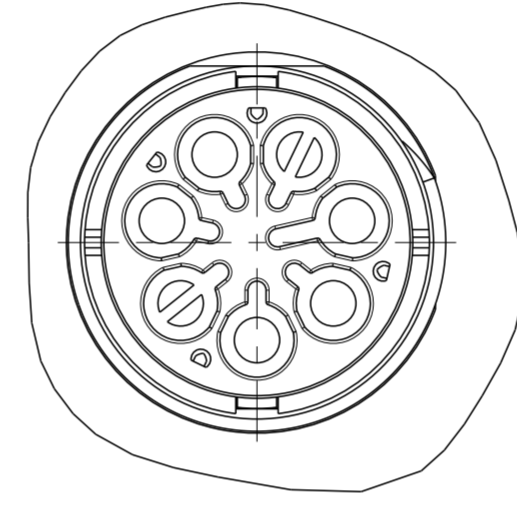
Customer Drawing

THIS DRAWING IS UNPUBLISHED. RELEASED FOR PUBLICATION 20
 © COPYRIGHT 20 BY - ALL RIGHTS RESERVED.

REVISIONS				
P	LTR	DESCRIPTION	DATE	APVD
-	-	SEE SHEET 1	-	-

POLARIZATION TYPES

POLARIZATION TYPE "A"	POLARIZATION TYPE "B"	POLARIZATION TYPE "C"
		
PN: 2213394-1	PN: 2213394-2	PN: 2213394-3
POLARIZATION TYPE "D"	POLARIZATION TYPE "E"	
		
PN: 2213394-4	PN: 2213394-5	



3D ISO VIEWS FOR REFERENCE ONLY

THIS DRAWING IS A CONTROLLED DOCUMENT.		DWN J. SHAFFER 21 JAN 2014	STE TE Connectivity	
DIMENSIONS: mm		CHK M. LUKSIC 21 JAN 2014		
TOLERANCES UNLESS OTHERWISE SPECIFIED:		APVD M. LUKSIC 21 JAN 2014	NAME PANEL MOUNT, PIN; SEALED NECTOR M-LINE 5 POLE	
0 PLC ±	1 PLC ±0.2	PRODUCT SPEC 108-133014	SIZE A2	CAGE CODE -
2 PLC ±0.13	3 PLC ±	APPLICATION SPEC 114-32111	DRAWING NO. C-2213394	RESTRICTED TO -
4 PLC ±	ANGLES ±	WEIGHT -	SCALE 2:1	SHEET 2 OF 2
MATERIAL NOTE 1	FINISH -	Customer Drawing	REV A	