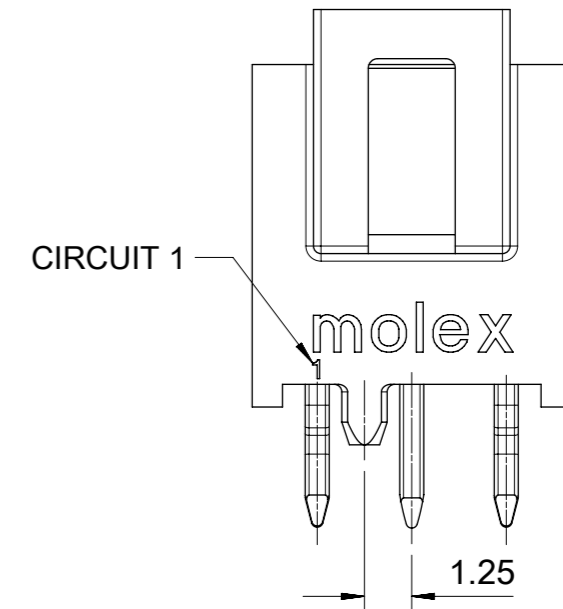
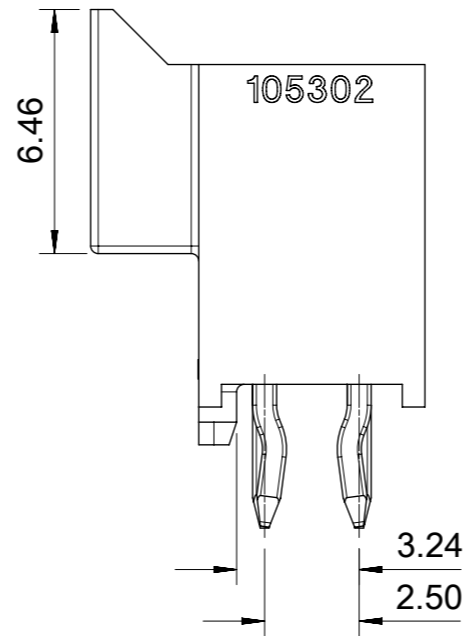
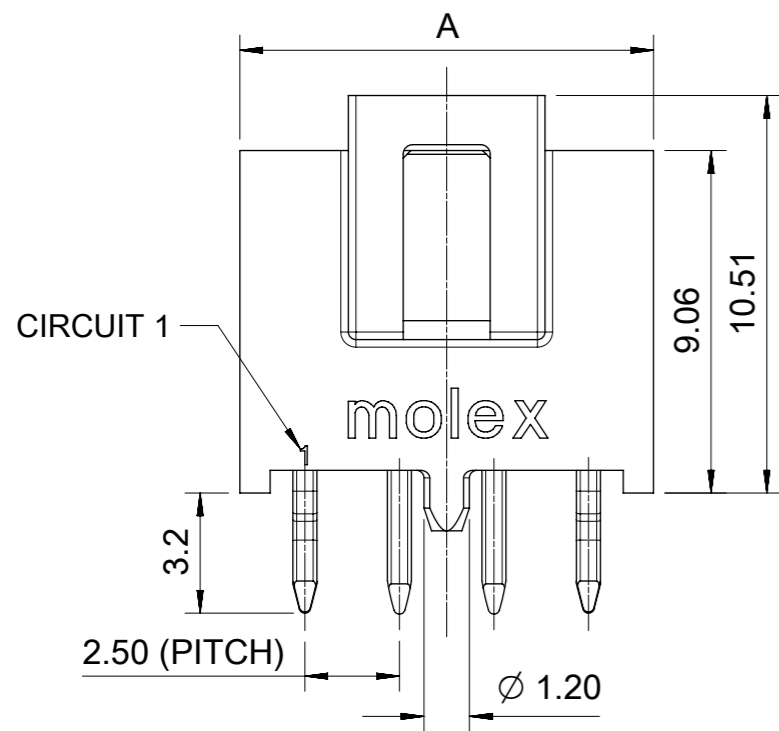
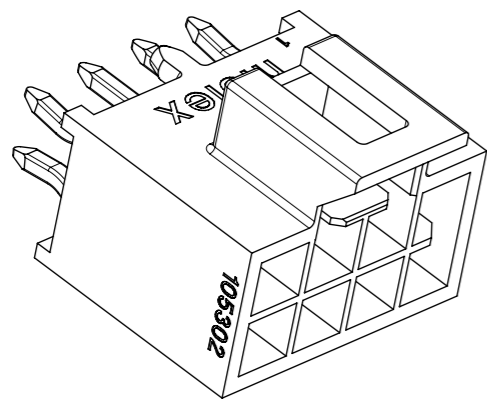


RECOMMENDED PCB(CONNECTOR SIDE VIEW)
THICKNESS=1.6 TO 2.4 MM

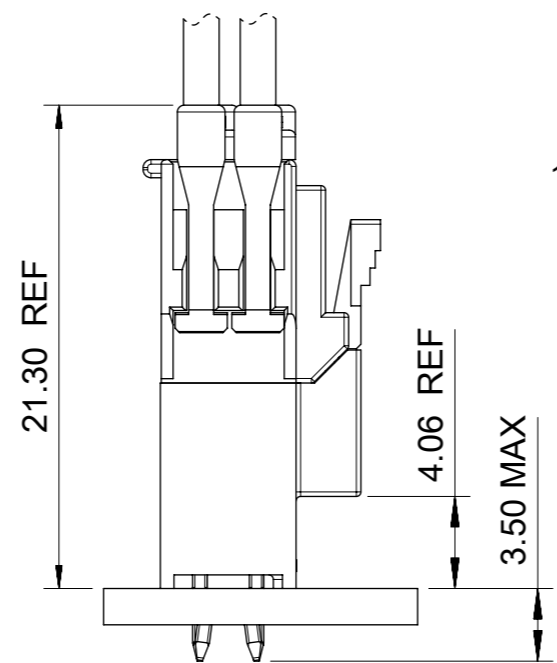


ONLY FOR CKT 6, 10, 14
OTHER DIMENSIONS REFER TO LEFT VIEWS.



QUALITY SYMBOLS		THIS DRAWING CONTAINS INFORMATION THAT IS PROPRIETARY TO MOLEX ELECTRONIC TECHNOLOGIES, LLC AND SHOULD NOT BE USED WITHOUT WRITTEN PERMISSION									
∇_A	= 0	EC NO: 106006 DRWN: GLLI CHK'D: AYIN APPR: AYIN	2016/06/21 2016/07/05	GENERAL TOLERANCES (UNLESS SPECIFIED)		DIMENSION UNITS	SCALE				
∇_E	= 0			ANGULAR TOL $\pm 3.0^\circ$		MM	5:1				
∇_F	= 0			4 PLACES \pm		DRWN BY	DATE				
∇_G	= 0			3 PLACES ± 0.1		GLLI	2013/10/30				
∇_H	= 0			2 PLACES ± 0.2		CHK'D BY	DATE				
∇_I	= 0			1 PLACE ± 0.3		APPR BY	DATE				
∇_J	= 0	0 PLACES \pm		AYIN	2015/04/08	DRAWING SIZE		THIRD ANGLE PROJECTION			
∇_K	= 0	DRAFT WHERE APPLICABLE MUST REMAIN WITHIN DIMENSIONS		A3				PRODUCT CUSTOMER DRAWING			
∇_L	= 0					SERIES	MATERIAL NUMBER	CUSTOMER			
						105310	SEE SHEET 2	GENERAL MARKET			
						DOCUMENT NUMBER		DOC TYPE	DOC PART	SHEET NUMBER	
						SD-105310-100		PSD	000	1 OF 3	

PART NUMBER	DIM 'A'	DIM 'B'	CKT SIZE	PLATING
105310-1204	5.94	2.50	4	GOLD 0.38
105310-1206	8.44	5.00	6	
105310-1208	10.94	7.50	8	
105310-1210	13.44	10.00	10	
105310-1212	15.94	12.50	12	
105310-1214	18.44	15.00	14	
105310-1216	20.94	17.50	16	
105310-1304	5.94	2.50	4	
105310-1306	8.44	5.00	6	
105310-1308	10.94	7.50	8	
105310-1310	13.44	10.00	10	
105310-1312	15.94	12.50	12	
105310-1314	18.44	15.00	14	
105310-1316	20.94	17.50	16	
TBD				TIN
COLOR: BLACK				



105310- * * * *
 * CIRCUIT SIZE
 * PLATING OPTION
 1 - TIN
 2 - GOLD 0.38
 3 - GOLD 0.76
 * COLOR OPTION
 1 - BLACK
 2 - NATURAL

PART NUMBER	DIM 'A'	DIM 'B'	CKT SIZE	PLATING
105310-2204	5.94	2.50	4	GOLD 0.38
105310-2206	8.44	5.00	6	
105310-2208	10.94	7.50	8	
105310-2210	13.44	10.00	10	
105310-2212	15.94	12.50	12	
105310-2214	18.44	15.00	14	
105310-2216	20.94	17.50	16	
105310-2304	5.94	2.50	4	
105310-2306	8.44	5.00	6	
105310-2308	10.94	7.50	8	
105310-2310	13.44	10.00	10	
105310-2312	15.94	12.50	12	
105310-2314	18.44	15.00	14	
105310-2316	20.94	17.50	16	
TBD				TIN
COLOR: NATURAL				

NOTES FOR ALL PARTS

- 1> MATERIAL:
HOUSING: LCP; TERMINAL: BRASS; SOLDER CLIP: BRASS.
- 2> PLATING FINISHED:
TERMINAL:
CONTACT AREA: a. TIN 1.5MICRONS MIN; b. GOLD 0.38 MICRONS MIN;
c. GOLD 0.76 MICRONS MIN.
SOLDER AREA: TIN 1.5 MICRONS MIN, UNDER PLATING NICKEL 1.25 MICRONS MIN.
SOLDER CLIP: TIN 2.5 MICRONS MIN, UNDER PLATING NICKEL 1.25 MICRONS MIN.
- 3> PRODUCT SPECIFICATION: PS-105300-100.
- 4> PACKAGE: TRAY, PK-105309-100.
- 5> ALL COMPONENTS AND PRODUCT COMPLIANT TO RoHS DIRECTIVE 2011/65/EU AND ELV DIRECTIVE 2000/53/EC.
- 6> PRODUCT MATE WITH SERIES OF 105308(RECEPTACLE), 105300(CRIMP TERMINAL).
- 7> PARTS CONFORM TO CLASS 'B'REQUIREMENTS OF COSMETIC SPECIFICATION PS-45499-002.
- 8> DISCOLORATION IN THE BANDOLIER PIN CARRIER AREA OF THE PIN IS INHERENT TO THE PLATING PROCESS AND IS DUE TO THE MASKING DEFECT OF THE CARRIER, THIS DISCOLORATION IS IN A NON-FUNCTION AREA OF THE PIN AND WILL NOT AFFECT THE PERFORMANCE OF THE HEADER ASSEMBLY.

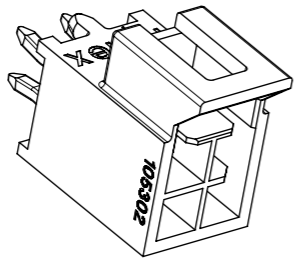
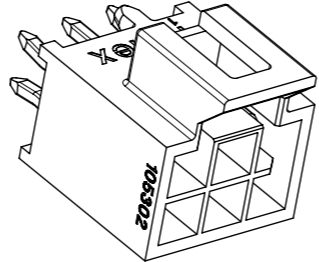
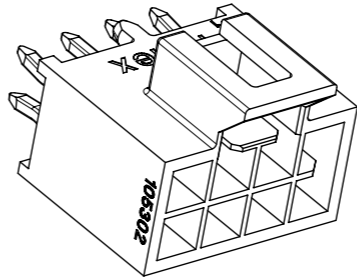
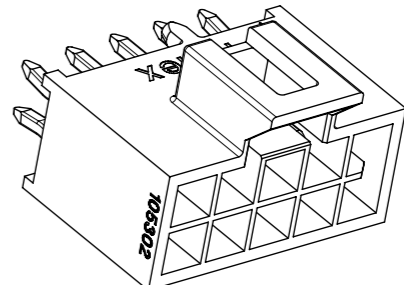
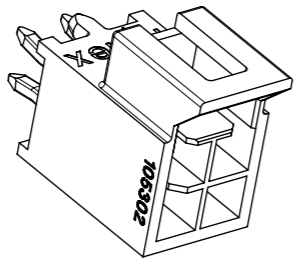
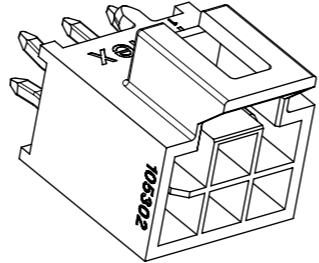
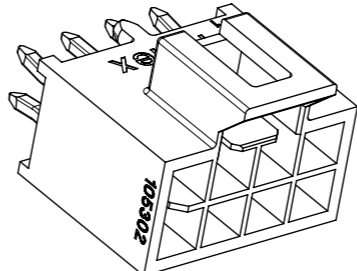
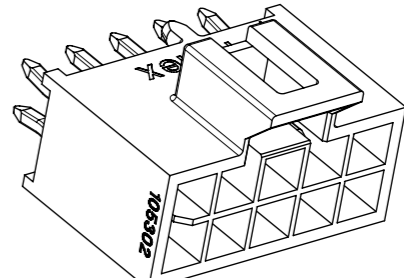
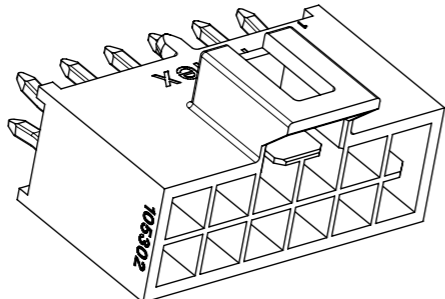
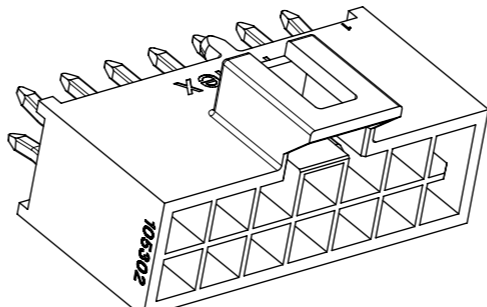
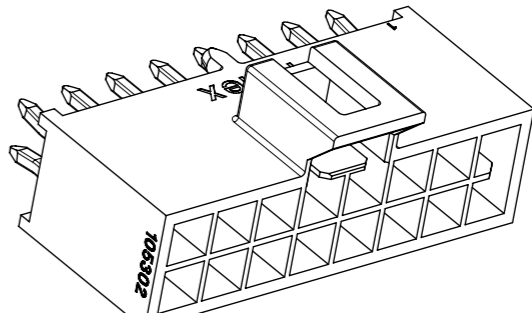
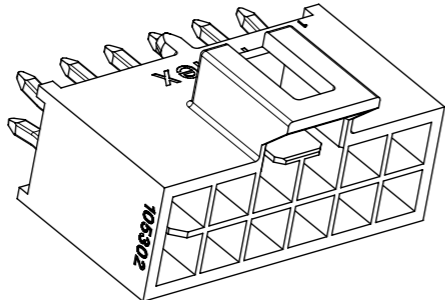
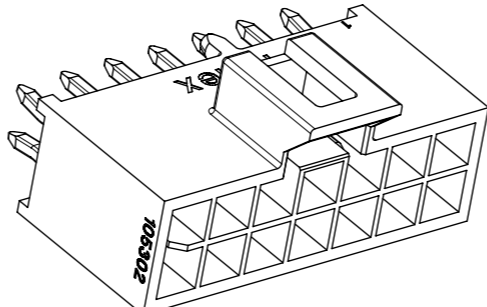
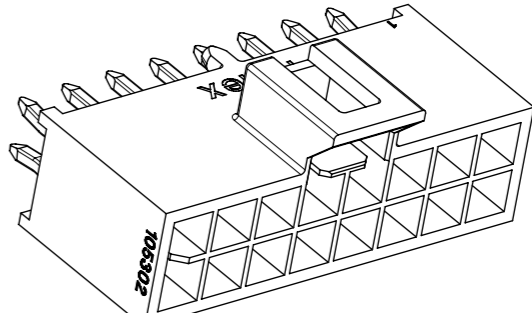
QUALITY SYMBOLS ▽A = 0 ▽E = 0 ▽B = 0 ▼ = 0 ▽C = 0 ⊗ = 0 ■ = 0 ▽ = 0	THIS DRAWING CONTAINS INFORMATION THAT IS PROPRIETARY TO MOLEX ELECTRONIC TECHNOLOGIES, LLC AND SHOULD NOT BE USED WITHOUT WRITTEN PERMISSION			
	2016/06/21	2016/07/05	GENERAL TOLERANCES (UNLESS SPECIFIED)	DIMENSION UNITS SCALE
	EC NO: 106006 DRWN: GLLI CHK'D: AYIN APPR: AYIN	ANGULAR TOL ± 3.0 °		MM 3:1
		4 PLACES ±	DRWN BY DATE	GLLI 2013/10/30
3 PLACES ± 0.1		CHK'D BY DATE		
2 PLACES ± 0.2		APPR BY DATE	AYIN 2015/04/08	
1 PLACE ± 0.3	DRAWING SIZE	A3	THIRD ANGLE PROJECTION	
0 PLACES ±	DRAFT WHERE APPLICABLE MUST REMAIN WITHIN DIMENSIONS			

molex

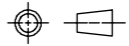
HEADER OF NANO-FIT, D/R, KINK, VERTICAL POWER CONNECTOR

PRODUCT CUSTOMER DRAWING

SERIES	MATERIAL NUMBER	CUSTOMER
105310	SEE CHART	GENERAL MARKET
DOCUMENT NUMBER	DOC TYPE	DOC PART SHEET NUMBER
SD-105310-100	PSD	000 2 OF 3

		4 CKT	6 CKT	8 CKT	10 CKT
E	BLACK				
D	NATURAL				
		12 CKT	14 CKT	16 CKT	
C	BLACK				
B	NATURAL				

C

THIS DRAWING CONTAINS INFORMATION THAT IS PROPRIETARY TO MOLEX ELECTRONIC TECHNOLOGIES, LLC AND SHOULD NOT BE USED WITHOUT WRITTEN PERMISSION																			
QUALITY SYMBOLS		2016/06/21		2016/07/05		GENERAL TOLERANCES (UNLESS SPECIFIED)		DIMENSION UNITS		SCALE									
▽A	= 0	EC NO: 106006		CHK'D: AYIN		ANGULAR TOL ± 3.0 °		MM		3:1									
▽E	= 0	DRWN: GLLI		APPR: AYIN		4 PLACES ±		DRWN BY		DATE									
▽F	= 0	REV: C				3 PLACES ± 0.1		GLLI		2013/10/30									
▽B	= 0					2 PLACES ± 0.2		CHK'D BY		DATE									
▽C	= 0					1 PLACE ± 0.3		APPR BY		DATE									
▽D	= 0					0 PLACES ±		AYIN		2015/04/08									
▽	= 0					DRAFT WHERE APPLICABLE MUST REMAIN WITHIN DIMENSIONS		DRAWING SIZE		THIRD ANGLE PROJECTION									
▽	= 0							A3											
								molex											
								HEADER OF NANO-FIT, D/R, KINK, VERTICAL POWER CONNECTOR											
								PRODUCT CUSTOMER DRAWING											
RELEASE STATUS		P1		RELEASE DATE		06.07.2016		08:27:36		<table border="1"> <tr> <td>SERIES</td> <td>MATERIAL NUMBER</td> <td colspan="2">CUSTOMER</td> </tr> <tr> <td>105310</td> <td>SEE SHEET 2</td> <td colspan="2">GENERAL MARKET</td> </tr> </table>		SERIES	MATERIAL NUMBER	CUSTOMER		105310	SEE SHEET 2	GENERAL MARKET	
SERIES	MATERIAL NUMBER	CUSTOMER																	
105310	SEE SHEET 2	GENERAL MARKET																	
								DOCUMENT NUMBER		DOC TYPE		DOC PART		SHEET NUMBER					
								SD-105310-100		PSD		000		3 OF 3					