

HEADER WITH LEFT HOLD DOWN (FIGURE 1)				
PART NUMBER	NUMBER OF POWER MODULES	"DIM A"	PLATING OPTION	LEFT HOLD DOWN MODULE LOCATION ⁹
78347-100*	1X	15.00	TIN	REFER TO SHEET 2 FOR DETAILS
78347-10**	2X	26.40		

HEADER WITH RIGHT HOLD DOWN (FIGURE 2)				
PART NUMBER	NUMBER OF POWER MODULES	"DIM A"	PLATING OPTION	RIGHT HOLD DOWN MODULE LOCATION ⁹
78347-200*	1X	15.00	TIN	REFER TO SHEET 3 FOR DETAILS
78347-20**	2X	26.40		

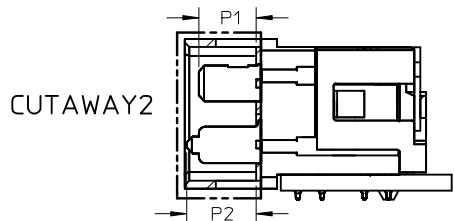


FIGURE 3: BLADE P1 AND P2 LOCATION

NOTES:

- MATERIALS:
HOUSING - LCP, GLASS FILLED, UL 94-V0, BLACK.
POWER PIN - COPPER ALLOY.
- FINISHES:
0.76µm MINIMUM GOLD AT CONTACT AREA AND
2.54µm MINIMUM TIN AT SOLDER TAIL AREA OVER
1.27µm MINIMUM NICKEL UNDERPLATE.
- PRODUCT SPECIFICATION: PS-78213-001.
- PACKAGING SPECIFICATION:
PK-78347-001 (1X MODULE WITH HOLD DOWN MODULE)
PK-78347-002 (2X MODULE WITH HOLD DOWN MODULE)
- ⁵ REFER TO MOLEX PRODUCT SPECIFICATION PS-78213-001 FOR PLATED THROUGH-HOLE SPECIFICATIONS AND TORQUE FORCE.
- MATES WITH 78212-**** or 78348-****.
- ⁷ PART NUMBER AND YEAR-DAY CODE CAN BE AT THE OPPOSITE SIDE.
- ⁸ ADD 11.40mm FOR EACH ADDITIONAL POWER MODULE.
- ⁹ THE DETAILS FOR LEFT & RIGHT HOLD DOWN OPTION ARE SHOWN IN SHEET 2, 3 AND SHEET 4 RESPECTIVELY.
- CONNECTORS ARE PACKED IN A TRAY.
- ¹¹ FIRST POWER MODULE (#1) STARTS FROM THE RIGHT.
- REFER TO SD-78211-002 FOR DETAILS OF THE POWER MODULE.
- ¹³ ALL PARTS ARE SHIPPED WITH A 2-32 TYPE AB SELF-TAPPING SCREW PART NUMBER 73726-0000.
- ¹⁴ COMPONENT STAY AWAY ZONE FROM CONNECTOR.

PLATING OPTION	HOLD DOWN MODULE LOCATION	*
TIN	LEFT	1
	RIGHT	2

*	BLADE LENGTH	
	P1	P2
0	MODULE NOT PRESENT	
1	6.90	6.90
2	5.70	5.70
3	6.90	5.70
4	5.70	6.90

*	BLADE LENGTH	
	P1	P2
1	6.90	6.90
2	5.70	5.70
3	6.90	5.70
4	5.70	6.90

78347-*0**

FIGURE 1: HEADER WITH LEFT HOLD DOWN

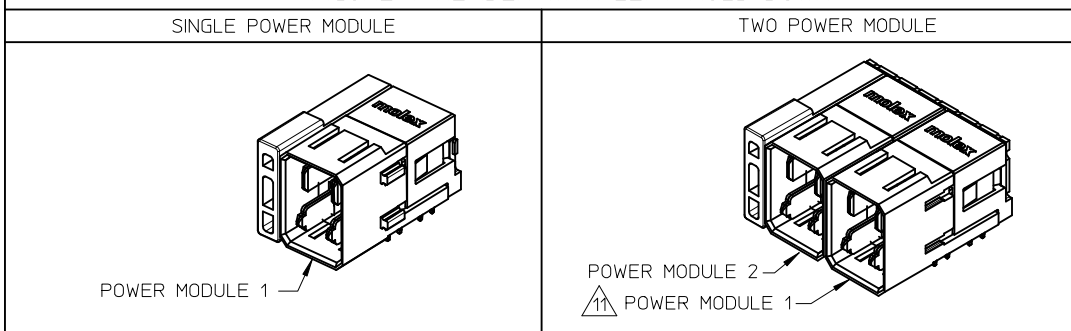
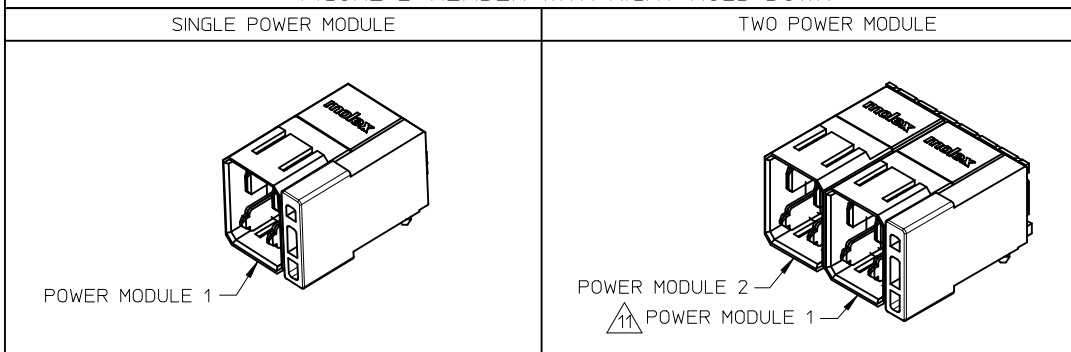
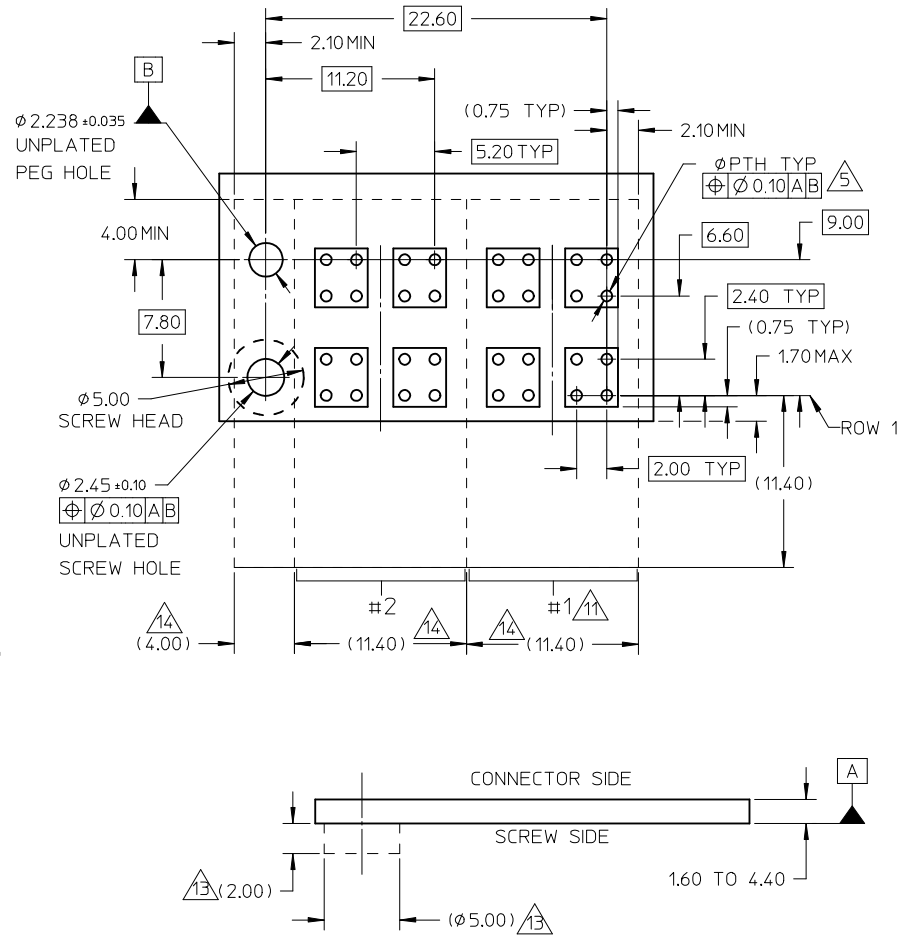
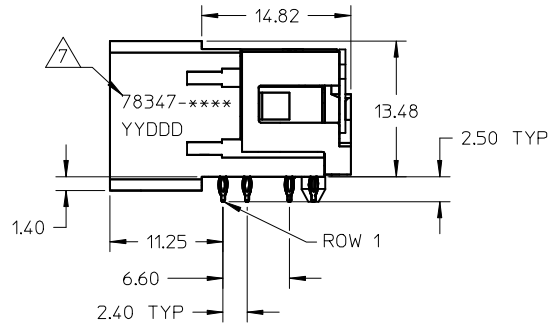
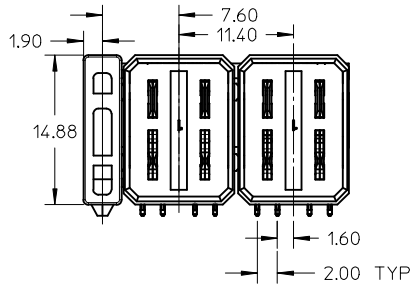
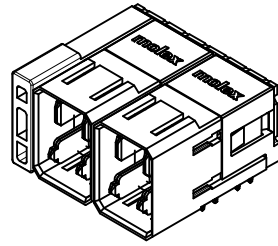
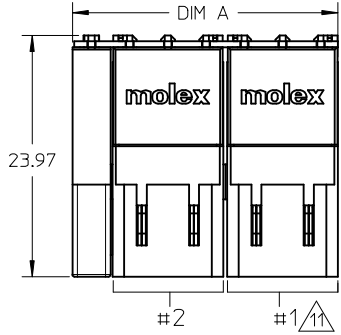


FIGURE 2: HEADER WITH RIGHT HOLD DOWN



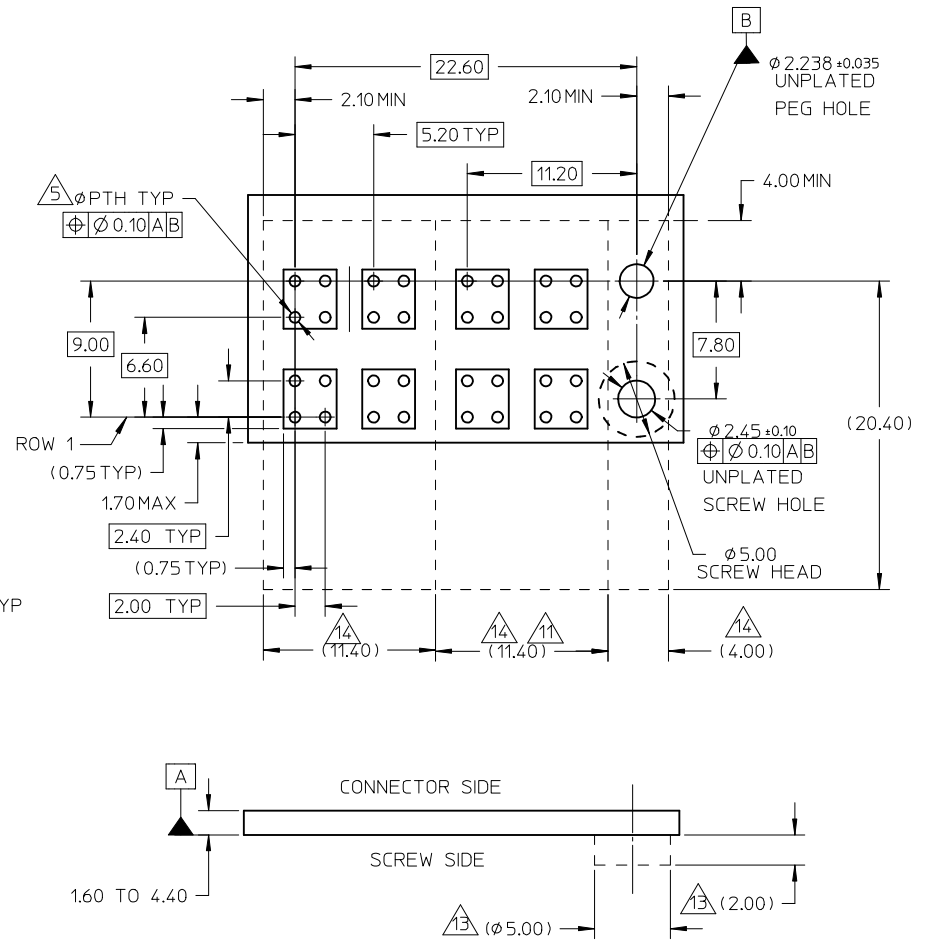
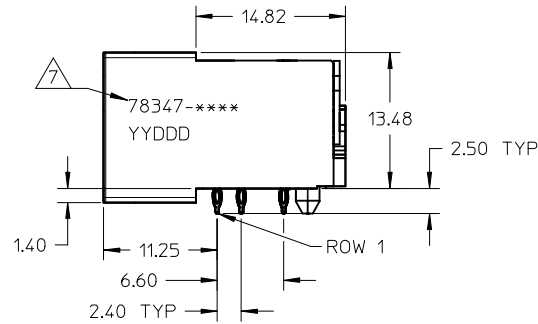
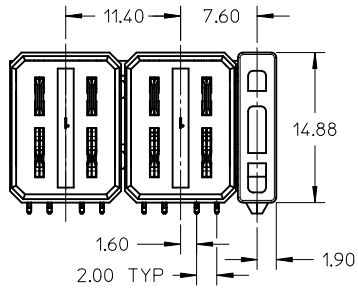
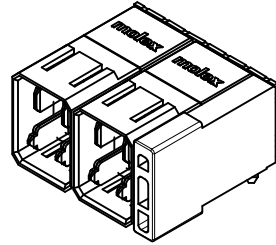
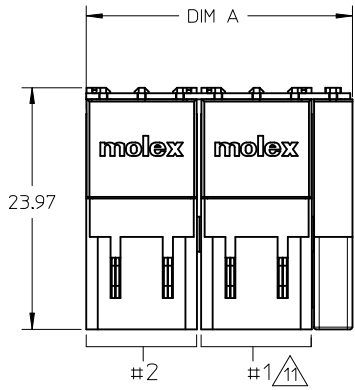
SEE SHEET 3 EC NO: SZ016-0735 DRWN: SHONG CHKD: BOKOK APPR: SHLENI 2016/02/16 2016/02/17 2016/02/22	QUALITY SYMBOLS $F_A=0$ $F_E=0$ $F_P=0$	GENERAL TOLERANCES (UNLESS SPECIFIED)		DIMENSION STYLE MM ONLY		SCALE NTS	DESIGN UNITS METRIC	THIRD ANGLE PROJECTION	
			mm	INCH	DRAWN BY ANG	DATE 2009/08/21	TITLE IMPACT POWER, 3 PAIR R/A HEADER W/HOLD DOWN PRESS-FIT		
		4 PLACES	± ---	± ---	CHECKED BY LNG	DATE 2009/08/27			
		3 PLACES	± ---	± ---	APPROVED BY SHONG	DATE 2011/02/08			
2 PLACES	± 0.25	± ---	MATERIAL NO.		DOCUMENT NO.	SHEET NO.			
1 PLACE	± ---	± ---	DRAFT WHERE APPLICABLE		SD-78347-001		1 OF 5		
0 PLACE	± ---	± ---	ANGULAR ± 3 °		THIS DRAWING CONTAINS INFORMATION THAT IS PROPRIETARY TO MOLEX INCORPORATED AND SHOULD NOT BE USED WITHOUT WRITTEN PERMISSION				
DRAFT WHERE APPLICABLE MUST REMAIN WITHIN DIMENSIONS		SIZE A3							

LEFT HOLD DOWN OPTION

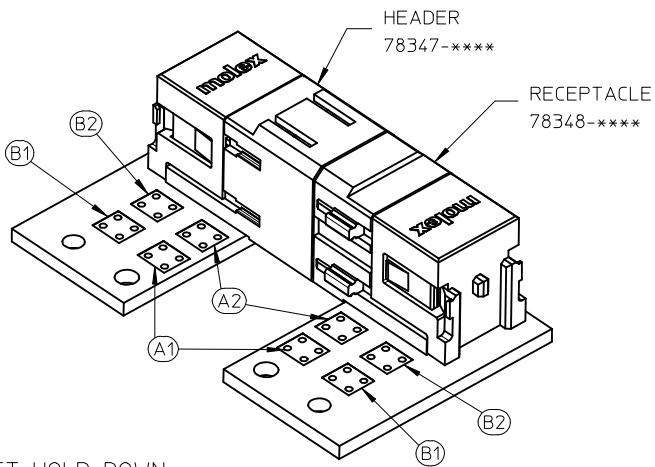


SEE SHEET 3 EC NO: S2016-0735 DRWNSHONG 2016/02/16 CHKD:BOUKOK 2016/02/17 APPR:SHLENI 2016/02/22	QUALITY SYMBOLS	GENERAL TOLERANCES (UNLESS SPECIFIED)		DIMENSION STYLE MM ONLY		SCALE NTS	DESIGN UNITS METRIC	THIRD ANGLE PROJECTION
	$F_A=0$	4 PLACES	mm	INCH	DRAWN BY	DATE	TITLE	
	$F_E=0$	3 PLACES	± ---	± ---	ANG	2009/08/21	IMPACT POWER, 3 PAIR R/A HEADER W/HOLD DOWN PRESS-FIT	
	$F_B=0$	2 PLACES	± 0.25	± ---	CHECKED BY	DATE	moLEX	
		1 PLACE	± ---	± ---	APPROVED BY	DATE	DOCUMENT NO.	
		0 PLACE	± ---	± ---	SHONG	2011/02/08	SD-78347-001	
		ANGULAR ± 3°		MATERIAL NO.		SHEET NO.		
		DRAFT WHERE APPLICABLE MUST REMAIN WITHIN DIMENSIONS		SEE TABLE		2 OF 5		
				SIZE A3		THIS DRAWING CONTAINS INFORMATION THAT IS PROPRIETARY TO MOLEX INCORPORATED AND SHOULD NOT BE USED WITHOUT WRITTEN PERMISSION		

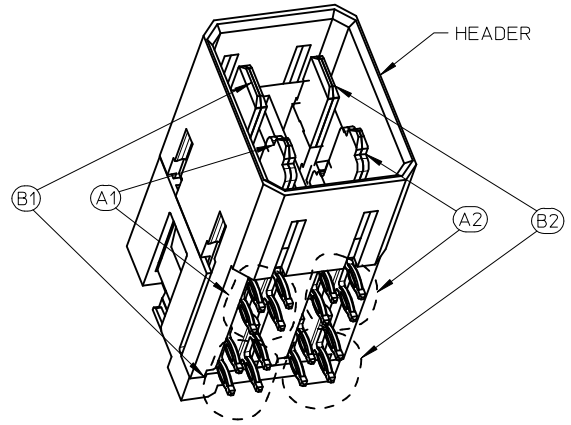
RIGHT HOLD DOWN OPTION



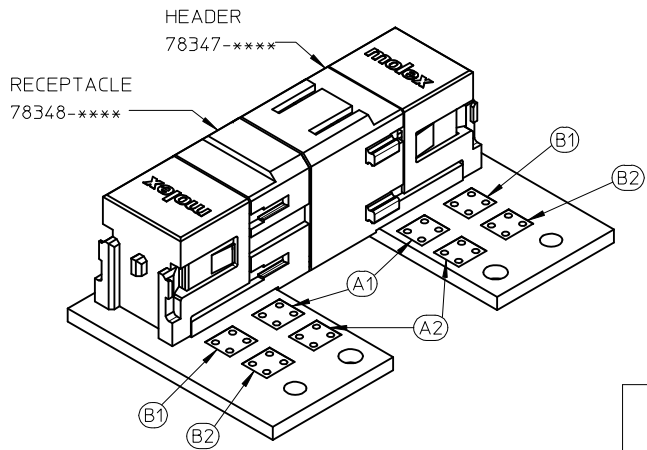
CORRECT TYPO-ERROR EC NO: S2016-0735 DRWN: SHONG CHKD: BOKOK APPR: SHLENI	DESCRIPTION 2016/02/16 2016/02/17 2016/02/22	REV B7	QUALITY SYMBOLS FA=0 FC=0 FP=0	GENERAL TOLERANCES (UNLESS SPECIFIED)		DIMENSION STYLE MM ONLY		SCALE NTS	DESIGN UNITS METRIC	THIRD ANGLE PROJECTION			
				4 PLACES	± ---	± ---	DRAWN BY ANG	DATE 2009/08/21	TITLE IMPACT POWER, 3 PAIR R/A HEADER W/HOLD DOWN PRESS-FIT molex DOCUMENT NO. SD-78347-001 SHEET NO. 3 OF 5				
				3 PLACES	± ---	± ---	CHECKED BY LNG	DATE 2009/08/27					
				2 PLACES	± 0.25	± ---	APPROVED BY SHONG	DATE 2011/02/08					
1 PLACE	± ---	± ---	MATERIAL NO. SEE TABLE										
0 PLACE	± ---	± ---	DRAFT WHERE APPLICABLE MUST REMAIN WITHIN DIMENSIONS		ANGULAR ± 3 °		THIS DRAWING CONTAINS INFORMATION THAT IS PROPRIETARY TO MOLEX INCORPORATED AND SHOULD NOT BE USED WITHOUT WRITTEN PERMISSION						



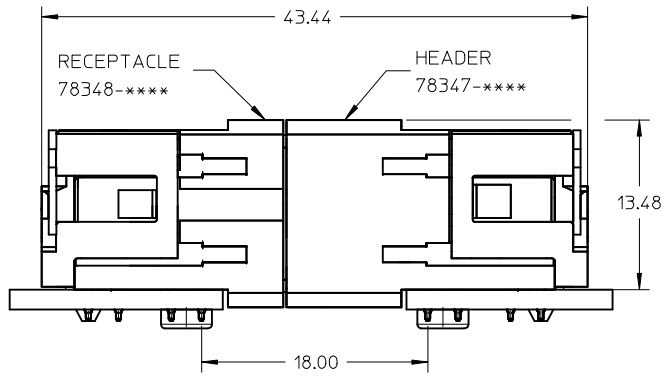
LEFT HOLD DOWN:
1 POWER MODULE AND HOLD DOWN REMOVED TO
ILLUSTRATE CIRCUIT PATH OF MATED SYSTEM



PIN NUMBER ASSIGNMENT BASED ON HEADER SIDE:
A1, B1 ON THE LEFT,
A2, B2 ON THE RIGHT.

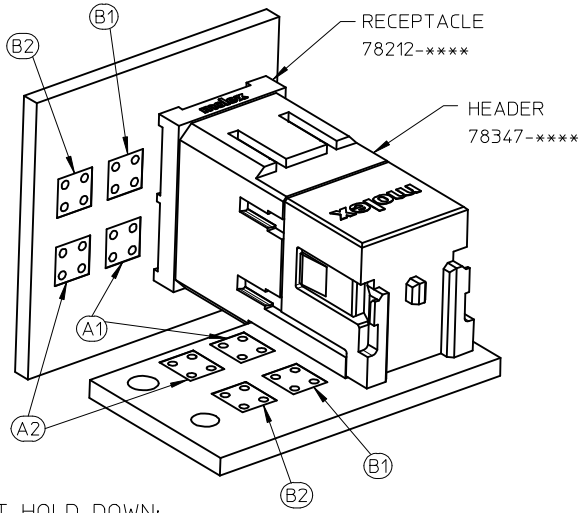


RIGHT HOLD DOWN:
1 POWER MODULE AND HOLD DOWN REMOVED TO
ILLUSTRATE CIRCUIT PATH OF MATED SYSTEM

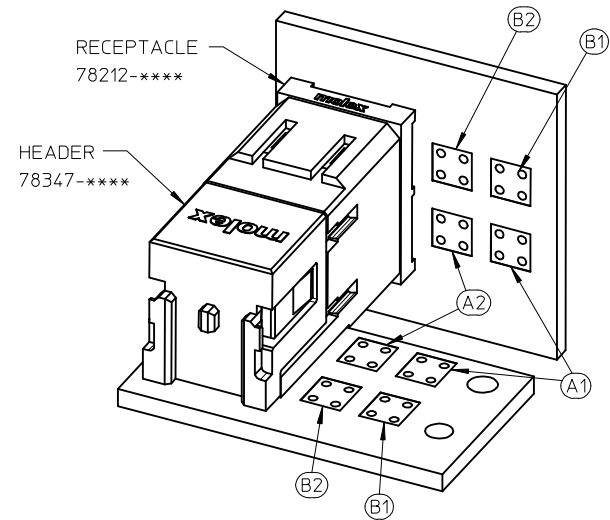


MATED SYSTEM OF 78347 & 78348

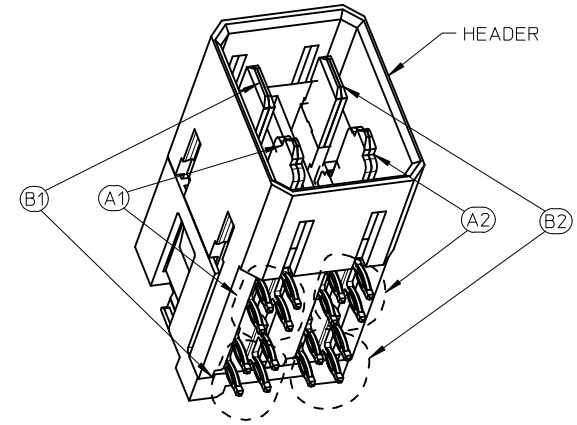
SEE SHEET 3 EC NO: S2016-0735 DRWNSHONG 2016/02/16 CHKD:BOXOK 2016/02/22 APPR:SHLENI 2016/02/22	QUALITY SYMBOLS	GENERAL TOLERANCES (UNLESS SPECIFIED)		DIMENSION STYLE MM ONLY		SCALE NTS	DESIGN UNITS METRIC	THIRD ANGLE PROJECTION
	$\nabla_F=0$	4 PLACES	mm	INCH	DRAWN BY ANG	DATE 2009/08/21	TITLE IMPACT POWER, 3 PAIR R/A HEADER W/HOLD DOWN PRESS-FIT molex DOCUMENT NO. SD-78347-001	SHEET NO. 4 OF 5
	$\nabla_E=0$	3 PLACES	± ---	± ---	CHECKED BY LNG	DATE 2009/08/27		
	$\nabla_D=0$	2 PLACES	± 0.25	± ---	APPROVED BY SHONG	DATE 2011/02/08		
	1 PLACE	± ---	± ---	MATERIAL NO.				
		0 PLACE	± ---	± ---	ANGULAR ± 3°		DRAFT WHERE APPLICABLE MUST REMAIN WITHIN DIMENSIONS	
REV	B7	SIZE A3		THIS DRAWING CONTAINS INFORMATION THAT IS PROPRIETARY TO MOLEX INCORPORATED AND SHOULD NOT BE USED WITHOUT WRITTEN PERMISSION				



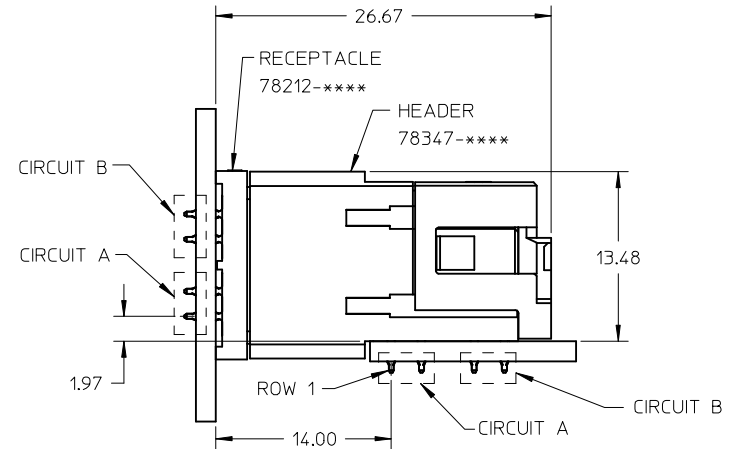
RIGHT HOLD DOWN:
1 POWER MODULE AND HOLD DOWN REMOVED TO ILLUSTRATE CIRCUIT PATH OF MATED SYSTEM



LEFT HOLD DOWN:
1 POWER MODULE AND HOLD DOWN REMOVED TO ILLUSTRATE CIRCUIT PATH OF MATED SYSTEM



PIN NUMBER ASSIGNMENT BASED ON HEADER SIDE:
A1, B1 ON THE LEFT,
A2, B2 ON THE RIGHT.



MATED SYSTEM OF 78347 & 78212

SEE SHEET 3 IEC NO: S2016-0735 DRWNSHONG 2016/02/16 CHKD:BOXKOK 2016/02/17 APPR:SHLENI 2016/02/22	QUALITY SYMBOLS $\nabla_F = 0$ $\nabla_E = 0$ $\nabla_B = 0$	GENERAL TOLERANCES (UNLESS SPECIFIED)		DIMENSION STYLE MM ONLY		SCALE NTS	DESIGN UNITS METRIC	THIRD ANGLE PROJECTION	
			mm	INCH	DRAWN BY ANG	DATE 2009/08/21	TITLE IMPACT POWER, 3 PAIR R/A HEADER W/HOLD DOWN PRESS-FIT molex DOCUMENT NO. SD-78347-001 SHEET NO. 5 OF 5		
		4 PLACES	± ---	± ---	CHECKED BY LNG	DATE 2009/08/27			
		3 PLACES	± ---	± ---	APPROVED BY SHONG	DATE 2011/02/08			
2 PLACES	± 0.25	± ---	MATERIAL NO.						
1 PLACE	± ---	± ---	ANGULAR ± 3°		DRAFT WHERE APPLICABLE MUST REMAIN WITHIN DIMENSIONS		THIS DRAWING CONTAINS INFORMATION THAT IS PROPRIETARY TO MOLEX INCORPORATED AND SHOULD NOT BE USED WITHOUT WRITTEN PERMISSION		
0 PLACE	± ---	± ---	SIZE A3						