

FLQ SERIES MIDGET (10x38mm) FUSES

500 Vac • Time-Delay • 1/10-30 A



Description

The FLQ series 500 Vac time-delay fuses provide excellent supplemental protection of control power transformers, solenoids, and circuits with high inrush currents.

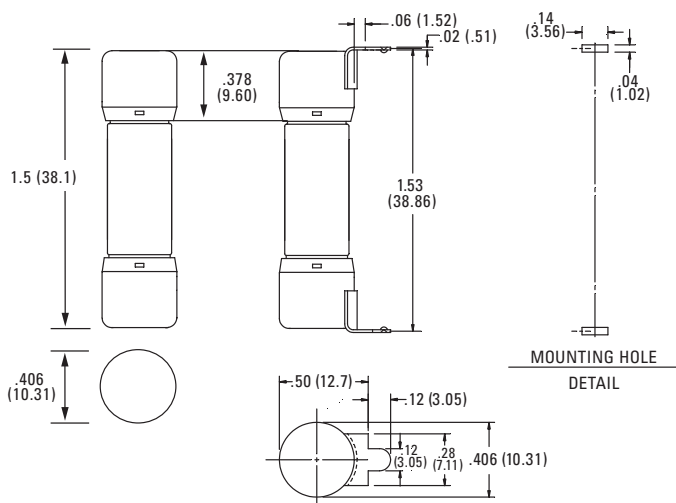
Features/Benefits

- Ideal for 480 Vac systems
- Time-Delay

Applications

- Control power transformers
- Solenoids
- Circuits with high inrush current

Dimensions Inches (mm)



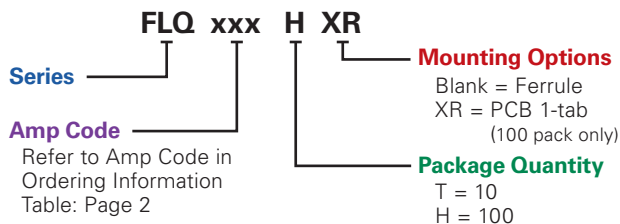
Specifications

Voltage Rating	AC: 500 Vac or less DC: 300 V
Amperage Rating	1/10 – 30 A
Interrupting Rating	AC: 10 kA rms symmetrical DC: 10 kA self-certified
Approvals	AC: UL Listed (File: E10480) CSA Certified (File: LR29862) DC: Littelfuse self-certified
Environmental	RoHS Compliant
Material:	Body: Melamine Caps: Copper Alloy (Nickel plated)
Country of Origin	Mexico

Ordering Information

AMPERAGE RATINGS						
1/10	3/10	1 1/8	2 1/2	5	9	25
1/8	4/10	1 1/4	3	5 6/10	10	30
15/100	1/2	1 1/2	3 2/10	6	12	—
3/16	6/10	1 6/10	3 1/2	6 1/4	14	—
2/10	8/10	2	4	7	15	—
1/4	1	2 1/4	4 1/2	8	20	—

Part Numbering System



SERIES	AMP	PACKAGE QUANTITY	MOUNTING METHOD	CATALOG NUMBER	ORDERING NUMBER
FLQ	1/10	10	FERRULE	FLQ.100	OFLQ.100T
FLQ	2	100	FERRULE	FLQ005	OFLQ002.H
FLQ	15	100	PCB 1-TAB	FLQ015R	OFLQ015.HXR

Note: additional ordering information on page 2

Recommended Fuse Holders

Littelfuse LFPSM Dead-Front Series
Littelfuse L60030M Open-Face Series

Web Resources

Download technical information: littelfuse.com/flq

FLQ SERIES MIDGET (10x38mm) FUSES

Ordering Information Ferrule Version

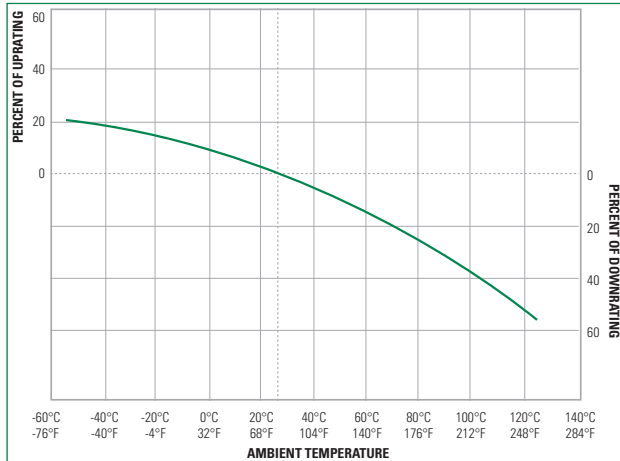
AMP RATING	AMP CODE	VOLTAGE (VAC)	INTERRUPTING RATING (kA)		CATALOG NUMBER	ORDERING NUMBER	UPC	AGENCY APPROVALS	
			AC	DC				UL	CSA
1/10	.100	500	10	10	FLQ.100	OFLQ.100T	07945816011	•	•
1/8	.125	500	10	10	FLQ.125	OFLQ.125T	07945816012	•	•
15/100	.150	500	10	10	FLQ.150	OFLQ.150T	07945816013	•	•
3/16	.187	500	10	10	FLQ.187	OFLQ.187T	07945816017	•	•
2/10	.200	500	10	10	FLQ.200	OFLQ.200T	07945816018	•	•
1/4	.250	500	10	10	FLQ.250	OFLQ.250T	07945816019	•	•
3/10	.300	500	10	10	FLQ.300	OFLQ.300T	07945800089	•	•
4/10	.400	500	10	10	FLQ.400	OFLQ.400T	07945816023	•	•
1/2	.500	500	10	10	FLQ.500	OFLQ.500T	07945816024	•	•
6/10	.600	500	10	10	FLQ.600	OFLQ.600T	07945800090	•	•
8/10	.800	500	10	10	FLQ.800	OFLQ.800T	07945800091	•	•
1	001.	500	10	10	FLQ001.	OFLQ001.T	07945816031	•	•
1 1/8	1.12	500	10	10	FLQ1.12	OFLQ1.12T	07945816032	•	•
1 1/4	1.25	500	10	10	FLQ1.25	OFLQ1.25T	07945816034	•	•
1 1/2	01.5	500	10	10	FLQ01.5	OFLQ01.5T	07945816037	•	•
1 5/10	01.6	500	10	10	FLQ01.6	OFLQ01.6T	07945816038	•	•
2	002.	500	10	10	FLQ002.	OFLQ002.T	07945816041	•	•
2 1/4	2.25	500	10	10	FLQ2.25	OFLQ2.25T	07945816042	•	•
2 1/2	02.5	500	10	10	FLQ02.5	OFLQ02.5T	07945816043	•	•
3	003.	500	10	10	FLQ003.	OFLQ003.T	07945816047	•	•
3 2/10	03.2	500	10	10	FLQ03.2	OFLQ03.2T	07945816049	•	•
3 1/2	03.5	500	10	10	FLQ03.5	OFLQ03.5T	07945816051	•	•
4	004.	500	10	10	FLQ004.	OFLQ004.T	07945816053	•	•
4 1/2	04.5	500	10	10	FLQ04.5	OFLQ04.5T	07945816054	•	•
5	005.	500	10	10	FLQ005	OFLQ005.T	07945816055	•	•
5 5/10	05.6	500	10	10	FLQ05.6	OFLQ05.6T	07945816056	•	•
6	006.	500	10	10	FLQ006	OFLQ006.T	07945816058	•	•
6 1/4	6.25	500	10	10	FLQ6.25	OFLQ6.25T	07945816059	•	•
7	007.	500	10	10	FLQ007	OFLQ007.T	07945816061	•	•
8	008.	500	10	10	FLQ008	OFLQ008.T	07945816063	•	•
9	009.	500	10	10	FLQ009	OFLQ009.T	07945816064	•	•
10	010.	500	10	10	FLQ010	OFLQ010.T	07945816065	•	•
12	012.	500	10	10	FLQ012	OFLQ012.T	07945816066	•	•
14	014.	500	10	10	FLQ014	OFLQ014.T	07945816067	•	•
15	015.	500	10	10	FLQ015	OFLQ015.T	07945816068	•	•
20	020.	500	10	10	FLQ020	OFLQ020.T	07945816071	•	•
25	025.	500	10	10	FLQ025	OFLQ025.T	07945816072	•	•
30	030.	500	10	10	FLQ030	OFLQ030.T	07945816073	•	•

Ordering Information
PCB Mount 1-Tab Version

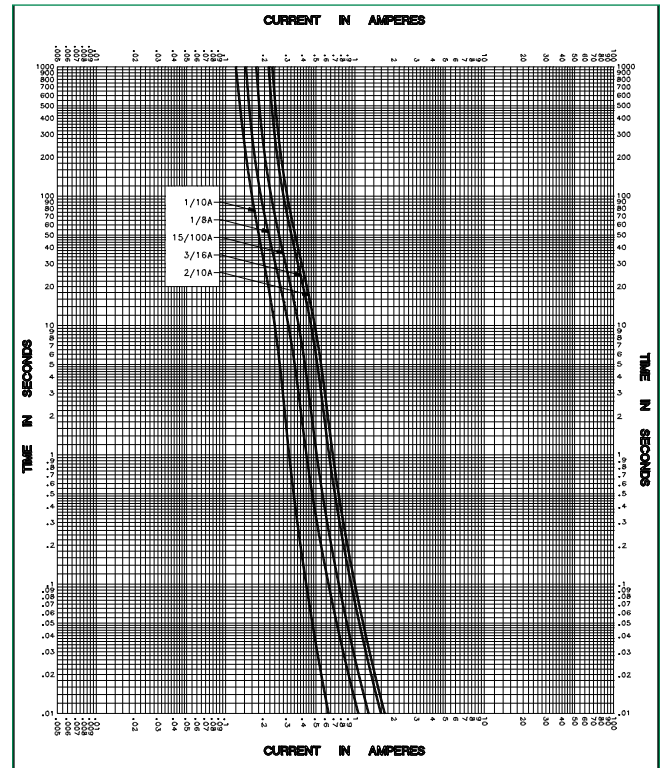
AMP RATING	AMP CODE	VOLTAGE (VAC)	INTERRUPTING RATING (kA)		CATALOG NUMBER	ORDERING NUMBER	UPC	AGENCY APPROVALS	
			AC	DC				UR	CE
15/100	.150	500	10	10	FLQ.150R	OFLQ.150HXR	07945894950	•	•
3/16	.187	500	10	10	FLQ.187R	OFLQ.187HXR	07945894951	•	•
2/10	.200	500	10	10	FLQ.200R	OFLQ.200HXR	07945894952	•	•
1/4	.250	500	10	10	FLQ.250R	OFLQ.250HXR	07945894953	•	•
3/10	.300	500	10	10	FLQ.300R	OFLQ.300HXR	07945894954	•	•
4/10	.400	500	10	10	FLQ.400R	OFLQ.400HXR	07945894955	•	•
1/2	.500	500	10	10	FLQ.500R	OFLQ.500HXR	07945894956	•	•
6/10	.600	500	10	10	FLQ.600R	OFLQ.600HXR	07945894957	•	•
8/10	.800	500	10	10	FLQ.800R	OFLQ.800HXR	07945894958	•	•
1	001.	500	10	10	FLQ001R	OFLQ001.HXR	07945894959	•	•
1 1/8	1.12	500	10	10	FLQ1.12R	OFLQ1.12HXR	07945894981	•	•
1 1/4	1.25	500	10	10	FLQ1.25R	OFLQ1.25HXR	07945894982	•	•
1 1/2	01.5	500	10	10	FLQ01.5R	OFLQ01.5HXR	07945894967	•	•
1 5/10	01.6	500	10	10	FLQ01.6R	OFLQ01.6HXR	07945894968	•	•
2	002.	500	10	10	FLQ002R	OFLQ002.HXR	07945894960	•	•
2 1/4	2.25	500	10	10	FLQ2.25R	OFLQ2.25HXR	07945894983	•	•
2 1/2	02.5	500	10	10	FLQ02.5R	OFLQ02.5HXR	07945894973	•	•
3	003.	500	10	10	FLQ003R	OFLQ003.HXR	07945894961	•	•
3 2/10	03.2	500	10	10	FLQ03.2R	OFLQ03.2HXR	07945894976	•	•
3 1/2	03.5	500	10	10	FLQ03.5R	OFLQ03.5HXR	07945894977	•	•
4	004.	500	10	10	FLQ004R	OFLQ004.HXR	07945894962	•	•
4 1/2	04.5	500	10	10	FLQ04.5R	OFLQ04.5HXR	07945894979	•	•
5	005.	500	10	10	FLQ005R	OFLQ005.HXR	07945894963	•	•
5 5/10	05.6	500	10	10	FLQ05.6R	OFLQ05.6HXR	07945894980	•	•
6 1/4	6.25	500	10	10	FLQ6.25R	OFLQ6.25HXR	07945894984	•	•
7	007.	500	10	10	FLQ007R	OFLQ007.HXR	07945894964	•	•
8	008.	500	10	10	FLQ008R	OFLQ008.HXR	07945894965	•	•
9	009.	500	10	10	FLQ009R	OFLQ009.HXR	07945894966	•	•
10	010.	500	10	10	FLQ010R	OFLQ010.HXR	07945894969	•	•
12	012.	500	10	10	FLQ012R	OFLQ012.HXR	07945807768	•	•
14	014.	500	10	10	FLQ014R	OFLQ014.HXR	07945894971	•	•
15	015.	500	10	10	FLQ015R	OFLQ015.HXR	07945894972	•	•
20	020.	500	10	10	FLQ020R	OFLQ020.HXR	07945894974	•	•
25	025.	500	10	10	FLQ025R	OFLQ025.HXR	07945894975	•	•
30	030.	500	10	10	FLQ030R	OFLQ030.HXR	07945894978	•	•

FLQ SERIES MIDGET (10x38mm) FUSES

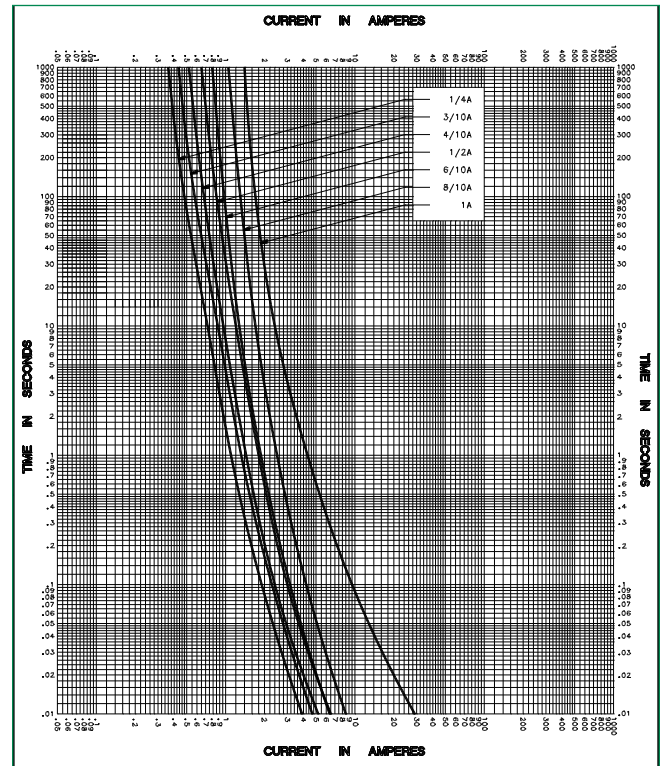
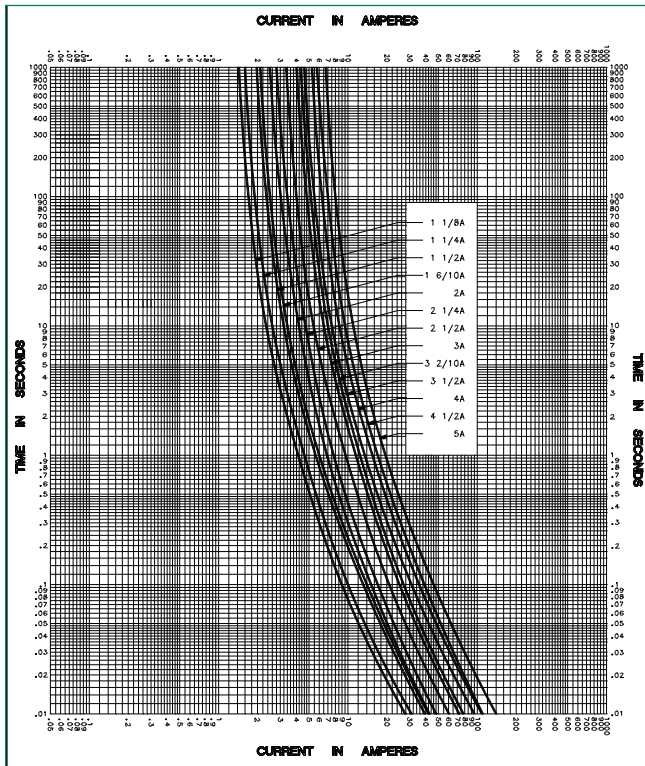
Temperature Derating Curve (Temperature of Air Immediately Surrounding Fuse)



Time Current Curves



Time Current Curves



FLQ SERIES MIDGET (10x38mm) FUSES

Time Current Curves

