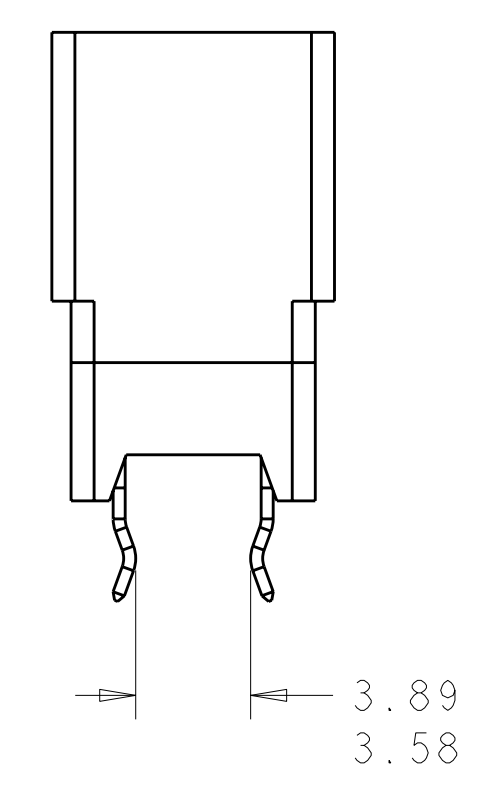
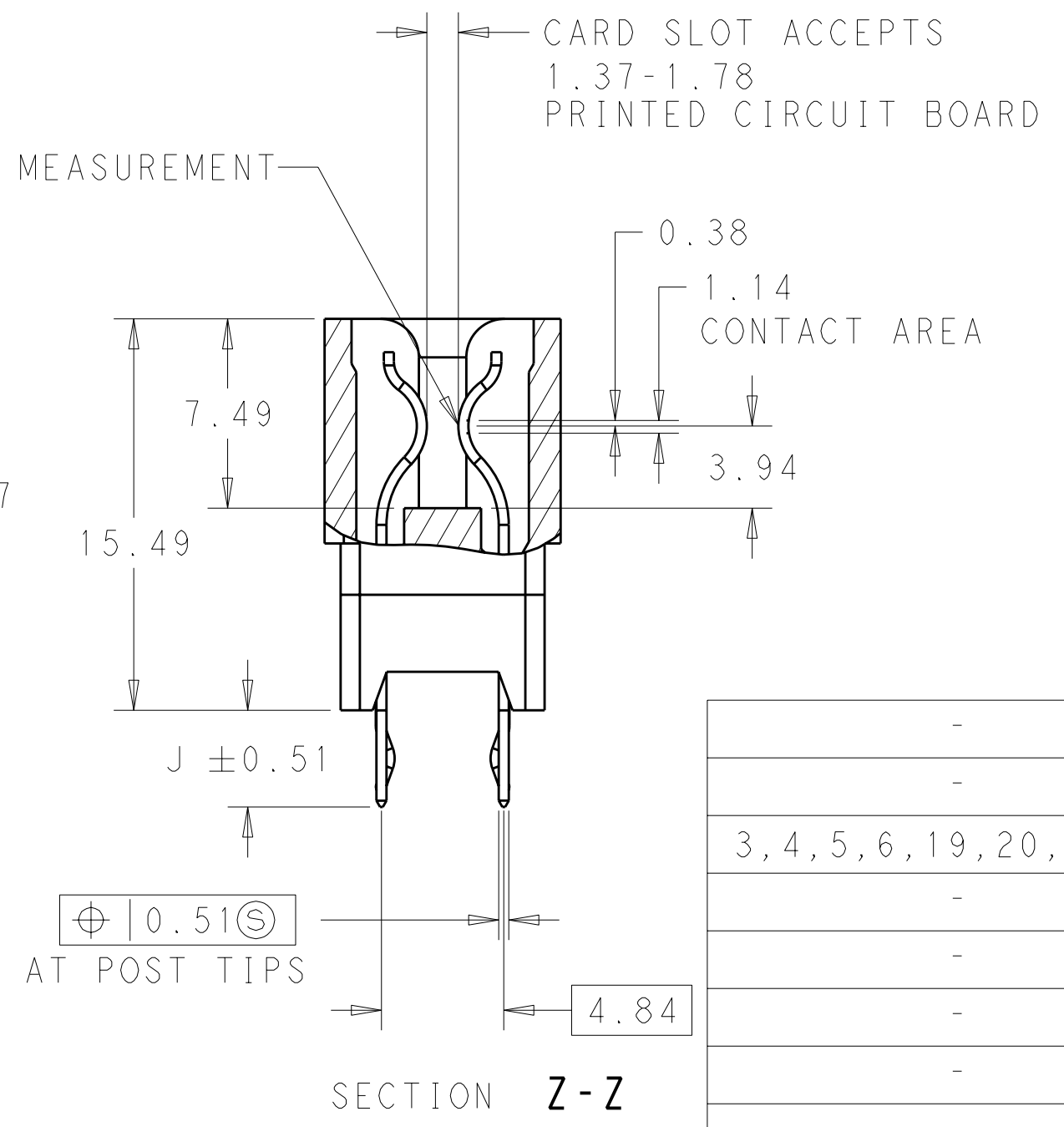
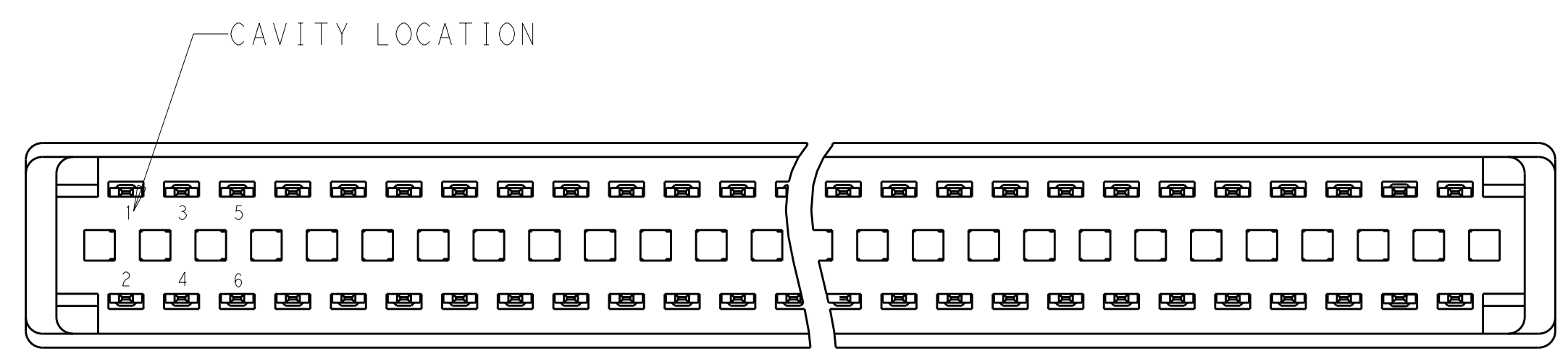
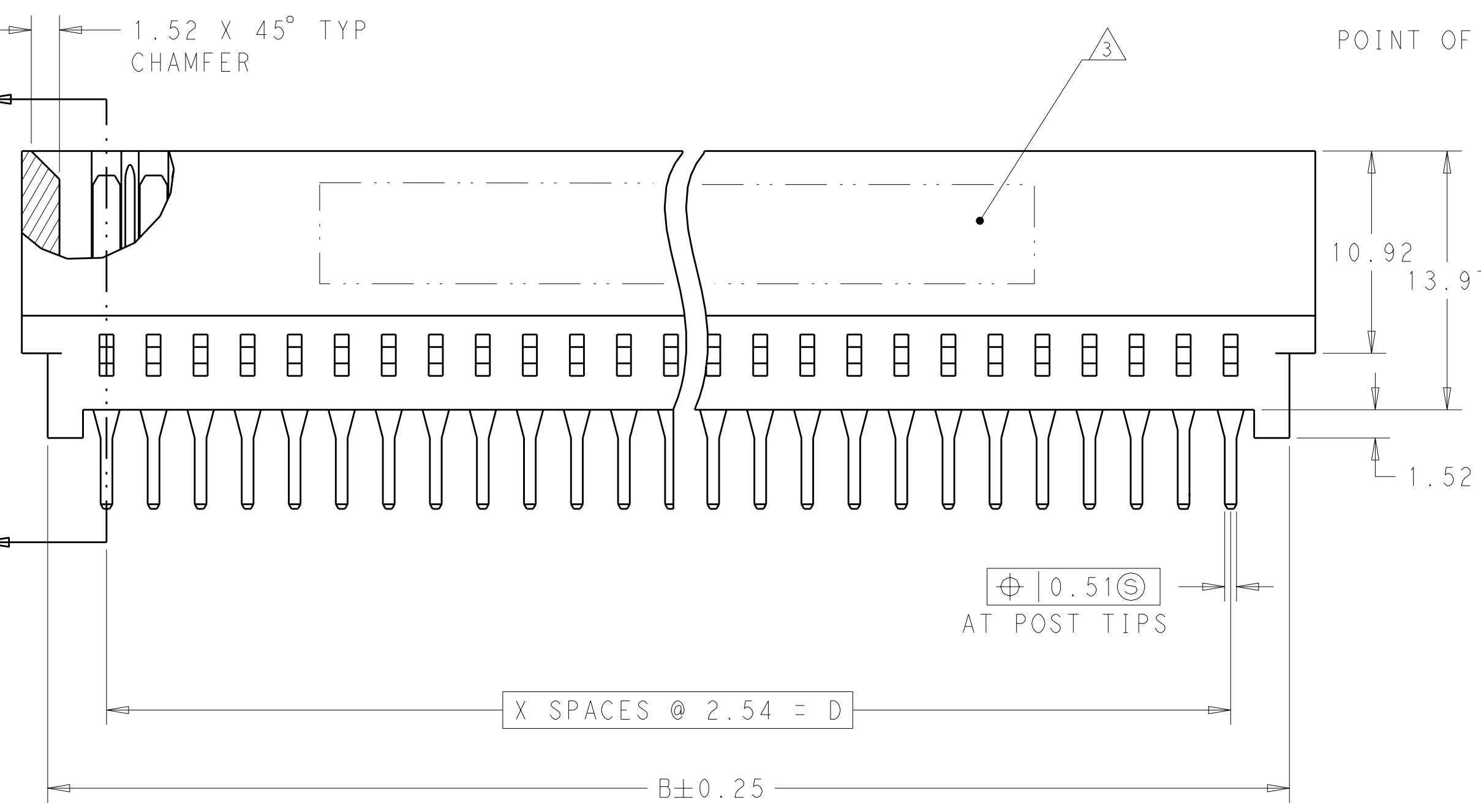
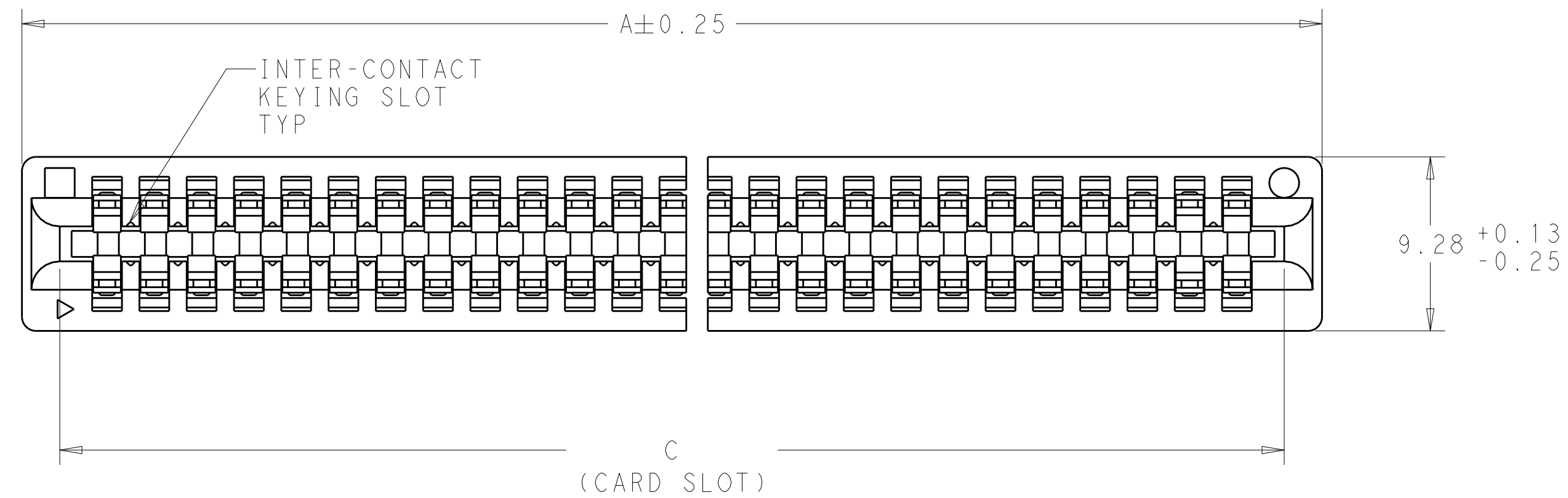


LOC	DIST	REV	DATE	BY	APPD
GP	00	1	11MAR2011	RK	HMR



BOARD RETENTION FEATURE  
8-530843-3 ONLY

- MATERIAL:  
HOUSING: GLASS FILLED POLYESTER; COLOR: BLACK  
CONTACT: PHOS BRONZE
- FINISH:  
(SEE TABLE FOR GOLD PLATING) IN CONTACT AREA.  
0.00254 MIN TIN-LEAD ON SOLDER POSTS, ALL  
OVER 0.00127 MIN NICKEL
- AMP LOGO, TE CONNECTIVITY PART NUMBER, DATE CODE AND CSA LOGO INK STAMPED WHITE (HOT STAMPED OR LAZER PRINTED) IN THE APPROXIMATE AREA SHOWN, EITHER SIDE PERMISSABLE, WHEN HOUSING SIZE PERMITS
- RECOMMENDED PCB FINISHED HOLE DIAMETER = 1.02±0.08
- 0.00038 MIN
- 0.00076 MIN
- PRELIMINARY - NOT FOR PRODUCTION

OBSOLETE	8-530843-1
OBSOLETE	4-530843-1
OBSOLETE	1-530843-9
	PART NUMBER

BOARD RETENTION FEATURE LOCATION (SEE DETAIL Y)	FINSIH	Z	J	D	C	B	A	X	NO. OF DUAL POSITIONS	PART NUMBER
-	6	19.96	3.18	15.24	20.32	21.59	24.38	6	7	8-530843-5
-	6	22.50	3.18	17.78	22.86	24.13	26.92	7	8	8-530843-4
3, 4, 5, 6, 19, 20, 21, 22	6	32.66	3.18	27.94	33.02	34.29	37.08	11	12	8-530843-3
-	6	9.80	4.75	5.08	10.16	11.43	14.22	2	3	8-530843-2
-	6	9.80	3.18	5.08	10.16	11.43	14.22	2	3	7-530843-7
-	6	17.42	4.75	12.70	17.78	19.05	21.84	5	6	7-530843-6
-	6	17.42	3.18	12.70	17.78	19.05	21.84	5	6	7-530843-5
-	5	80.92	3.18	76.20	81.28	82.55	85.34	30	31	7-530843-0
-	6	80.92	3.18	76.20	81.28	82.55	85.34	30	31	6-530843-5
-	6	154.58	3.18	149.86	154.94	156.21	159.00	59	60	5-530843-5
-	6	52.98	3.18	48.26	53.34	54.61	57.40	19	20	5-530843-4
-	6	45.36	3.18	40.64	45.72	46.99	49.78	16	17	5-530843-3
-	6	27.58	3.18	22.86	27.94	29.21	32.00	9	10	5-530843-0
-	6	47.90	3.18	43.18	48.26	49.53	52.32	17	18	2-530843-7
-	6	91.08	3.18	86.36	91.44	92.71	95.50	34	35	2-530843-3
-	6	129.18	4.75	124.46	129.54	130.81	133.60	49	50	2-530843-2
-	6	103.78	4.75	99.06	104.14	105.41	108.20	39	40	2-530843-0
-	6	78.38	4.75	73.66	78.74	80.01	82.80	29	30	1-530843-8
-	6	32.66	4.75	27.94	33.02	34.29	37.08	11	12	1-530843-2
-	6	111.40	3.18	106.68	111.76	113.03	115.82	42	43	1-530843-0
-	6	93.62	3.18	88.90	93.98	95.25	98.04	35	36	530843-8
-	6	78.38	3.18	73.66	78.74	80.01	82.80	29	30	530843-7
-	6	73.30	3.18	68.58	73.66	74.93	77.72	27	28	530843-6
-	6	68.22	3.18	63.50	66.04	67.31	70.10	24	25	530843-5
-	6	58.06	3.18	53.34	58.42	59.69	62.48	21	22	530843-4
-	6	47.90	3.18	43.18	48.26	49.53	52.32	17	18	530843-3
-	6	40.28	3.18	35.56	40.64	41.91	44.70	14	15	530843-2
-	6	32.66	3.18	27.94	33.02	34.29	37.08	11	12	530843-1

THIS DRAWING IS A CONTROLLED DOCUMENT.

DATE: 11SEP2009  
 DWG: MAYER/GBZYBOWSKI  
 CHK: HOWARD  
 APPD: PERCHERKE  
 NAME: 11SEP2009

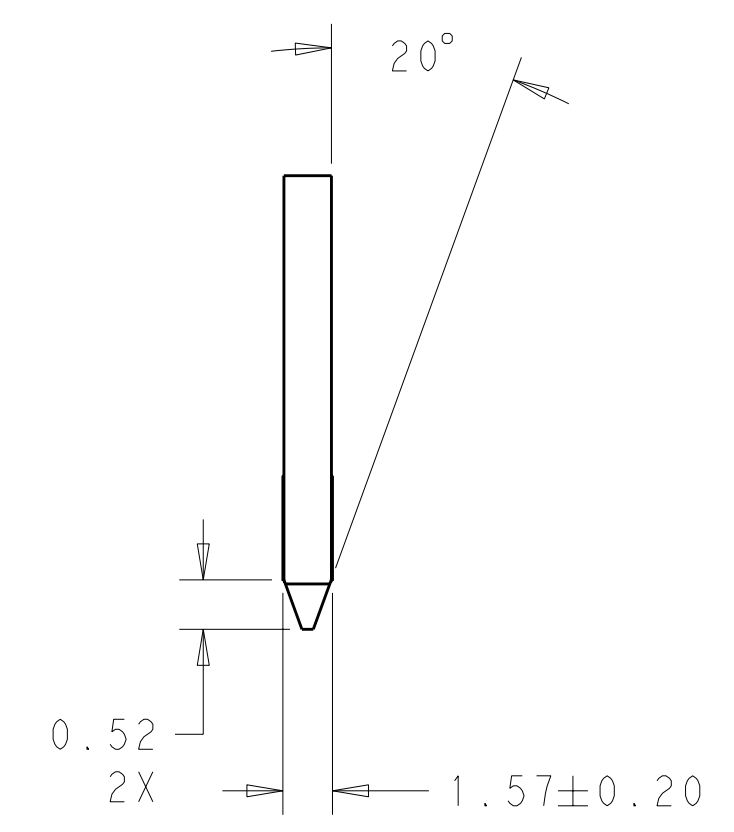
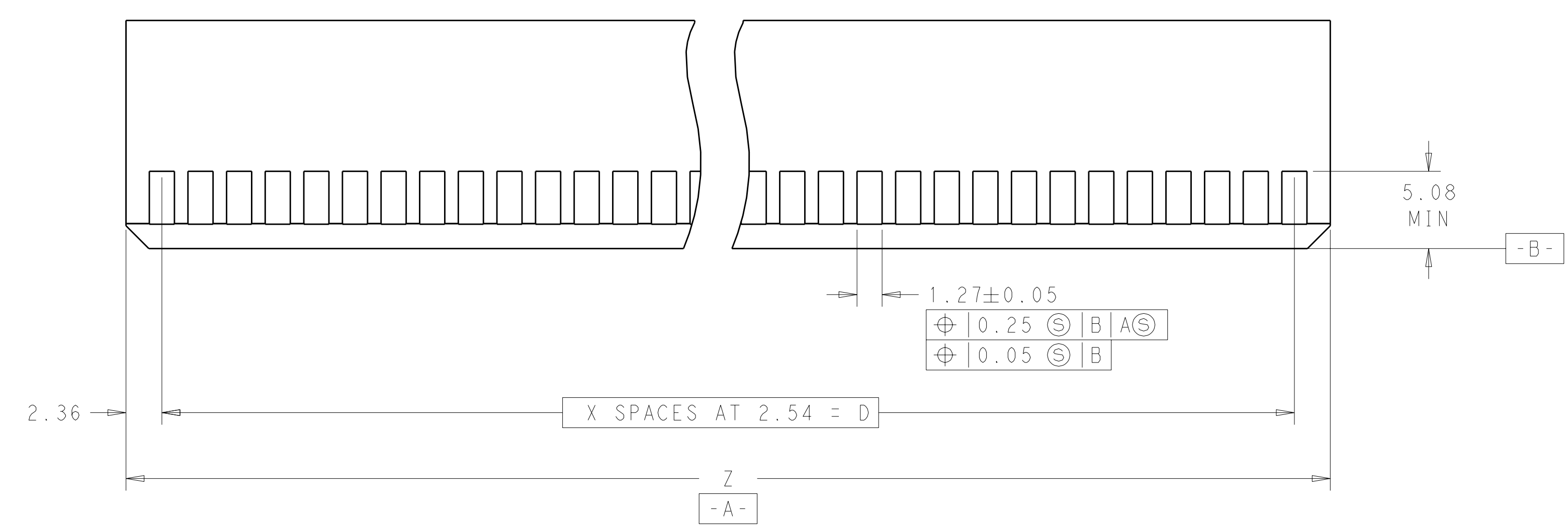
TE Connectivity

CONNECTOR ASSEMBLY  
STANDARD EDGE, II  
2.54 CENTERLINE

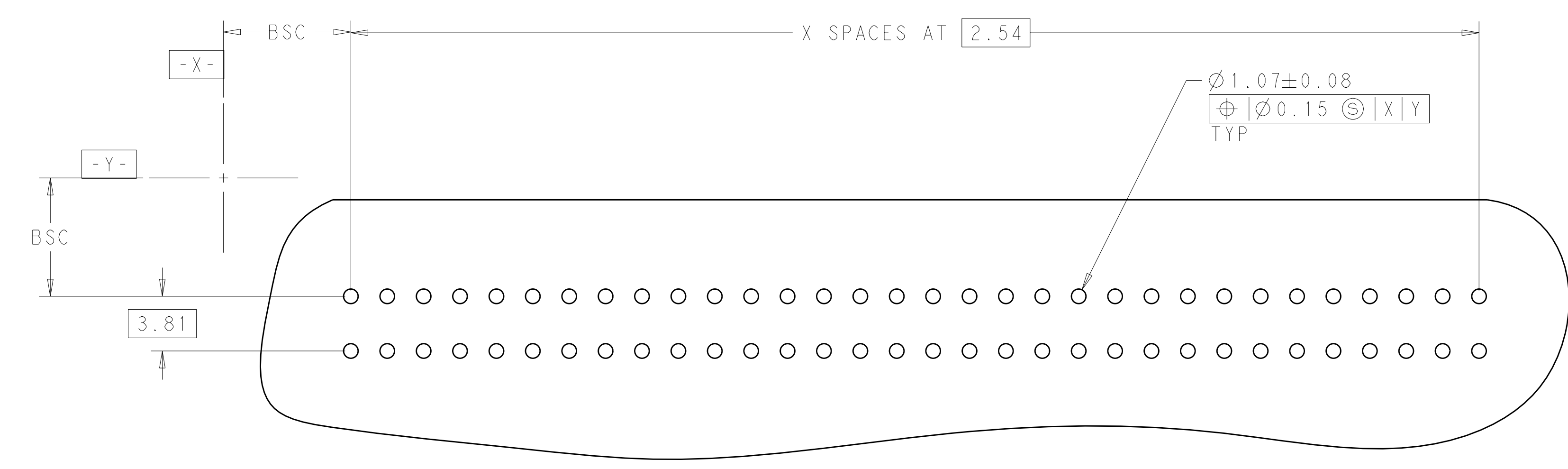
SIZE: A100779  
 CAGE CODE: 114-13018  
 DRAWING NO: 114-13018  
 WEIGHT: -  
 CUSTOMER DRAWING

SCALE: 4:1  
 SHEET: 1 OF 2  
 REV: AT5

LOC	DIST	REVISIONS			
GP	00	REV	DATE	BY	APPD
		-	-	-	-
		SEE SHEET 1			



RECOMMENDED MAIN BOARD EDGE CONFIGURATION



RECOMMENDED PC BOARD HOLE LAYOUT

THIS DRAWING IS A CONTROLLED DOCUMENT.		DWN: MAYER/GBZYBOWSKI 11SEP2009		CHK: HOWARD 11SEP2009		APVD: PERCHERKE 11SEP2009		NAME: NAME		RESTRICTED TO: RESTRICTED TO	
DIMENSIONS: MM		TOLERANCES UNLESS OTHERWISE SPECIFIED:		PRODUCT SPEC: 108-9039		APPLICATION SPEC: 114-13018		SIZE: A100779		DRAWING NO: C=530843	
MATERIAL: SEE NOTE 1		FINISH: #2		WEIGHT: -		CUSTOMER DRAWING		SCALE: 4:1		SHEET: 2 OF 2	
		SEE NOTE 2								REV: AT5	