

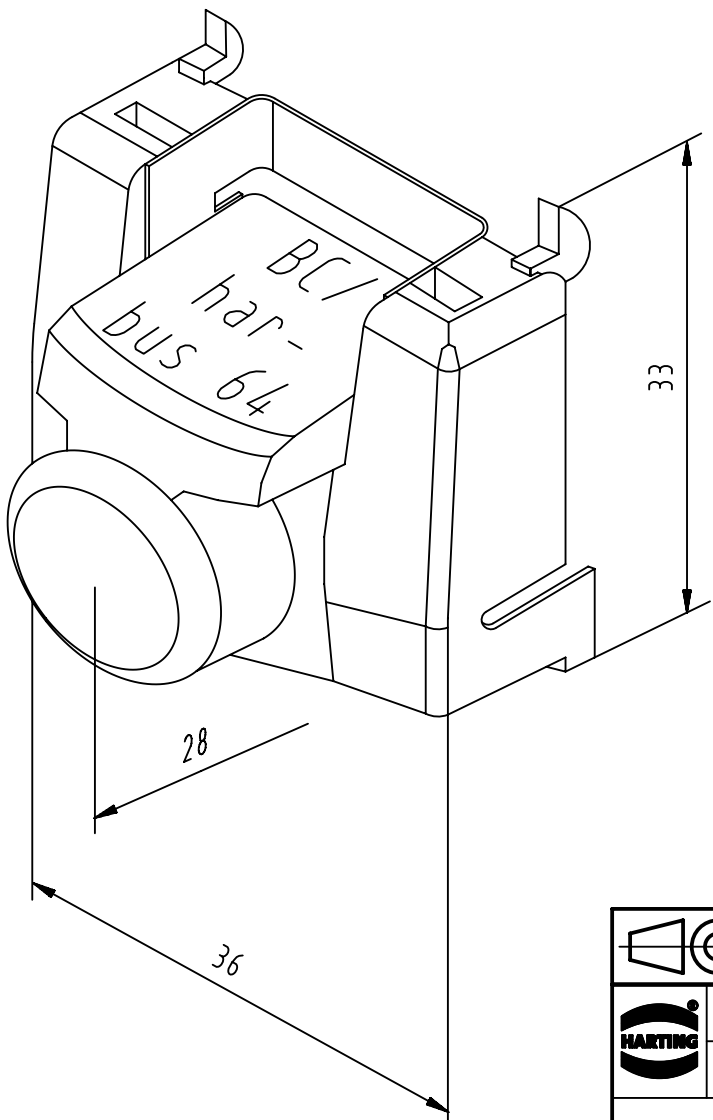
1 2 3 4 5 6

A

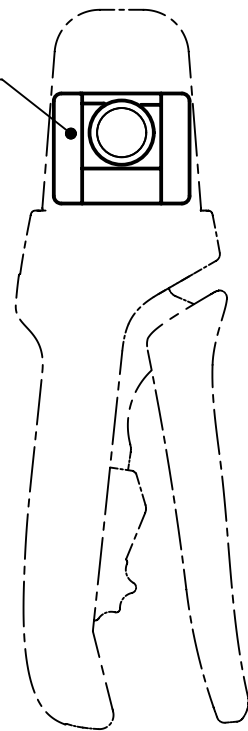
B


C

D



Positionierer für
Crimp-Zange 09 99 000 0075
Locator for
crimp-tool 09 99 000 0075



	All rights reserved Department EC PD - DE	All Dimensions in mm Original Size DIN A4		Scale 1:2	Free size tol.	Ref. Sub.	
		Created by WAERMKER	Inspected by HAERTLING	Standardisation KOHLER	Date 2012-10-08	State Final Release	
HARTING Electronics GmbH D-32339 Espelkamp		Title LOCATOR BC / HAR-BUS64				Doc-Key / ECM-Nr. 100230967/UGD/001/A	
		Type TB	Number 09990000640			Rev. A	Page 1/1