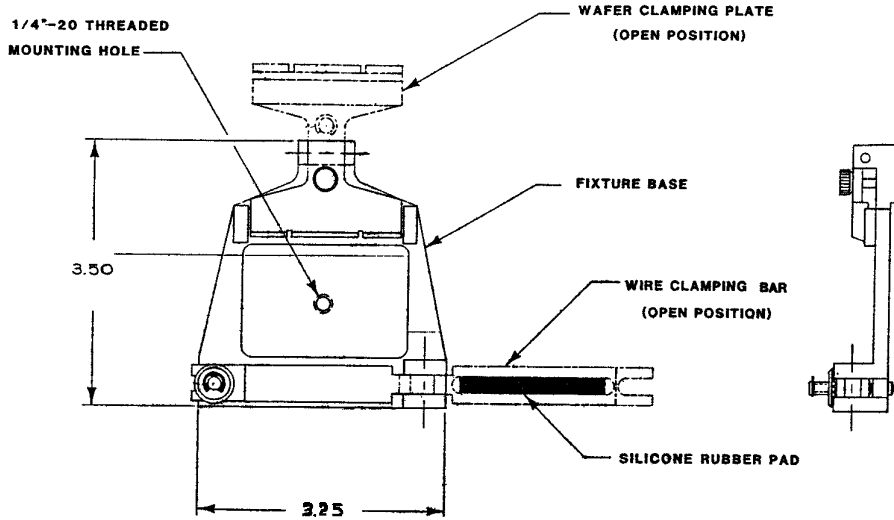


If this document is printed it becomes uncontrolled.
Check for the latest revision.

REVISIONS				
ZONE	LTR	DESCRIPTION	DATE	APPROVED
	A	ADDED MOUNTING HOLE	2-19-80	ES



- 2. REFER TO ES 61103 FOR FURTHER OPERATING INSTRUCTIONS
- 1. THIS FIXTURE FOR USE WITH MTC 100 ELECTRICAL CONNECTOR WAFERS MANUFACTURED BY RAYCHEM CORPORATION.

NOTES:

CONNECTOR SPECIFICATION CONTROL DRAWING

UNLESS OTHERWISE SPECIFIED DIMENSIONS ARE IN INCHES BRACKETED DIMENSIONS () ARE METRIC AND TOLERANCES ARE: ...XX: ± XX: ±.05 () A: ±	DRAWN	RS	1/15/80	Raychem <small>RAYCHEM CORPORATION 300 CONSTITUTION DRIVE MIRALDO PARK, CALIFORNIA 91765</small>
	CHECKED	ES	1/2/80	
	APPROVED	ES	1/6/80	
	APPROVED			
TITLE				MAINTENANCE REPAIR FIXTURE MTC WAFERS
SIZE		CODE IDENT	DWG. NO.	
C		NO 00000	CE-1200300	
DO NOT SCALE THIS DRAWING			WEIGHT	SHEET 1 OF 1