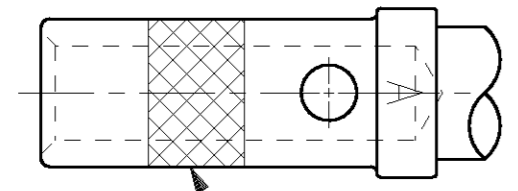
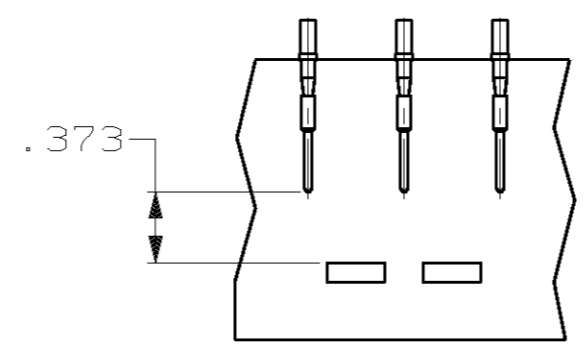


THIS DRAWING IS UNPUBLISHED. RELEASED FOR PUBLICATION .19
 (C) COPYRIGHT 19 BY AMP INCORPORATED. ALL RIGHTS RESERVED.

LOC		DIST		REVISIONS			
P	LTR	DESCRIPTION	DATE	DWN	APVD		
DF	AO	J	7-99	CT	BG	REV & REDRAWN; 0600-8098-98	

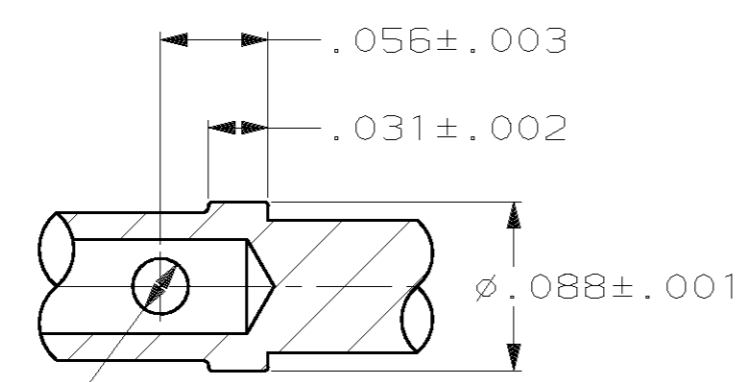
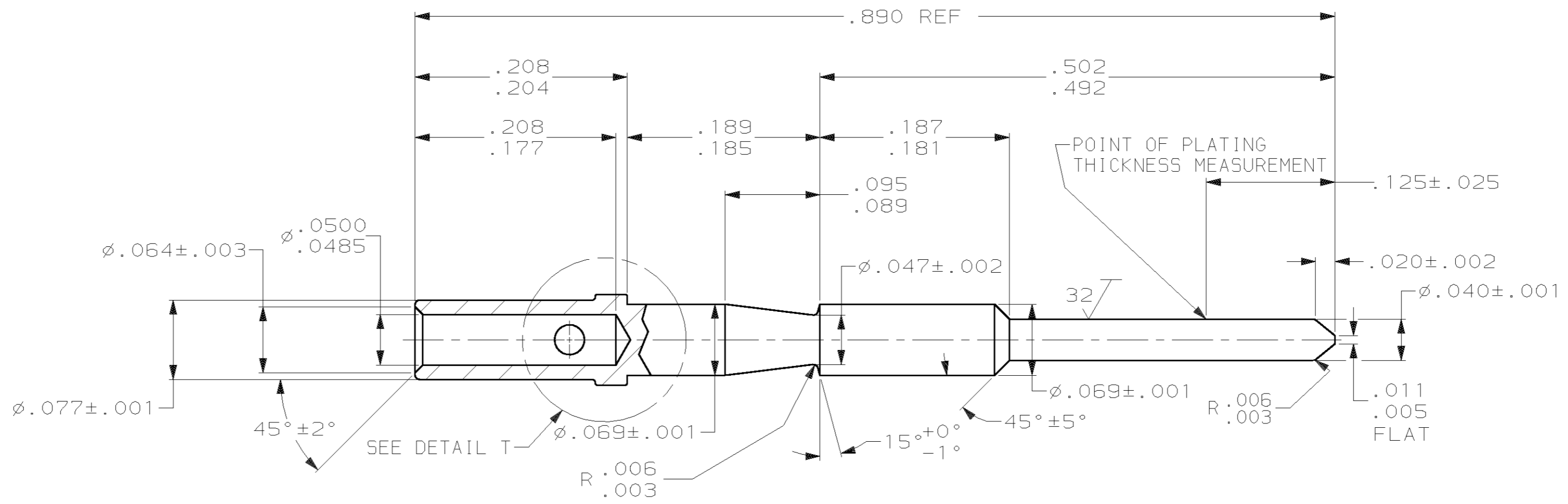


COLOR CODE GREEN



.373

TAPE MOUNTED ASS'Y
 SCALE 1:1
 203840-3 ONLY



DETAIL T

OBSELETE	TAPE MOUNTED	203840-3
	AS SHOWN	203840-2
	REMARKS	PART NUMBER

THIS DRAWING IS A CONTROLLED DOCUMENT.		DWN C.C. THOMAS 7-26-99	AMP Incorporated Harrisburg, PA 17105-3608	
DIMENSIONS: INCHES		CHK B. GROSS 7-27-99	AMP CONTACT, PIN, SIZE 20, ARINC 404	
TOLERANCES UNLESS OTHERWISE SPECIFIED:		APVD B. GROSS 7-27-99		
0 PLC \pm		WIRE RANGE 20-24	NAME	
1 PLC \pm		APPLICATION SPEC -	SIZE	
2 PLC \pm		WEIGHT -	CAGE CODE	
3 PLC $\pm .005$		CUSTOMER DRAWING	DRAWING NO	
4 PLC \pm		SCALE 10:1	RESTRICTED TO	
ANGLES \pm		SHEET 1 OF 1	REV J	
MATERIAL COPPER PER ASTM-B-301	FINISH .000050 MIN GOLD PER MIL-6-45204 OVER COPPER	A2 00779 C-203840		