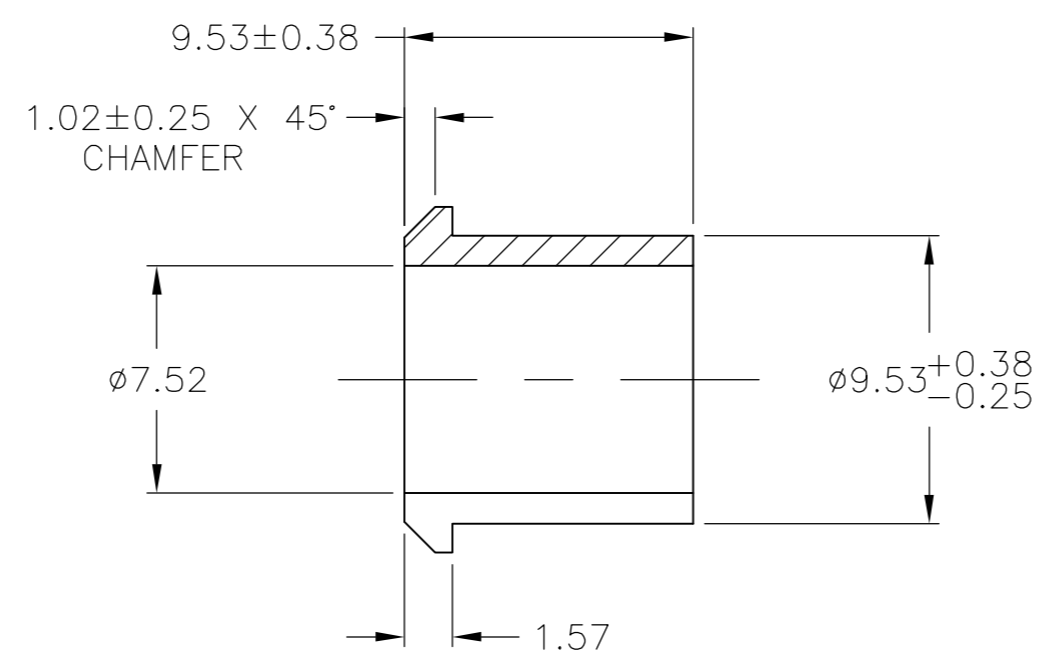
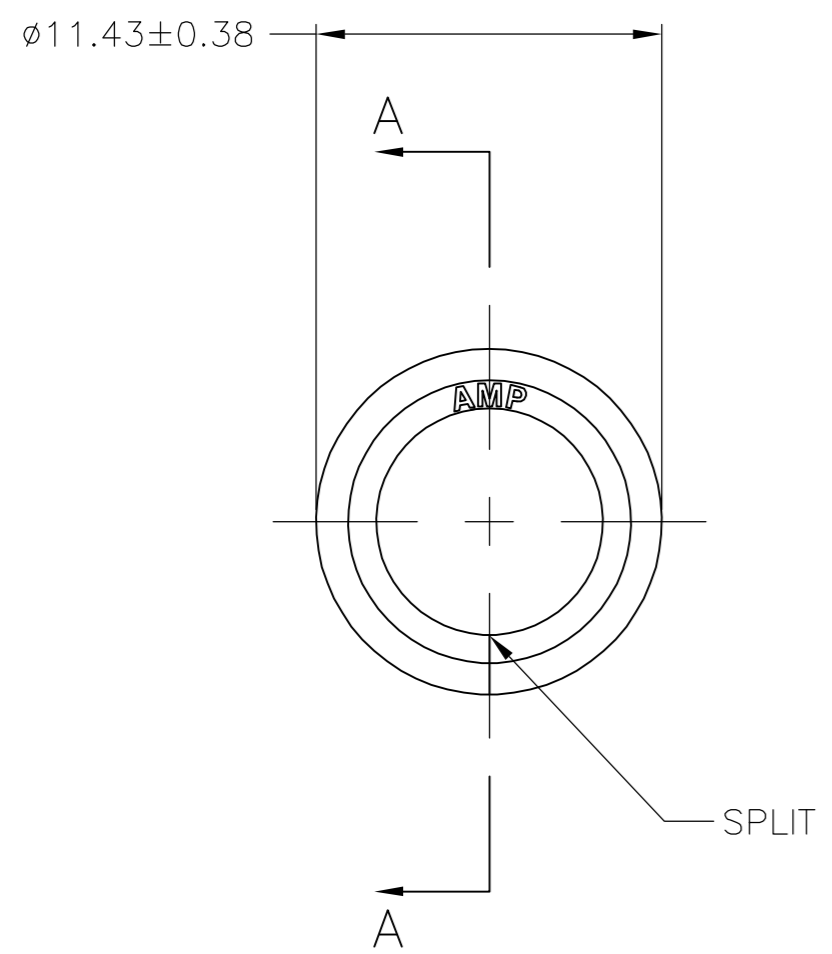
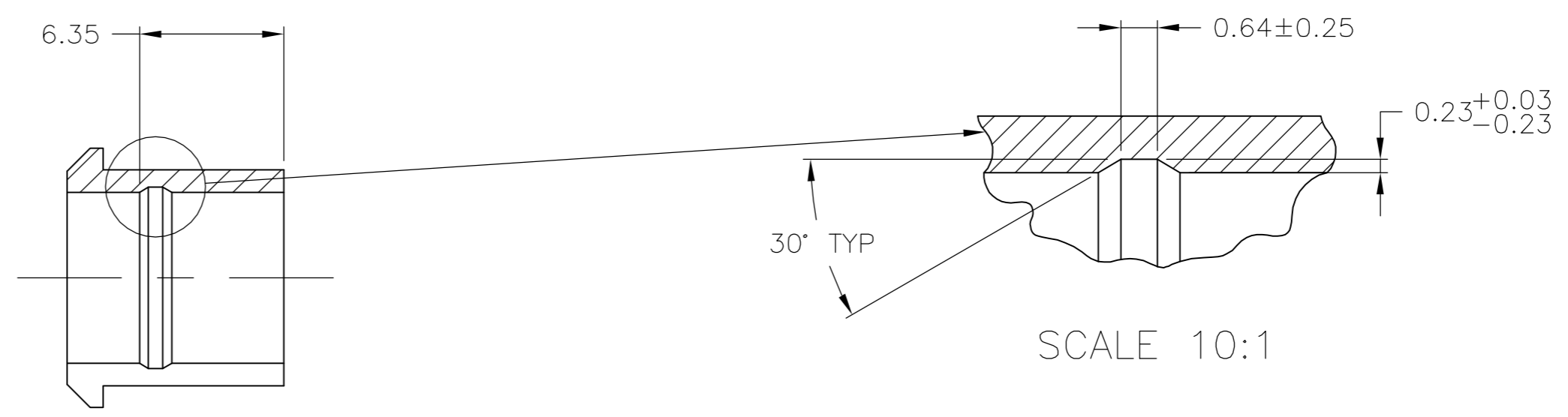
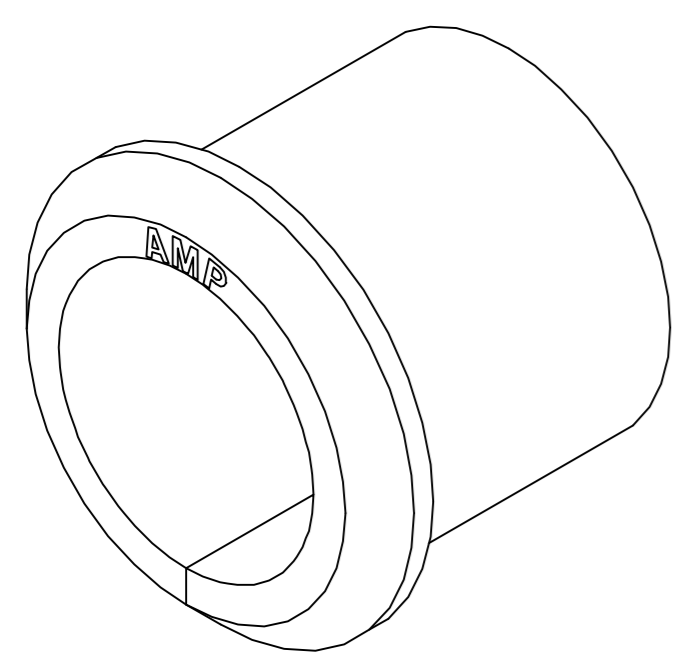


THIS DRAWING IS UNPUBLISHED. RELEASED FOR PUBLICATION
 © COPYRIGHT BY TYCO ELECTRONICS CORPORATION. ALL RIGHTS RESERVED.

LOC		DIST		REVISIONS			
P	LTR	DESCRIPTION	DATE	DWN	APVD		
		F	ECO-06-012706	07JUN06	BSV	JR	



1. USE WITH STRAIN RELIEF 350373.
2. MOLDING COMPOUND PVC,FLEXIBLE, 55/75 DUROMETER (B SCALE),BLACK.
3. MOLDING COMPOUND PVC,FLEXIBLE,BLACK.



3-DIMENSIONAL MODEL NTS

SECTION A-A
OPTIONAL CONSTRUCTION

SUPERCEDED BY 2-350375-0	3	2-350375-0
	2	1-350375-0
	MATERIAL	PART NUMBER

MM	IN	MM	IN	MM	IN
0.25	.010	1.57	.062	11.43	.450
0.23	.009	1.02	.040	9.53	.375
0.13	.005	0.64	.025	7.52	.296
0.03	.001	0.38	.015	6.35	.250

CONVERSION TABLE

METRIC

THIS DRAWING IS A CONTROLLED DOCUMENT.		DWN K. WHITAKER 23MAR06	Tyco Electronics Corporation Harrisburg, Pa 17105-3608	
DIMENSIONS: mm		CHK C. JONES 23MAR06		
TOLERANCES UNLESS OTHERWISE SPECIFIED:		APVD C. JONES 23MAR06	NAME GROMMET,SPLIT,M.R.	
0 PLC ± - 1 PLC ± - 2 PLC ± - 3 PLC ± 0.13 4 PLC ± - ± 1° ANGLES ± 1° FINISH -		PRODUCT SPEC APPLICATION SPEC	SIZE A2	
MATERIAL SEE TABLE		WEIGHT -	CAGE CODE 00779	DRAWING NO C=350375
		CUSTOMER DRAWING	SCALE 4:1	SHEET 1 OF 1
			RESTRICTED TO -	REV F

350375