

Si5316, Si5319, Si5322/23, Si5324, Si5325/26, AND Si5327 EVB USER'S GUIDE

1. Introduction

The Si5316-EVB, Si5319-EVB, Si5322/23-EVB, Si5324-EVB, Si5325/26-EVB, and Si5327-EVB provide platforms for evaluating Silicon Laboratories' Si5316, Si5319, Si5322/Si5323, Si5324, Si5325/Si5326, and Si5327 Any-Frequency Precision Clock Timing ICs. The Si5316, Si5322, and Si5323 are controlled directly using configuration pins on the devices, while the Si5319, Si5324, Si5325, Si5326, and Si5327 are controlled by a microprocessor or MCU (micro-controller unit) via an I²C or SPI interface. The Si5316 is a jitter attenuator with a loop bandwidth ranging from 60 Hz to 8.4 kHz. The Si5322 and Si5325 are low jitter clock multipliers with a loop bandwidth ranging from 30 kHz to 1.3 MHz. The Si5319, Si5323, and Si5326 are jitter-attenuating clock multipliers, with a loop bandwidth ranging from 60 Hz to 8.4 kHz. The Si5324 and Si5327 have features and capabilities very similar to the Si5326, but they have much lower loop bandwidths that range from 4 to 525 Hz. The Si5326 device can optionally be configured to operate as a Si5325, so a single evaluation board is available to evaluate both devices. Likewise, the Si5323 can be configured to operate as a Si5322, so the two devices share a single evaluation board.

The Si531x/2x Any-Frequency Precision Clocks are based on Silicon Laboratories' third-generation DSPLL[®] technology, which provides any-frequency synthesis in a highly integrated PLL solution that eliminates the need for external VCXO and loop filter components. The devices have excellent phase noise and jitter performance. The Si5316 is a jitter attenuator that supports jitter generation of 0.3 ps RMS (typ) across the 12 kHz–20 MHz and 50 kHz–80 MHz jitter filter bandwidths. The Si5319, Si5323, and Si5326 jitter attenuating clock multipliers support jitter generation of 0.3 ps RMS (typ) across the 12 kHz–20 MHz and 50 kHz–80 MHz jitter filter bandwidths. The Si5324 and Si5327 are jitter attenuating clock multipliers supporting jitter attenuation of 0.3 ps RMS (typ) and 0.5 ps RMS (typ) across the 12 kHz to 20 MHz and 50 kHz to 80 MHz bands. The Si5322 and Si5325 support jitter generation of 0.6 ps RMS (typ) across the 12 kHz–20 MHz and 50 kHz–80 MHz jitter filter bandwidths. For all devices, the DSPLL loop bandwidth is digitally programmable, providing jitter performance optimization at the application level. These devices are ideal for providing clock multiplication/clock division, jitter attenuation, and clock distribution in mid-range and high-performance timing applications.

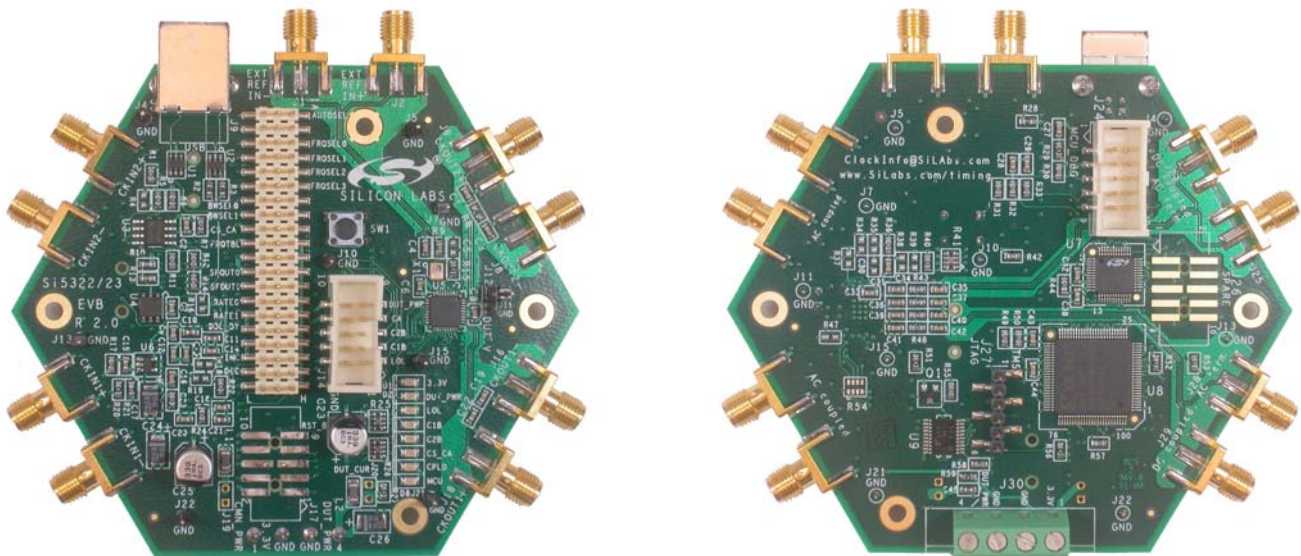


Figure 1. Si532x QFN EVB

Si531x-EVB Si532x-EVB

Table 1. Features by Part Number

| Device PN | # Clock Inputs | # Clock Outputs | Control | Input Freq (MHz) | Output Freq (MHz) | Jitter Generation (12 kHz–20 MHz) | Prog. Loop BW | Clock Mult. | Hitless Switching | Alarms | Package |
|--|----------------|-----------------|-------------------------|------------------|-------------------|-----------------------------------|----------------|-------------|-------------------|---------------|--------------|
| Any-Frequency Precision Clock Multipliers | | | | | | | | | | | |
| Si5322 | 2 | 2 | Pin | 15 to 707 | 19 to 1050 | 0.6 ps rms typ | 30 kHz–1.3 MHz | Y | N | LOS | 6 x 6 36-QFN |
| Si5325 | 2 | 2 | I ² C or SPI | 10 to 710 | 10 to 1400 | 0.6 ps rms typ | 30 kHz–1.3 MHz | Y | N | LOS, FOS | 6 x 6 36-QFN |
| Any-Frequency Precision Clock Multipliers with Jitter Attenuation | | | | | | | | | | | |
| Si5316 | 2 | 1 | Pin | 19 to 710 | 19 to 710 | 0.3 ps rms typ | 60 Hz–8.4 kHz | N | N | LOL, LOS | 6 x 6 36-QFN |
| Si5319 | 1 | 1 | I ² C or SPI | .002 to 710 | .002 to 1400 | 0.3 ps rms typ | 60 Hz–8.4 kHz | Y | N | LOL, LOS | 6 x 6 36-QFN |
| Si5323 | 2 | 2 | Pin | .008 to 707 | .008 to 1050 | 0.3 ps rms typ | 60 Hz–8.4 kHz | Y | Y | LOL, LOS | 6 x 6 36-QFN |
| Si5324 | 2 | 2 | I ² C or SPI | .002 to 710 | .002 to 1400 | 0.3 ps rms typ | 4–525 Hz | Y | Y | LOL, LOS, FOS | 6 x 6 36-QFN |
| Si5326 | 2 | 2 | I ² C or SPI | .002 to 710 | .002 to 1400 | 0.3 ps rms typ | 60 Hz–8.4 kHz | Y | Y | LOL, LOS, FOS | 6 x 6 36-QFN |
| Si5327 | 2 | 2 | I ² C or SPI | .002 to 710 | .002 to 808 | 0.5 ps rms typ | 4–525 Hz | Y | Y | LOL, LOS | 6 x 6 36-QFN |

2. Applications

The Si531x/2x Any-Frequency Precision Clocks have a comprehensive feature set, including any-frequency synthesis, multiple clock inputs, multiple clock outputs, alarm and status outputs, hitless switching between input clocks, programmable output clock signal format (LVPECL, LVDS, CML, CMOS), output phase adjustment between output clocks, and output phase adjustment between all output clocks and the selected reference input clock (phase increment/decrement). For more details, consult the Silicon Laboratories timing products website at www.silabs.com/timing.

All six evaluation boards (EVBs) have an MCU (C8051F340) that support USB communications with a PC host. For the pin controlled parts (Si5316, Si5322, and Si5323), the pin settings of the devices are determined by the MCU and the PC resident software that is provided with the EVB. For the MCU controlled parts (Si5319, Si5324, Si5325, Si5326, and Si5327), the devices are controlled and monitored through the serial port (either SPI or I²C). A CPLD sits between the MCU and the Any-Frequency Precision Clock device that performs voltage level translation and stores the pin configuration data for the pin controlled devices. Jumper plugs are provided so that the user can bypass the MCU/CPLD to manually control the pin controlled devices. Ribbon headers and SMA connectors are included so that external clock in, clock out, and status pins can be easily accessed by the user. For the MCU controlled devices (Si5319, Si5324, Si5325, Si5326, and Si5327), the user also has the option of bypassing the MCU and controlling the parts from an external serial device. On-board termination is included so that the user can evaluate single-ended or differential as well as ac or dc coupled clock inputs and outputs. A separate DUT (Device Under Test) power supply connector is included so that the Any-Frequency Precision Clocks can be run at either 1.8, 2.5 or 3.3 V, while the USB MCU remains at 3.3 V. LEDs are provided for convenient monitoring of key status signals.

3. Features

The Si5316-EVB, Si5319-EVB, Si5322/23-EVB, Si5324-EVB, Si5325/26-EVB, and Si5327-EVB each include the following:

- CD with documentation and EVB software including the DSPLL*sim* configuration software utility
- USB cable
- EVB circuit board including an Si5316 (Si5316-EVB), Si5319 (Si5319-EVB), Si5323 (Si5322/23-EVB), Si5324 (Si5324-EVB), Si5326 (Si5325/26-EVB), or Si5327 (Si5327-EVB).
- User's Guide (this document)

4. Si5316-EVB, Si5319-EVB, Si5322/23-EVB, Si5324-EVB, Si5325/26-EVB, and Si5327-EVB Quick Start

1. A CD-ROM is included with the evaluation board. On this CD, there is a file named "install_instructions.PDF". This file gives the detailed instructions on how to install the drivers and software that control the evaluation board.
2. Connect the two power supplies to the EVB. One is 3.3 V and the other is 1.8, 2.5, or 3.3 V. The DUT is powered by the 1.8/2.5/3.3 V supply.
3. Turn on the power supplies.
4. Connect a USB cable from the EVB to the PC where the software was installed.
5. Install USB driver.
6. Launch software by clicking on **Start**→**Programs**→**Silicon Laboratories**→**Precision Clock EVB Software** and selecting one of the programs.

5. Functional Description

The Si531x/2x-EVB software allows for a complete and simple evaluation of the functions, features, and performance of the Si531x/2x Any-Frequency Precision Clocks.

5.1. Narrowband versus Wideband Operation

This document describes six evaluation boards: Si5316, Si5319, Si5322/23, Si5324, Si5325/26, and Si5327. The Si5316 and Si5322/23 evaluation boards are for pin controlled clock parts and the Si5319, Si5324, Si5325/26, and Si5327 are for clock parts that are to be controlled by an MCU over a serial port. The Si5316-EVB, Si5319-EVB, Si5324-EVB, and Si5327-EVB support only one part, while the two other boards each support two parts: one that is wideband (the Si5322 and the Si5325) and one that is narrowband (the Si5323 and the Si5326). The narrowband parts are both capable of operating in the wideband mode, so evaluation of the wideband parts can be done by using a narrowband part in wideband mode. As such, these evaluation boards are only populated with narrowband parts.

The Si5324-EVB and Si5327-EVB are special cases because the Si5324 and Si5327 have a lower loop bandwidth and do not support wideband operation. Because of the lower loop bandwidth, the lock times are increased and the Si5324 and Si5327 will be more sensitive to XA-XB reference crystal temperature changes. For this reason, a 20 ppm crystal is used on the Si5324-EVB. It should be noted that the 20 ppm crystal is used for its temperature stability, not its absolute accuracy. If the crystal will undergo significant changes in temperature, it is suggested that the crystal be thermally insulated by covering it with foam tape or some other means.

To evaluate Si5322 device operation using the Si5322/23-EVB, the RATE[1:0] pins must be set to LL using the jumpers provided. To evaluate Si5325 device operation using the Si5325/26-EVB, the Precision Clock EVB Software should be configured for wideband mode. For details, see the Precision Clock EVB Software documentation.

Si531x-EVB Si532x-EVB

5.2. Block Diagram

Figure 2 is a block diagram of the evaluation board. The MCU communicates to the host PC over a USB connection. The MCU controls and monitors the Si532x through the CPLD. The CPLD, among other tasks, translates the signals at the MCU voltage level of 3.3 V to the Si532x's voltage level, which is nominally 3.3, 2.5, or 1.8 V. The user has access to all of the Si532x's pins using the various jumper settings as well as through the host PC via the MCU and CPLD.

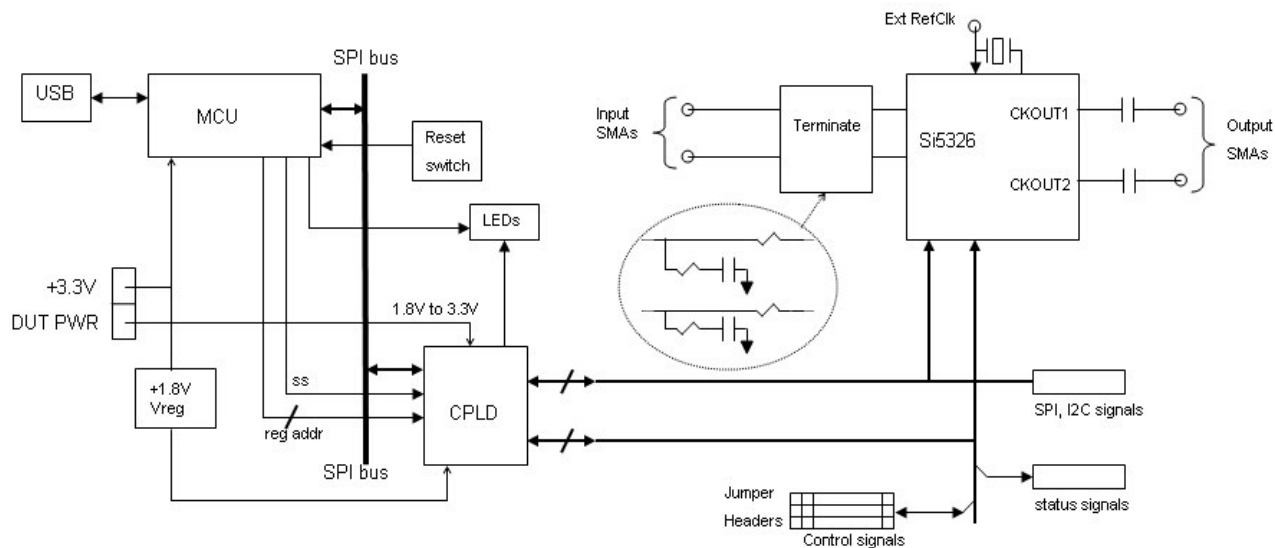


Figure 2. Si532x QFN Block Diagram

5.3. Si532x Input and Output Clocks

The Si532x has two differential inputs that are ac terminated to 50 Ω and then ac coupled to the part. Single-ended operation can be implemented by simply not connecting to one of the two of the differential pairs bypassing the unused input to ground with a capacitor. When operating with clock inputs of 1 MHz or less in frequency, the appropriate dc blocking capacitors (C39, C41, C34, and C36) located on the bottom of the board should be replaced with 0 Ω resistors. The reason for this is that the capacitive reactance of the ac coupling capacitors becomes significant at low frequencies. It is also important that the CKIN signal meet the minimum rise time of 11 ns (CKNtrf) even though the input frequency is low.

The two clock outputs (one for the Si5316-EVB and Si5319-EVB) are all differential, ac-coupled and configured for driving 50 Ω transmission lines. **When using single ended outputs, it is important that the unused half of the output be terminated.**

Two jumpers are provided to assist in monitoring the Si532x power: When R27 is removed, J20 can be used to measure the device current. J12 can be used at any time to monitor the supply voltage at the device.

The Si5316, Si5319, Si5323, Si5326, and Si5327 require that an external reference be provided to enable the devices to operate as narrowband jitter attenuators with loop bandwidths as low as 60 Hz (4 Hz for the Si5324 and Si5327). The external reference source can be either a crystal, a standalone oscillator or some other clock source. The range of acceptable reference frequencies is described in the Any-Frequency Precision Clocks Family Reference Manual (Si53xxRM.pdf). The EVBs are shipped with a third overtone 114.285 MHz crystal that is used in the majority of applications. J1 and J2 are used when the Si532x is to be configured in narrowband mode with an external reference oscillator (i.e. without using the 114.285 MHz crystal). The Si5327-EVB is shipped with a 40 MHz fundamental mode crystal.

The RATE pins should also be configured for the desired mode, using the jumper plugs at J9 (see Table 6).

For unused inputs and outputs, please refer to the Any-Frequency Precision Clocks Family Reference Manual (Si53xxRM.pdf).

Table 2 shows how the various components should be configured for the three modes of operation.

Table 2. Reference Input Mode

| | Mode | | |
|-------------------------|--------------------|----------------------|-----------|
| | Xtal ¹ | Ext Ref ² | Wide Band |
| Input 1 | NC ³ | J1 | NC |
| Input 2 | NC | J2 | NC |
| C30 | NOPOP ⁴ | install | install |
| C5 | NOPOP | install | NOPOP |
| R34 | NOPOP | NOPOP | install |
| R15 | install | NOPOP | NOPOP |
| RATE0 | M | — | H |
| RATE1 | M | — | H |
| RATE⁵ | L | NC | — |

Notes:

1. Xtal is 114.285 MHz third overtone; 40 MHz fundamental for the Si5327-EVB
2. For external reference frequencies and RATE pin settings, see the Si53xx-RM Any-Frequency Precision Clock Family Reference Manual.
3. NC—No connect.
4. NOPOP—Do not install this component.
5. RATE options for Si5327 only.

For a differential external reference, connect the balanced input signals to J1 and J2. For single-ended operation, connect the input signal to J2 and disconnect J1.

R35 is provided so that a different termination scheme can be used. If R35 is populated, then remove R9 and R36.

5.4. Two and Three Level Inputs

The two-level and three-level inputs can all be manually configured by installing jumper plugs at J9. The two level inputs are either H or L. For the three-level inputs, the M level is achieved by not installing a jumper plug at a given location. J9 can also be used as a connection to an external circuit that controls these pins. J17 is a ten pin ribbon header that is provided so that an external processor can control the Si532x over either the SPI or I²C bus.

J14 is another ten pin ribbon header that brings out all of the status outputs from the Si532x. Note that some pins are shared and serve as both inputs and outputs, depending on how the device is configured. For users that wish to remotely access the input and output pins settings as well as serial ports with external hardware, all three of these headers can be connected to ribbon cables.

5.5. CPLD and Power

This CPLD is required for the MCU to control the Si532x. The CPLD provides two main functions: it translates the voltage level from 3.3 V (the MCU voltage) to the Si532x voltage (either 1.8, 2.5, or 3.3 V). The MCU communicates to the CPLD with the SPI signals SS_CPLD_B (slave select), MISO (master in, slave out), MOSI (master out, slave in), and SCLK. The MCU can talk to CPLD-resident registers that are connected to pins that control the Si532x's pins, mainly for pin control mode. When the MCU wishes to access a Si532x register, the SPI signals are passed through the CPLD, while being level translated, to the Si532x. The CPLD is an EE device that retains its code and is loaded through the JTAG port (J27). The core of the CPLD runs at 1.8 V, which is provided by voltage regulator U6. The CPLD also logically connects many of the LEDs to the appropriate Si532x pins.

Si531x-EVB Si532x-EVB

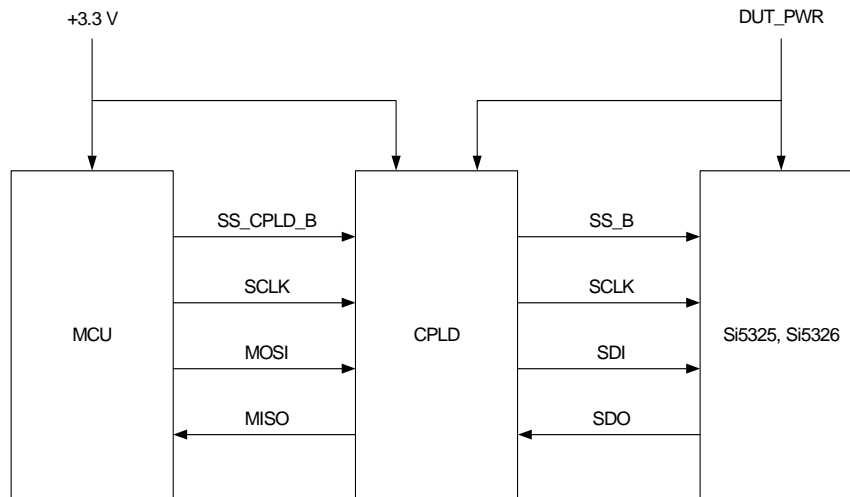


Figure 3. SPI Mode Serial Data Flow

This evaluation board requires two power inputs +3.3 V for the MCU and either 1.8, 2.5, or 3.3 V for the Any-Frequency Precision Clock part. The power connector is J30. The grounds for the two supplies are tied together on the EVB. There are eight LEDs, as described in Table 3.

The Evaluation board has a serial port connector (J17) that supports the following:

- Control by the MCU/CPLD of an Any-Frequency part on an external target board.
- Control of the Any-Frequency part that is on the Eval board through an external SPI or I²C port.

For details, see J17 (Table 5).

Though they are not needed on this Evaluation Board because the CPLD has low output leakage current, some applications will require the use of external pullup and pulldown resistors when three level pins are being driven by external logic drivers. This is particularly true for the pin-controlled parts: the Si5316, Si5322 and Si5323. Consult the Si53xx-RM Any-Frequency Precision Clock Family Reference Manual for details.

5.6. MCU

The MCU is responsible for connecting the evaluation board to the PC so that PC resident software can be used to control and monitor the Si532x. The USB connector is J3 and the debug port, by which the MCU is flashed, is J24. The reset switch, SW1, resets the MCU, but not the CPLD. The MCU is a self-contained USB master and runs all of the code required to control and monitor the Si532x, both in the MCU mode and in the pin-controlled modes.

U4 contains a unique serial number for each board and U3 is an EEPROM that is used to store configuration information for the board. The board powers up in free run mode with a configuration that is outlined in "Appendix—Powerup and Factory Default Settings" on page 23.

For the pin controlled parts (Si5316-EVB and Si5322/23-EVB), the contents of U3 configure the board on powerup so that jumper plugs may be used.

If DSPLLsim is subsequently run, the jumper plugs should be removed before DSPLLsim downloads the configuration to the EVB so that the jumpers do not conflict with the CPLD outputs.

For microprocessor parts, U3 configures the EVB for a specific frequency plan as described in "Appendix—Powerup and Factory Default Settings" on page 23.

LVPECL outputs will not function at 1.8 V. If the Si532x part is to be operate at 1.8 V, the output format needs to be changed by altering either the SFOUT pins (Si5316/22/23) or the SFOUT register bits (Si5319/25/26/27).

6. Connectors and LEDs

6.1. LEDs

There are eight LEDs on the board which provide a quick and convenient means of determining board status.

Table 3. LED Status and Description

| LED | Color | Label |
|-----|--------|---------|
| D1 | Green | 3.3 V |
| D2 | Green | DUT_PWR |
| D5 | Red | LOL |
| D4 | Red | C1B |
| D6 | Red | C2B |
| D3 | Green | CA |
| D7 | Yellow | CPLD |
| D8 | Yellow | MCU |

Si531x-EVB Si532x-EVB

6.2. User Jumpers and Headers

Use the following to locate the jumpers described in Figure 4:

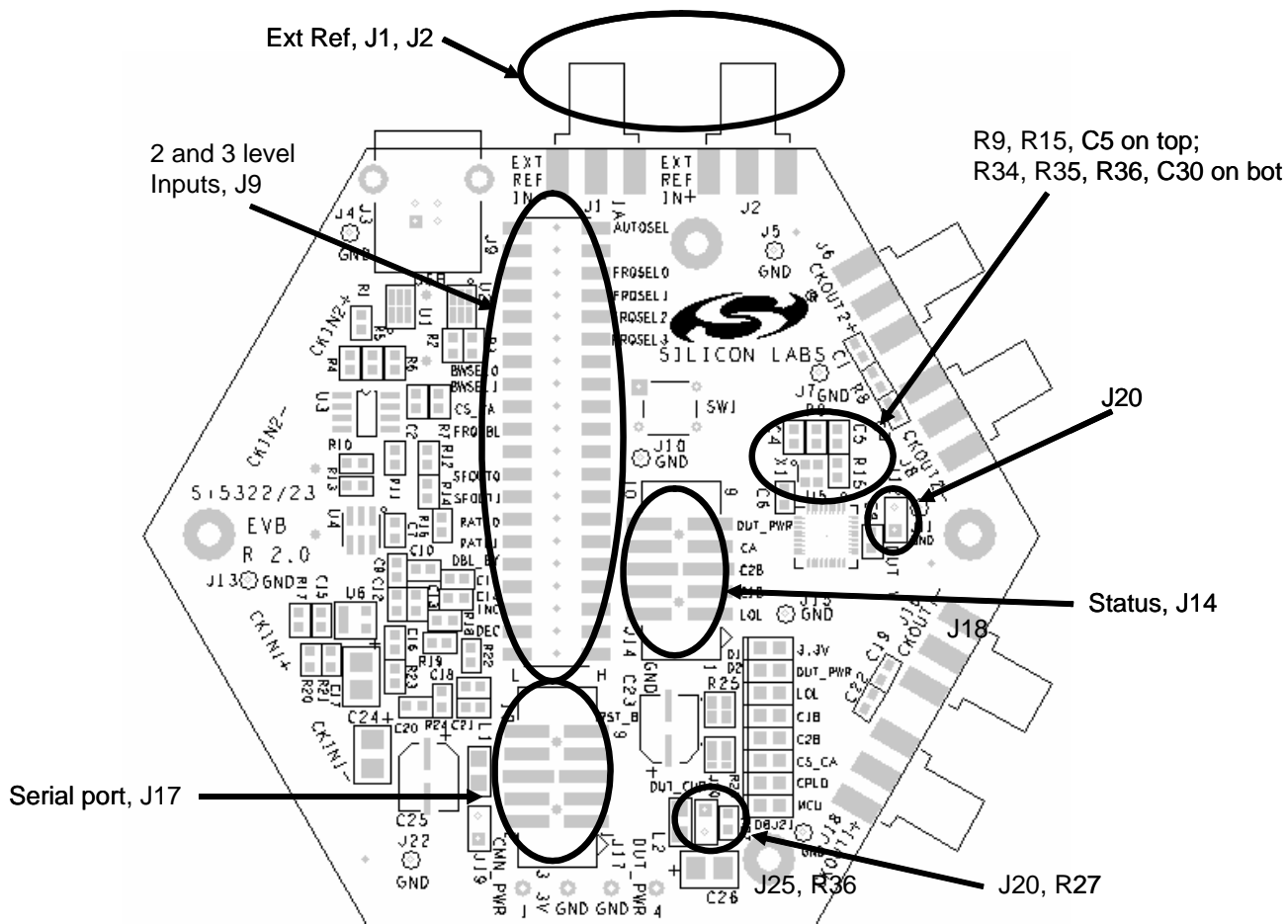


Figure 4. Connectors, Jumper Header Locations

J20 assists in measuring the Any-Frequency Precision Clock current draw. If J20 is to be used, R27 should be removed.

J14 is a 10 pin ribbon header that provides an external path to monitor the status pins.

Table 4. Status Header, J14

| J14 | Pin | Comment |
|-------|---------|--------------|
| J14.1 | LOL | |
| J14.3 | C1B | |
| J14.5 | C2B | |
| J14.7 | CS_CA | clock active |
| J14.9 | DUT_PWR | |

J17 is a 10 pin ribbon header that provides an external path to serially communicate with the Any-Frequency Precision Clock.

To control the Any-Frequency part that is on the Evaluation Board from an external serial port, open the Register Programmer, connect to the Evaluation Board, go to Options in the top toolbar, and select “Switch To External Control Mode”.

To control an Any-Frequency part that is on an external target board from the Evaluation Board using its serial port, tie pin 9 of J17 low so that the on-board Any-Frequency part is constantly being held in reset. This will force it to disable its SDA_SDO output buffer. This will work only for Evaluation Boards that have Rev C or higher Any-Frequency parts.

Table 5. External Serial Port Connector, J17

| J17 | Pin | Comment |
|-------|-----------|-----------|
| J17.1 | SDA_SDO | |
| J17.3 | SCL_SCLK | |
| J17.5 | SDI | |
| J17.7 | A2_SS | |
| J17.9 | DUT_RST_B | not reset |

J9 is a three-pin by twenty header that is used to establish input levels for the pin controlled two and three-level inputs using jumper plugs. It also provides a means of externally driving the two and three-level input signals.

Table 6. Two and Three Level Input Jumper Headers, J9

| J9 | Pin | J9 | Pin | Comment |
|--------|-----------------|--------|---------|----------|
| J9.1B | AUTOSEL | J9.11B | — | not used |
| J9.2B | CMODE | J9.12B | SFOUT0 | |
| J9.3B | A0_FRQSEL0 | J9.13B | SFOUT1 | |
| J9.4B | A1_FRQSEL1 | J9.14B | RATE0 | |
| J9.5B | A2_SS_FRQSEL2 | J9.15B | RATE1 | |
| J9.6B | SDI_FRQSEL3 | J9.16B | DBL2_BY | |
| J9.7B | SCL_SCLK_BWSEL0 | J9.17B | — | not used |
| J9.8B | SDA_SDO_BWSEL1 | J9.18B | INC | |
| J9.9B | CS_CA | J9.19B | DEC | |
| J9.10B | FRQTBL | J9.20B | — | not used |

J12 is used to monitor the Any-Frequency Precision Clock voltage.

J1 and J2 are edge mount SMA connectors that are used, if so configured, to supply an external single-ended or differential reference oscillator.

7. EVB Software Installation

The release notes and the procedure for installing the EVB software can be found on the release CD included with the EVB. These items can also be downloaded from the Silabs web site: www.silabs.com/timing. Follow the links for 1-PLL Jitter attenuators, and look under the Tools tab.

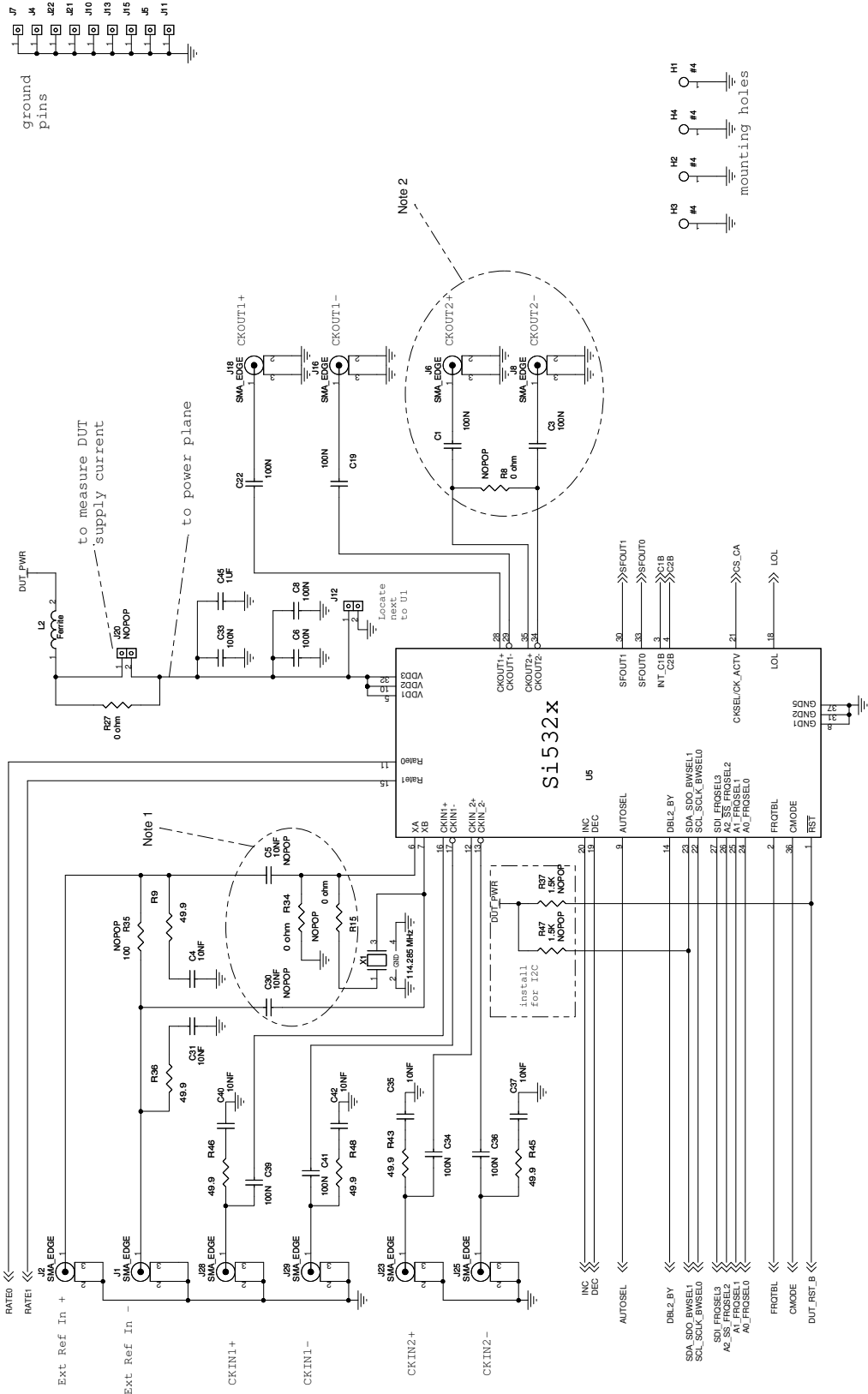
7.1. Precision Clock EVB Software Description

There are several programs to control the Precision Clock device. Each provides a different kind of access to the device. Refer to the online help in each program by clicking **Help**→**Help** in the menu for more information on how to use the software. Note: Some of the Precision Clock devices do not have a register map, so some programs may not be applicable to them.

Table 7. User Applications

| Program | Description |
|---------------------|---|
| Register Viewer | The Register Viewer displays the current register map data in a table format sorted by register address to provide an overview of the device's state. This program can save and print the register map. |
| Register Programmer | The Register Programmer provides low-level register control of the device. Single and batch operations are provided to read from and write to the device. Register map files can be saved and opened in the batch mode. |
| Setting Utility | This application allows for quick access to each control on the Precision Clock device (either pin- or register-based). It can save and open text files as well. |
| DSPLLsim | The DSPLLsim provides high-level control of the Precision Clock device. It has the frequency planning wizard as well as control of the pins and registers in a organized, intuitive manner. |

8. Schematics



- Notes:**
1. Change for Si5322, Si5325, and External Reference.
 2. NOPOP for Si5316.

Figure 5. Si532x

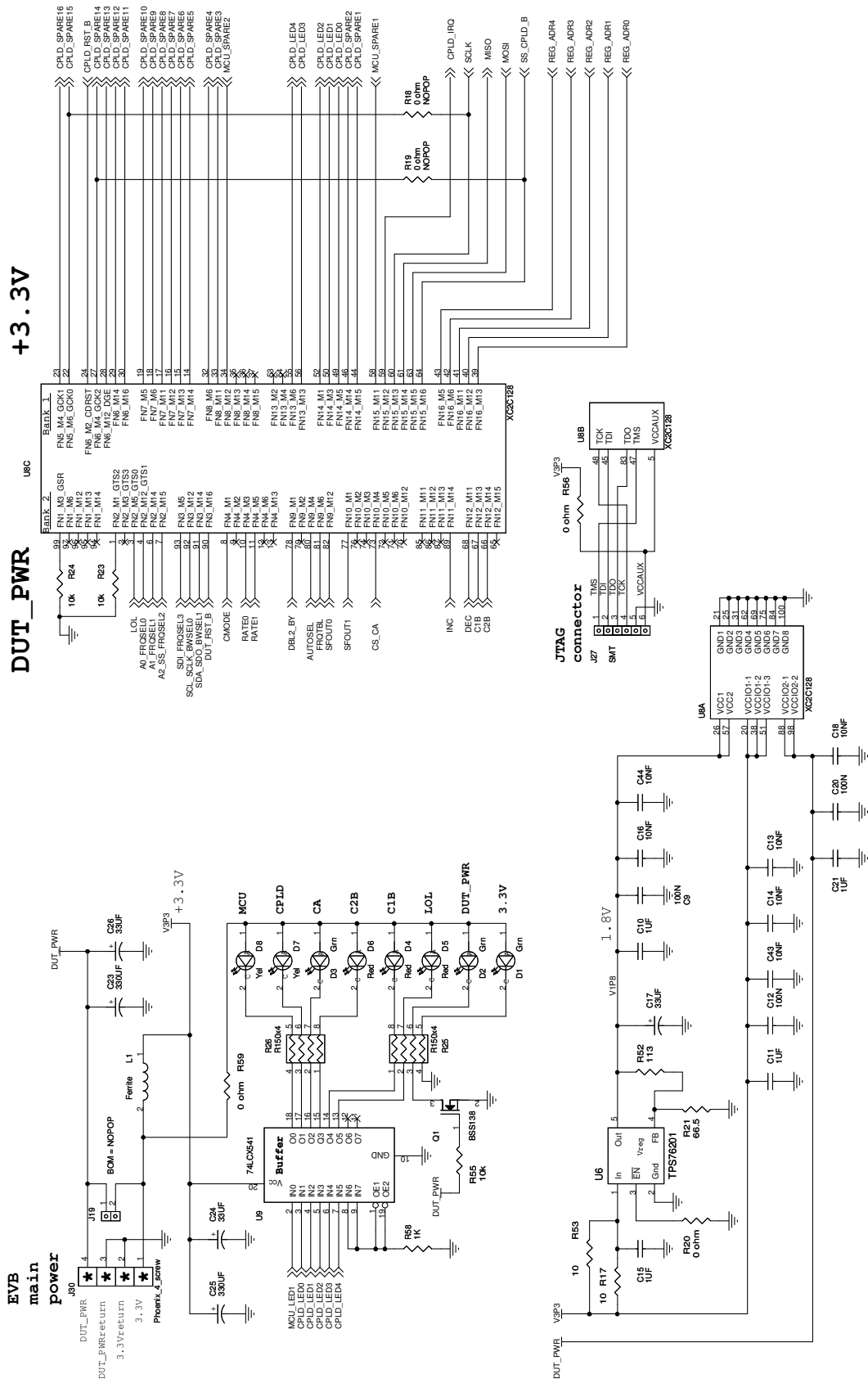


Figure 6. CPLD and Power

Si531x-EVB Si532x-EVB

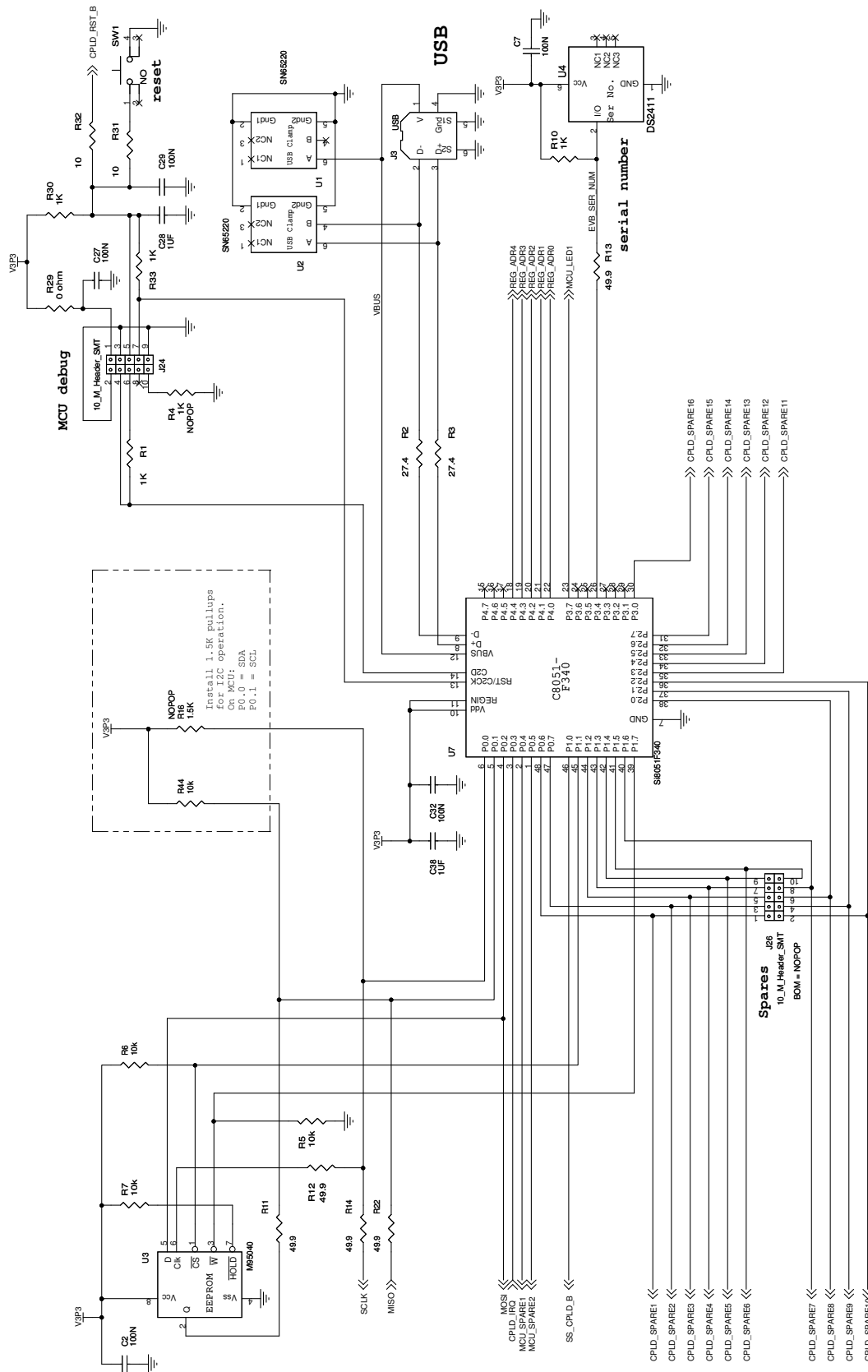
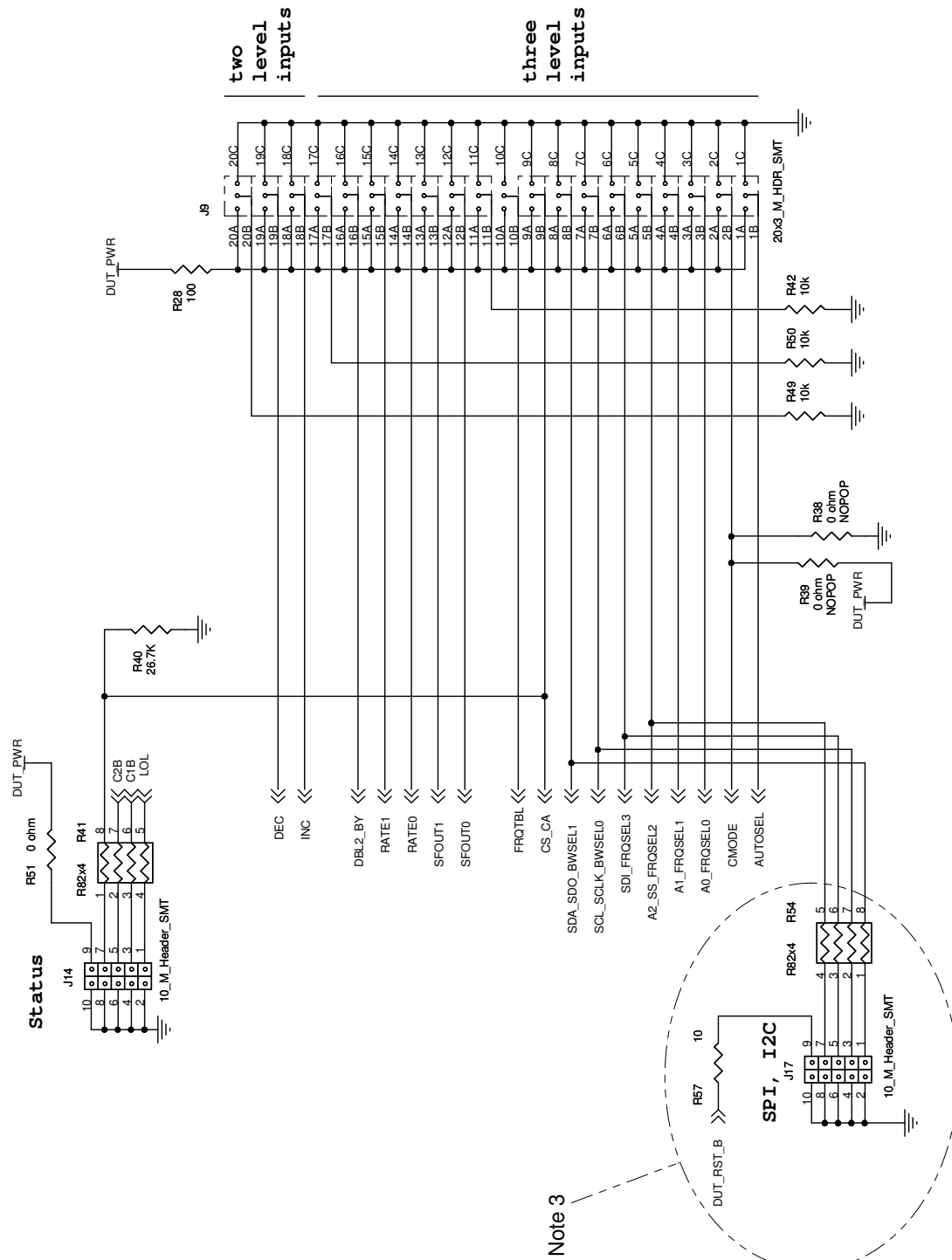


Figure 7. MCU



Note 3

Note: NOPOP for Si5316, Si5322, and Si5323.

Figure 8. Two and Three Level Inputs

Si531x-EVB Si532x-EVB

9. Bill of Materials

Table 8. Si531x/2x Bill of Materials

| Item | Qty | Reference | Part | Mfgr | MfgrPartNum |
|------|-----|--|------------------|-----------|---------------------|
| 1 | 19 | C1,C2,C3,C6,C7,C8,C9,C12,C19,C20,C22,C27,C29,C32,C33,C34,C36,C39,C41 | 100 nF | Venkel | C0603X7R160-104KNE |
| 2 | 12 | C4,C13,C14,C16,C18,C31,C35,C37,C40,C42,C43,C44 | 10 nF | Venkel | C0603X7R160-103KNE |
| 4 | 7 | C10,C11,C15,C21,C28,C38,C45 | 1 μ F | Venkel | C0603X7R6R3-105KNE |
| 5 | 3 | C17,C24,C26 | 33 μ F | Venkel | TA0006TCM336MBR |
| 6 | 2 | C23,C25 | 330 μ F | Panasonic | EEE-HA0J331XP |
| 7 | 3 | D1,D2,D3 | Grn | Lumex | SML-LXT0805GW-TR |
| 8 | 3 | D4,D5,D6 | Red | Lumex | SML-LXT0805SRW-TR |
| 9 | 2 | D7,D8 | Yel | Lumex | SML-LXT0805YW-TR |
| 10 | 4 | H1,H2,H3,H4 | #4 mounting hole | | |
| 11 | 10 | J1,J2,J6,J8,J16,J18,J23,J25,J28,J29 | SMA_EDGE | Johnson | 142-0701-801 |
| 12 | 1 | J3 | USB | FCI | 61729-0010BLF |
| 13 | 9 | J4,J5,J7,J10,J11,J13,J15,J21,J22 | Jmpr_1pin | | |
| 14 | 1 | J9 | 20x3_M_HDR_SMT | Samtec | TSM-120-01-L-TV |
| 15 | 1 | J12 | Jmpr_2pin | | |
| 16 | 3 | J14,J17,J24 | 10_M_Header_SMT | Samtec | HTST-105-01-1m-dv-a |
| 19 | 1 | J27 | SMT | Sullins | GZC36SABN-M30 |
| 20 | 1 | J30 | Phoenix_4_screw | Phoenix | MKDSN 1.5/4-5.08 |
| 21 | 2 | L1,L2 | Ferrite | Venkel | FBC1206-471H |
| 22 | 1 | Q1 | BSS138 | On Semi | BSS138LT1G |
| 23 | 5 | R1,R10,R30,R33,R58 | 1 k Ω | Venkel | CR0603-16W-1001FT |
| 24 | 2 | R2,R3 | 27.4 Ω | Venkel | CR0603-16W-27R4FT |
| 26 | 10 | R5,R6,R7,R23,R24,R42,R44,R49,R50,R55 | 10 k Ω | Venkel | CR603-16W-1002FT |
| 28 | 11 | R9,R11,R12,R13,R14,R22,R36,R43,R45,R46,R48 | 49.9 | Venkel | CR0603-16W-49R9FT |
| 29 | 7 | R15,R20,R27,R29,R51,R56,R59 | 0 Ω | Venkel | CR0603-16W-000T |
| 31 | 5 | R17,R31,R32,R53,R57 | 10 Ω | Venkel | CR0603-16W-10R0FT |
| 32 | 1 | R21 | 66.5 Ω | Venkel | CR0603-16W-66R5FT |
| 33 | 2 | R25,R26 | R150x4 | Panasonic | EXB-38V151JV |
| 34 | 1 | R28 | 100 Ω | Venkel | CR0603-16W-1000FT |
| 36 | 1 | R40 | 26.7 k Ω | Venkel | CR0603-16W-2672FT |

Si531x-EVB Si532x-EVB

Table 8. Si531x/2x Bill of Materials (Continued)

| Item | Qty | Reference | Part | Mfgr | MfgrPartNum |
|--|-----|------------------------|-----------------------|-----------------|-----------------------|
| 37 | 2 | R41,R54 | R82x4 | Panasonic | EXB-38V820JV |
| 38 | 1 | R52 | 113 Ω | Venkel | CR0603-16W-1130FT |
| 39 | 1 | SW1 | NO | Mountain Switch | 101-0161-EV |
| 40 | 2 | U1,U2 | SN65220 | TI | SN65220DBVT |
| 41 | 1 | U3 | M95040 | ST Micro | M95040-WMN6P |
| 42 | 1 | U4 | DS2411 | Maxim/Dallas | DS2411P |
| 43 | 1 | U5 | Si5326A-X-GM* | Silicon Labs | Si5326A-X-GM |
| 44 | 1 | U6 | TPS76201 | TI | TPS76201DBVT |
| 45 | 1 | U7 | Si8051F340 | Silicon Labs | C8051F340-GQ |
| 46 | 1 | U8 | XC2C128 | Xilinx | XC2C128-7VQG100I |
| 47 | 1 | U9 | 74LCX541 | Fairchild | 74LCX541MTC_NL |
| 48 | 1 | X1 | 114.285 MHz | TXC | 7MA1400014 |
| 49 | 1 | X1 for the Si5324 | 114.285 MHz 20 ppm | NDK | EXS00A-CS00997 |
| 50 | 1 | X1 for the Si5327 | 40 MHz | NDK | NX3225SA-40.000000MHZ |
| Not Populated | | | | | |
| 3 | 2 | C5,C30 | 10 nF | Venkel | C0603X7R160-103KNE |
| 17 | 2 | J19,J20 | Jmpr_2pin | | |
| 18 | 1 | J26 | 10_M_Header_SMT | Samtec | HTST-105-01-1m-dv-a |
| 25 | 1 | R4 | 1 k Ω | Venkel | CR0603-16W-1001FT |
| 27 | 6 | R8,R18,R19,R34,R38,R39 | 0 Ω | Venkel | CR0603-16W-000T |
| 30 | 3 | R16,R37,R47 | 1.5 k Ω | Venkel | CR0603-16W-1501FT |
| 35 | 1 | R35 | 100 Ω | Venkel | CR0603-16W-1000FT |
| <p>Note: X denotes the product revision. Consult the ordering guide in the Si5326 data sheet for the latest product revision. For the Si5322/23-EVB, substitute Si5323A-X-GM. For the Si5316-EVB, substitute Si5316-C-GM. For the Si5319-EVB, substitute Si5319A-X-GM. For the Si5324-EVB, substitute Si5324A-X-GM. For the Si5327-EVB, substitute Si5327A-X-GM.</p> | | | | | |

Si531x-EVB Si532x-EVB

10. Layout

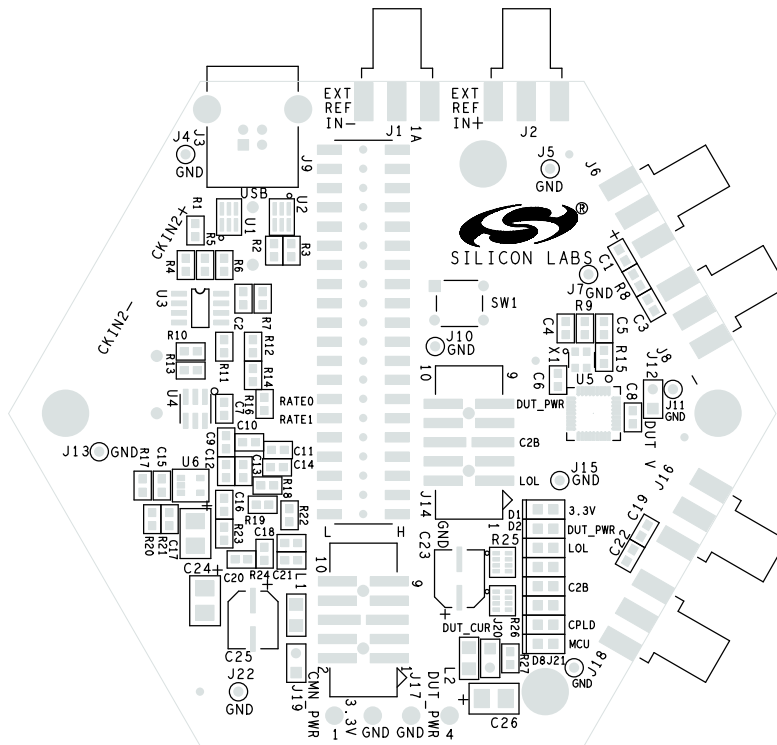


Figure 9. Silkscreen Top

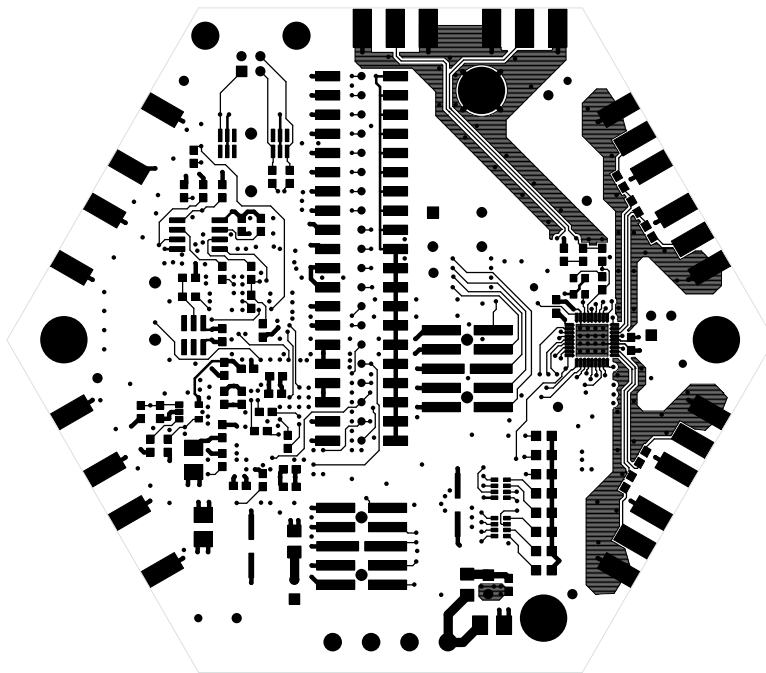


Figure 10. Layer 1

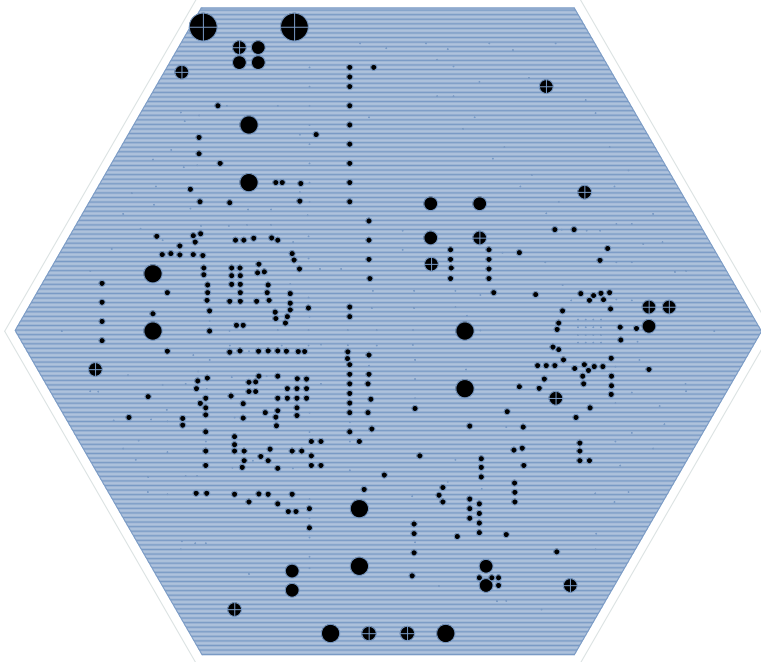


Figure 11. Layer 2, Ground Plane

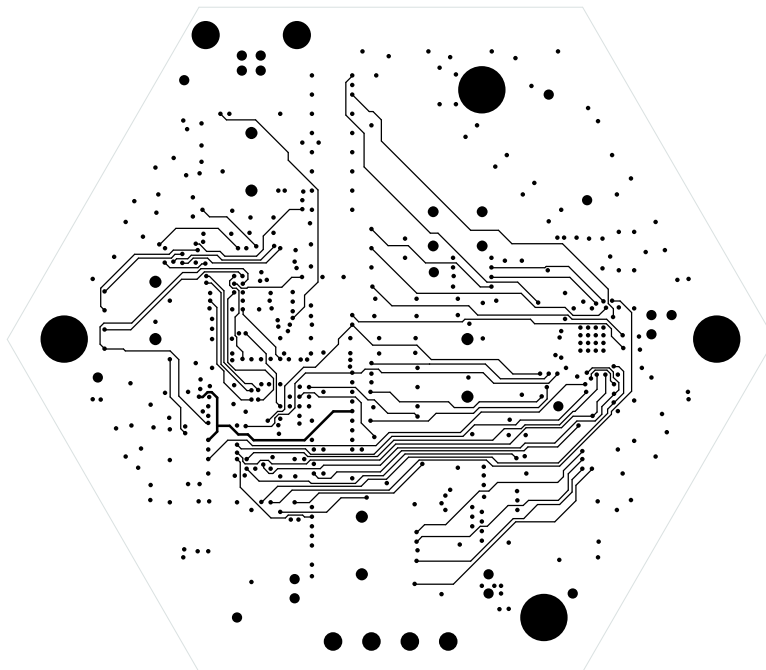


Figure 12. Layer 3

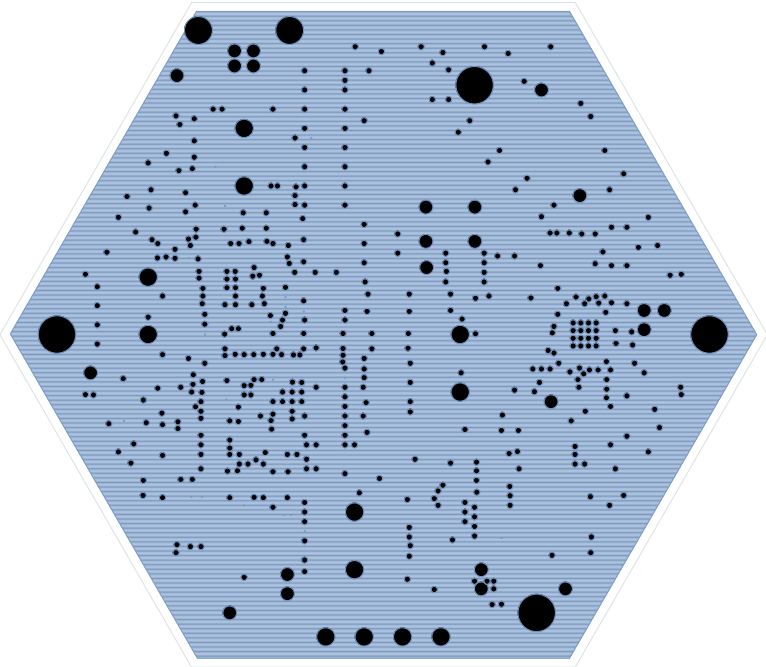


Figure 13. Layer 4, 3.3 V Power

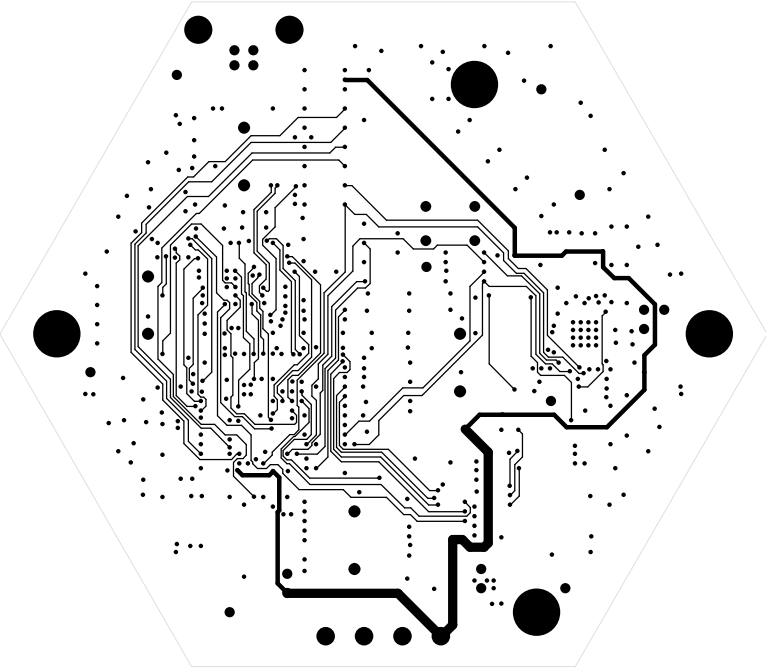


Figure 14. Layer 5

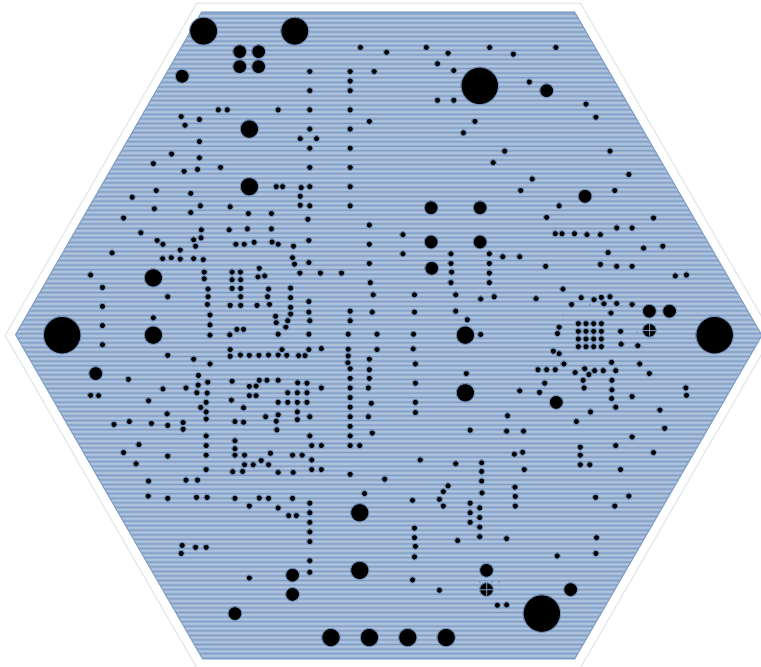


Figure 15. Layer 6, DUT Power

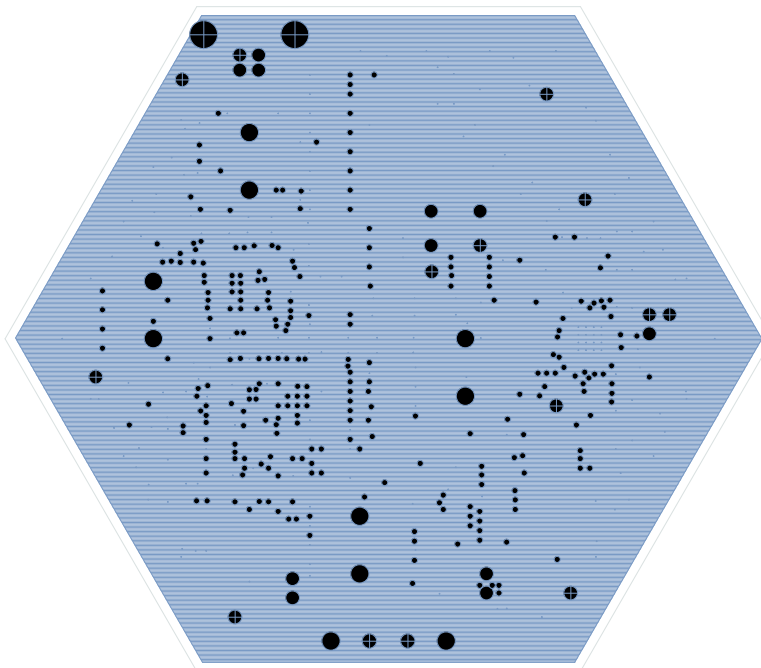


Figure 16. Layer 7, Ground Plane

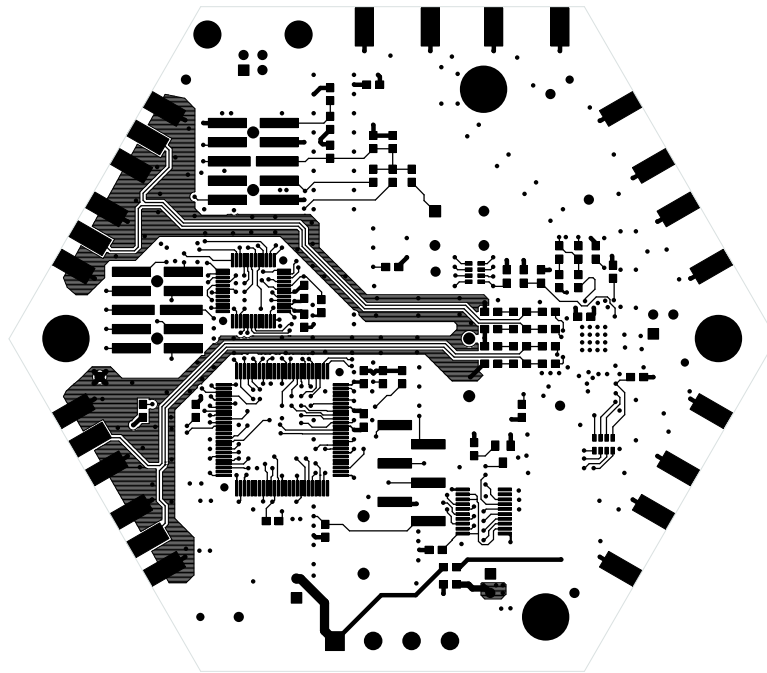


Figure 17. Layer 8

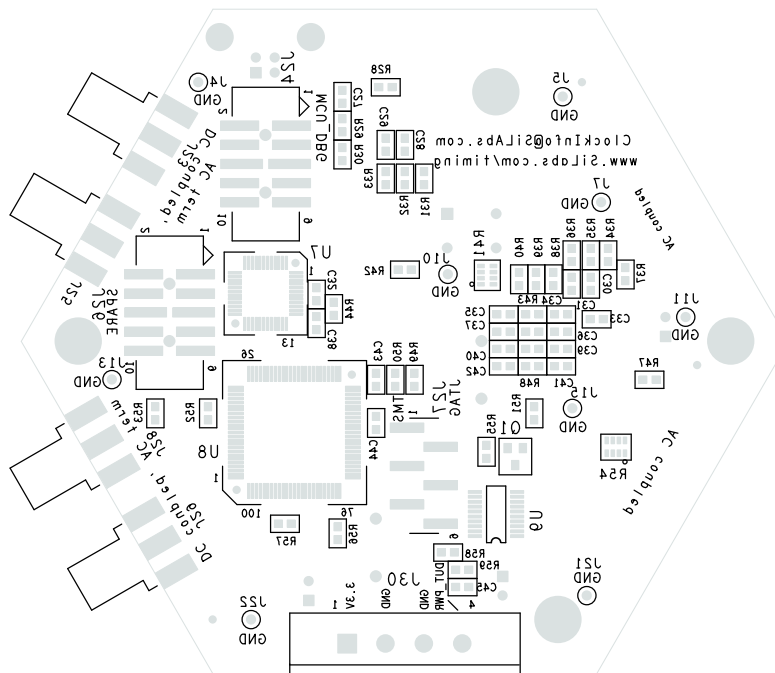


Figure 18. Silkscreen Bottom

APPENDIX—POWERUP AND FACTORY DEFAULT SETTINGS

For the Si5324-EVB, Si5325/26-EVB, and Si5327-EVB, the power up settings are as follows:

19.44 MHz input on CKIN1
CKIN2 is not used because of free run mode
155.52 MHz output on CKOUT1
622.08 MHz output on CKOUT2
Loop BW of 70 Hz (Si5325/26-EVB)
Loop BW of 7 Hz (Si5324-EVB and Si5327-EVB)
LVPECL outputs for CKOUT1 and CKOUT2

For the Si5322/23-EVB, the factory jumper settings are as follows:

| <u>Pin</u> | <u>Jumper</u> | <u>Comment</u> |
|------------|---------------|----------------------------------|
| AUTOSEL | H | automatic, revertive |
| — | none | |
| FRQSEL0 | none | FRQSEL = LMLM |
| FRQSEL1 | L | 19.44 MHz input |
| FRQSEL2 | none | 155.52 MHz output |
| FRQSEL3 | L | |
| BWSEL0 | H | BW is 96 Hz, the minimum |
| BWSEL1 | H | |
| CS_CA | none | CS_CA is an output, not an input |
| FRQTBL | L | SONET frequency table |
| — | none | |
| SFOUT0 | H | PECL outputs |
| SFOUT1 | none | |
| RATE0 | none | 114.285 MHz ref xtal |
| RATE1 | none | |
| DBL_BY | L | CKOUT2 enabled |
| — | none | |
| INC | none | |
| DEC | none | |
| — | none | |

For the Si5319-EVB, the power up settings are as follows:

Free run mode, based on the 114.285 MHz crystal
19.44 MHz on CKOUT
Loop BW of 110 Hz
LVEPCL output for CKOUT

Si531x-EVB Si532x-EVB

For the Si5316-EVB, the factory jumper settings are as follows:

| <u>pin</u> | <u>jumper</u> | <u>comment</u> |
|------------|---------------|---------------------------|
| — | none | |
| — | none | |
| FRQSEL0 | L | FRQSEL = LL |
| FRQSEL1 | L | 19.44 MHz input/output |
| CK1DIV | L | div by 1 |
| CK2DIV | L | div by 1 |
| BWSEL0 | H | BW is 100 Hz, the minimum |
| BWSEL1 | H | |
| CS | L | select CKIN1 |
| — | none | |
| — | none | |
| SFOUT0 | H | PECL output |
| SFOUT1 | none | |
| RATE0 | none | 114.285 MHz ref xtal |
| RATE1 | none | |
| DBL_BY | L | CKOUT enabled |
| — | none | |
| — | none | |
| — | none | |

DOCUMENT CHANGE LIST

Revision 0.1 to Revision 0.2

- Added Si5319-EVB.
- Add "Appendix—Powerup and Factory Default Settings" on page 23.

Revision 0.2 to Revision 0.3

- Updated for free run mode.

Revision 0.3 to Revision 0.4

- Added Si5324-EVB

Revision 0.4 to Revision 0.5

- Added Si5327-EVB.
- Changed any-rate to any-frequency.

Revision 0.5 to Revision 0.6

- Removed software installation instructions and directed reader to refer to release CD or download from Silicon Labs web site.



ClockBuilder Pro

One-click access to Timing tools, documentation, software, source code libraries & more. Available for Windows and iOS (CBGo only).

www.silabs.com/CBPro



Timing Portfolio
www.silabs.com/timing



SW/HW
www.silabs.com/CBPro



Quality
www.silabs.com/quality



Support and Community
community.silabs.com

Disclaimer

Silicon Laboratories intends to provide customers with the latest, accurate, and in-depth documentation of all peripherals and modules available for system and software implementers using or intending to use the Silicon Laboratories products. Characterization data, available modules and peripherals, memory sizes and memory addresses refer to each specific device, and "Typical" parameters provided can and do vary in different applications. Application examples described herein are for illustrative purposes only. Silicon Laboratories reserves the right to make changes without further notice and limitation to product information, specifications, and descriptions herein, and does not give warranties as to the accuracy or completeness of the included information. Silicon Laboratories shall have no liability for the consequences of use of the information supplied herein. This document does not imply or express copyright licenses granted hereunder to design or fabricate any integrated circuits. The products must not be used within any Life Support System without the specific written consent of Silicon Laboratories. A "Life Support System" is any product or system intended to support or sustain life and/or health, which, if it fails, can be reasonably expected to result in significant personal injury or death. Silicon Laboratories products are generally not intended for military applications. Silicon Laboratories products shall under no circumstances be used in weapons of mass destruction including (but not limited to) nuclear, biological or chemical weapons, or missiles capable of delivering such weapons.

Trademark Information

Silicon Laboratories Inc., Silicon Laboratories, Silicon Labs, SiLabs and the Silicon Labs logo, CMEMS®, EFM, EFM32, EFR, Energy Micro, Energy Micro logo and combinations thereof, "the world's most energy friendly microcontrollers", Ember®, EZLink®, EZMac®, EZRadio®, EZRadioPRO®, DSPLL®, ISOmodem®, Precision32®, ProSLIC®, SiPHY®, USBXpress® and others are trademarks or registered trademarks of Silicon Laboratories Inc. ARM, CORTEX, Cortex-M3 and THUMB are trademarks or registered trademarks of ARM Holdings. Keil is a registered trademark of ARM Limited. All other products or brand names mentioned herein are trademarks of their respective holders.



Silicon Laboratories Inc.
400 West Cesar Chavez
Austin, TX 78701
USA

<http://www.silabs.com>