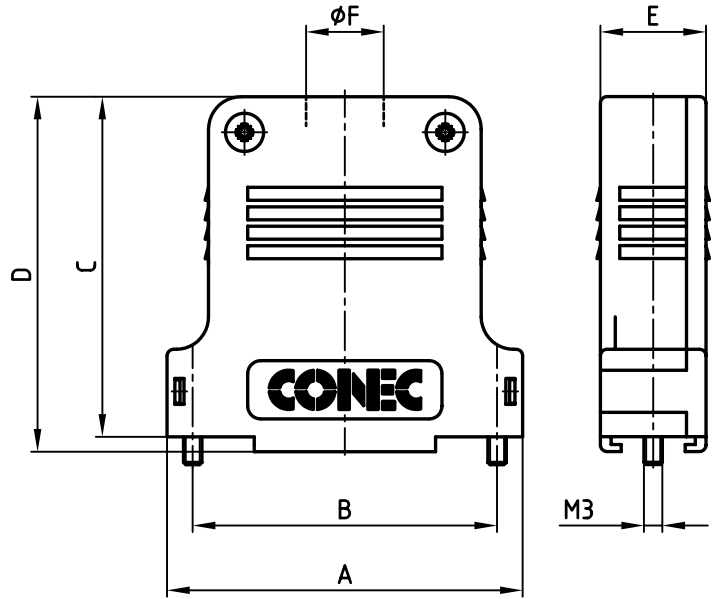
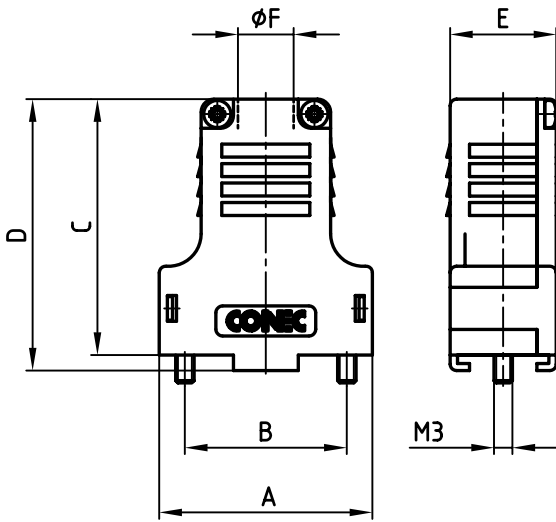


used for: D-SUB

ⓑ 15-50pos.

ⓑ 9pos.



ⓑ

| No. of pos. | A | B | C | D | E | ØF | Part-NO. Single package | Part-NO. Bulk package |
|-------------|------|------|------|------|------|------|----------------------------|--------------------------|
| 9 | 32.9 | 25.0 | 39.5 | 41.9 | 16.4 | 10.6 | 165X14509XE | 165X14509X |
| 15 | 41.2 | 33.3 | 45.5 | 47.9 | 16.4 | 13.0 | 165X14519XE | 165X14519X |
| 25 | 54.9 | 47.0 | 52.5 | 54.8 | 16.4 | 12.0 | 165X14529XE | 165X14529X |
| 37 | 71.4 | 63.5 | 55.0 | 57.8 | 18.8 | 14.5 | 165X14539XE | 165X14539X |
| 50 | 69.0 | 61.1 | 55.0 | 57.9 | 19.6 | 14.5 | 165X14549XE | 165X14549X |

ⓑ HOOD ASSEMBLY CONSISTS OF:

- 1 x HOOD + COVER: PBT UL 94 V-0; BLACK
- 1 x PRESS INSERT: PBT UL 94 V-0; BLACK
- 2 x JACKSCREWS: BRASS; NICKEL PLATED
- 2 x SCREW FOR STRAIN RELIEF: STEEL; NICKEL PLATED
- 2 x COVER SCREWS: STEEL; NICKEL PLATED
- 1 x STRAIN RELIEF: STEEL; NICKEL PLATED



TECHNICAL DATA:

- TEMPERATURE RANGE: -33°C to +90°C

APPROVAL * FREIGABE * DEBLOCAGE * AUTORIZACION * APPROVAL

CUSTOMER APPROVAL DATE:

NAME: TITLE:

COMPANY NAME:

APPROVAL * FREIGABE * DEBLOCAGE * AUTORIZACION * APPROVAL

THIS DRAWING MAY NOT BE COPIED OR REPRODUCED IN ANY WAY, AND MAY NOT BE PASSED ON TO A THIRD PARTY, WITHOUT WRITTEN PERMISSION. OWNERSHIP AND COPYRIGHT OF CONEC GmbH DO NOT ALTER CAD DRAWING BY HAND

| rev. | description | date | name |
|-------|-------------|------------|--------|
| 4 x b | Ä 2544 | 03.08.2006 | Lehmen |
| a | Origin | | |

| tolerance | dim. in mm |
|-----------|------------|
| 2001 | date |
| drawn | 23.11. |
| name | Parei |
| appd. | 23.11. |
| name | Resonnek |
| norm | |
| d-old | |

scale: 1:1

material: SEE DRAWING

title: PLASTIC HOOD 9-50pos. with straight cable exit

dwg no: AutoCAD 2006 DIN-A 3 sh: 1/1

part no: SEE TABLE

