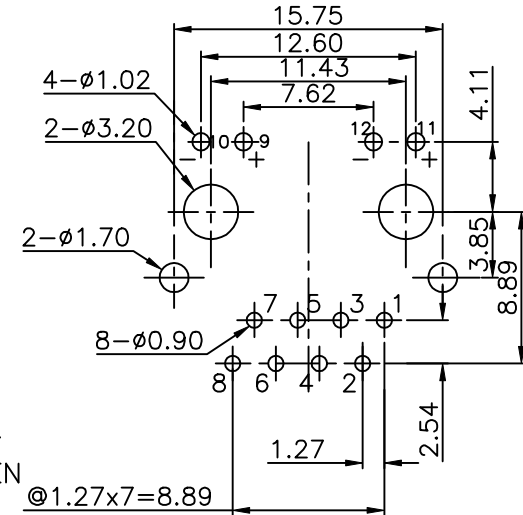
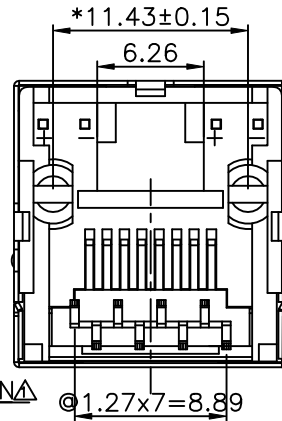
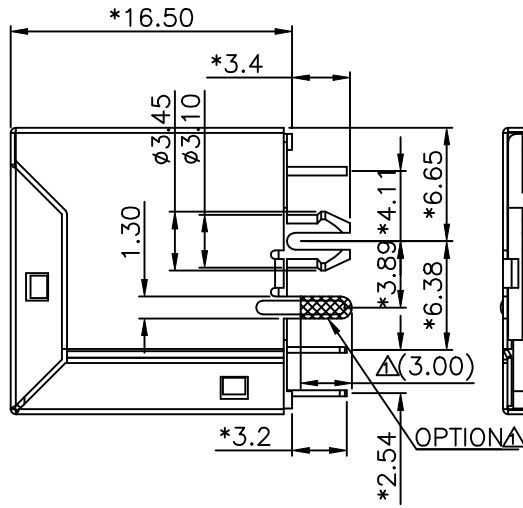
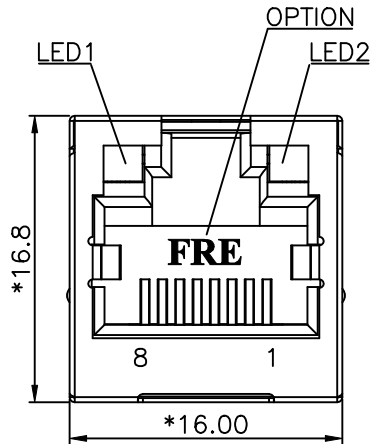


| REVISION RECORD |     |                |                  |      |
|-----------------|-----|----------------|------------------|------|
| REV             | ECO | DESCRIPTION    | DRFT             | CHKD |
| ▲               |     | DRAWING MODIFY | JANN<br>05/12/16 |      |



- |                         |            |                         |            |                         |            |                         |            |                         |            |            |            |
|-------------------------|------------|-------------------------|------------|-------------------------|------------|-------------------------|------------|-------------------------|------------|------------|------------|
| LED1<br>10              | LED2<br>12 | LED1<br>10              | LED2<br>12 | LED1<br>10              | LED2<br>12 | LED1<br>10              | LED2<br>12 | LED1<br>10              | LED2<br>12 | LED1<br>10 | LED2<br>12 |
| GREEN                   | GREEN      | GREEN                   | YELLOW     | YELLOW                  | YELLOW     | YELLOW                  | GREEN      | YELLOW/GREEN            | GREEN      |            |            |
| FOR P/N: E5288-XX005X-L |            | FOR P/N: E5288-XX0C0X-L |            | FOR P/N: E5288-RA0C1X-L |            | FOR P/N: E5288-RA0C2X-L |            | FOR P/N: E5288-3A0C3X-L |            |            |            |

**NOTES:**  
**ELECTRICAL:**

- VOLTAGE RATING : 125 VAC RMS.
- CURRENT RATING : 1.5 AMP.
- CONTACT RESISTANCE : 30 MILLIOHMS MAX.
- INSULATION RESISTANCE: 1000 MEGOHMS MIN @ 500 VDC.
- DIELECTRIC STRENGTH : 1000 VDC RMS 60Hz, 1MIN.

**MECHANICAL:**

- SHIELD MATERIAL : BRASS C2680 t=0.25mm.
- HOUSING MATERIAL : FR50UL94V-0  
HOUSING COLOR : BLACK
- CONTACT MATERIAL : PHOSPHOR BRONZE t=0.35mm.
- PLATING : GOLD PLATING OVER NICKEL.
- OPERATING LIFE : 750 CYCLES MIN.
- PCB RETENTION PRE-SOLDER : 1 LB MIN.
- PCB RETENTION POST-SOLDER: 10 LBS MIN.
- LED'S CHARACTERISTICS:  
8-1.POWER DISSIPATION:80MW MAX.  
8-2.FORWARD CURRENT:30MA MAX.  
8-3.FORWARD VOLTAGE:2.2 VOLTS TYPICAL.  
8-4.REVERSE VOLTAGE:5.0VOLTS MAX.  
8-5.PEAR EMISSION WAVELENGTH:GREEN LED 568nm TYPICAL.  
YELLOW LED 589 nm TYPICAL.  
8-6.ANODE → CATHODE

**ENVIRONMENTAL:**

- STORAGE : -40°C TO +85°C.
- OPERATION: 0°C TO +70°C.
- WAVE SOLDER TEMPERATURE: 230°C ~250°C.  
5~10 SECONDS

MATES WITH MODULAR PLUG CONFORMING TO  
FCC PART 68, SUBPART F.  
CUL FILE NO. E163191

ROHS PART NUMBER: E5288-XX0XXX-L

- L1- 3u" 2- 6u" 3-15u"
- 4-30u" 5-50u"
- 05-LED1 GREEN LED2 GREEN
- C0-LED1 GREEN LED2 YELLOW
- C1-LED1 YELLOW LED2 YELLOW
- C2-LED1 YELLOW LED2 GREEN
- C3-LED1 YELLOW/GREEN LED2 GREEN

|                        |                            |                         |                      |   |         |      |
|------------------------|----------------------------|-------------------------|----------------------|---|---------|------|
| DETACHED LISTS         | MM (INCH)                  | DFTO ANKUE              | DATE 05/20/05        | FULL RISE ELECTRONIC CO., LTD           |         |      |
|                        | TOLERANCES EXCEPT AS NOTED | CHKD ANKUE              | DATE 2005/12/16      |   |         |      |
|                        | MM                         | MFO                     | DATE                 | TITLE<br>RJ45 TOP ENTRY PCB JACK(W/LED) |         |      |
|                        | .0 ±0.20                   | APPVL-LUSHENG           | DATE 2005/12/16      |   |         |      |
| .00 ±0.15              | MATERIAL :                 | DRAWING NO. GE523120-LC |                      | SIZE                                    | REV     |      |
| .000 ±0.075            | ANGLES ±                   | QTY :                   | /PART NO. SEE NOTE   |   | A3      | 1    |
| THIRD ANGLE PROJECTION | FINISH :                   | SCALE :                 | DO NOT SCALE DRAWING |   | SHEET X | OF Y |