

Figure 1

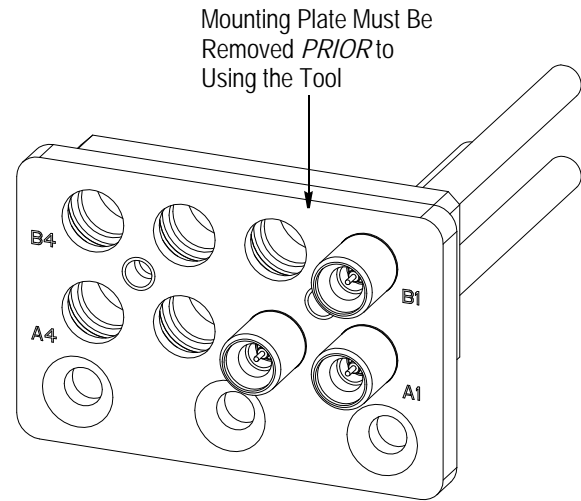


Figure 2

## 1. INTRODUCTION

Extraction Tool 2161640-1 is designed to remove SMPM straight cable plugs 2101012-1 from RF backplane assembly modules 2157553-1. See Figure 1.

Read these instructions thoroughly before attempting to remove any contacts.



### NOTE

*Dimensions on this sheet are in metric units [with U.S. customary units in brackets]. Figures and illustrations are for reference only, and are not drawn to scale.*

## 2. DESCRIPTION (Figure 1)

The extraction tool consists of a spring-loaded metal tip with an integral plunger mounted to a plastic handle with an interlock lever. When the interlock lever is depressed, the plunger is held until the contact retaining ring is compressed by the tip.

After the lever is released, the plunger is released, permitting the contact to be pushed out the rear of the connector.

## 3. EXTRACTION PROCEDURE (Figure 2)

1. Remove the mounting plate. See Figure 2.
2. Determine the contact to be removed and grasp the wire attached to that contact.
3. Move the contact forward as far as possible by pushing the wire toward the connector.

4. Depress the extraction tool interlock lever and insert the tip of the tool into the contact cavity in the mating face of the connector. Make sure that the tip is completely bottomed in the cavity.

*Push Wire Toward Connector  
 Before Engaging the Tool Tip*

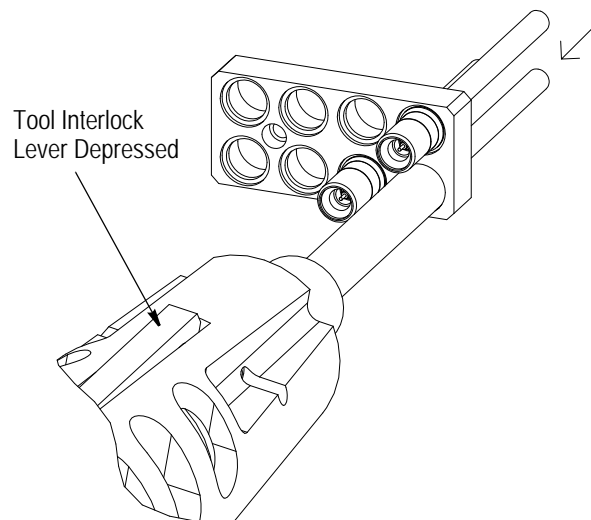


Figure 3

5. While holding the extraction tool in position and pulling back on the wire, release the interlock lever and push the tool handle forward. The wire and contact should pull out of the connector.

#### 4. TOOL MAINTENANCE

It is recommended that the tool be inspected when you receive it and at regularly scheduled intervals. The tool is not repairable and should be replaced when it is worn or damaged. Store the extraction tool in a clean, dry place and clean the extraction tool with a soft, lint-free cloth.

Additional tools can be purchased from:

CUSTOMER SERVICE (038-035)  
TYCO ELECTRONICS CORPORATION  
PO BOX 3608  
HARRISBURG PA 17105-3608

#### 5. REVISION SUMMARY

- Updated document to corporate requirements
- Changed text in Section 2, DESCRIPTION
- Deleted two NOTES in document