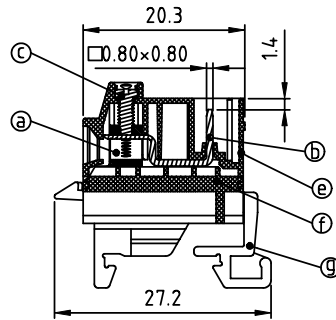
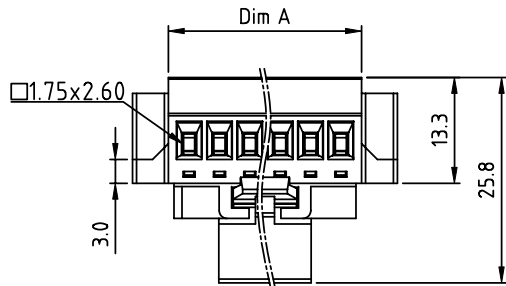
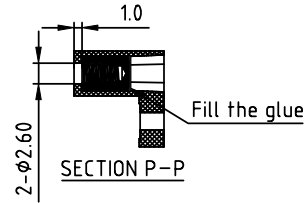
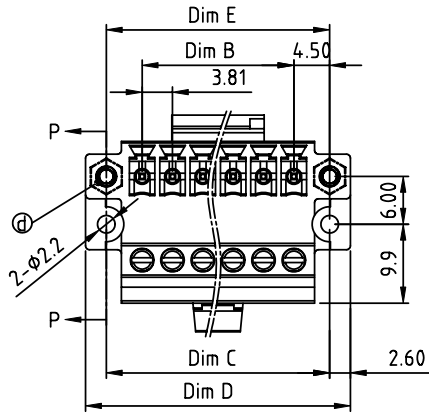


PRODUCT NUMBER	PITCH
V5xx31x300J0G	3.81mm



Material:

- Item㉑ Clamp: Brass Ni plated
- Item㉒ Pin: Brass, Tin plated.
- Item㉓ Terminal screw: Steel Zinc plating
- Item㉔ With flange nut: Brass M2.5
- Item㉕ Terminal housing: Thermoplastic (UL94V-0)
- Item㉖ Terminal cover: Thermoplastic (UL94V-0)
- Item㉗ Terminal(track): Thermoplastic (UL94V-0)

Electrical: cULus

- Voltage rating:300V
- Current rating:8A
- Wire range:
- Solid wire(AWG):14-28
- Stranded wire(AWG):14-28
- Torque(Lb-In):2.17
- Screw: M2
- Wire strip length:6 mm
- Withstanding Voltage:1.6KV
- Operating temperature:-40°C to +115°C
- Safety Approval:

N=Number of poles
 Dim A=Nx3.81+1.39
 Dim B=(N-1)x3.81
 Dim C=Nx3.81+5.19
 Dim D=Nx3.81+10.39
 Dim E=Nx3.81+5.19

Poles	Tolerance
3-6p	±0.15
7-12p	±0.20
13-18p	±0.30
19-24p	±0.35

PART NO.: V5 xx 31 x 3 00J0 G

	Color	RoHS compliant
Solid block	0 Black (RAL9005)	(lead<4%)
No. of poles	2 Red (RAL3001/D)	In copper Alloy
03 3 poles	3 Orange(RAL2011/P)	
04 4 poles	4 Yellow(RAL1018/A)	
...	5 Green(RAL6018/T)	
24 24 poles	6 Blue (RAL5015/A)	
	8 Grey(RAL7035/D)	
	9 White(RAL1102)	
	C Green(RAL6018/U)	

mat'l. code		surface ASME Y14.5	tolerance ASME Y14.5	projection 	product family TERMINAL BLOCK
ltr	ecn no	dr	date		title TERMINAL BLOCK PLUGGABLE PLUG, WITH FLANGE DIN RAIL MOUNTING, A TYPE
				angles 	scale MM
				X±0.5	dwg no V5xx31x300J0G
				X.X±0.3	sheet 1 of 1
				X*±1"	X.XX±0.1
		dr	EVIN ZHONG	050414	size A4
		enr	EVIN ZHONG	050414	
		chr	HANKE FENG	050414	
		appd	SHI JUN	050414	
sheet index	revision	A			type CUSTOMER Drawing
	sheet	1			