

# K5V

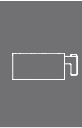
## Right Angle Lighted SMT Tact Switch

### Features

- Gold plated dome contact SPST/SPDT
- Excellent ergonomie
- High bright LEDs
- Reduced space usage on board
- 70 N min shear force
- Tape and reel
- Lead free compliant

### Typical Applications

- When backlighting and switch are required to be a "2 in 1" component
- The dome contact secures a superior contact reliability in time
- The ergonomie of K5V provides a long travel, a sharp tactile feel and a sound click



B

Tactile Switches

### Specification

FUNCTION: momentary action  
 CONTACT ARRANGEMENT: Normally Open + Normally Closed  
 TERMINALS: SMT with positioning pegs

### Mechanical

Type	Operating force FA <sup>1</sup> Newtons (grams)	Operating life (operations)	Travel (total travel) mm(mm)
K5V10023G	2.0 (200)	100,000	0.6 (2.5)
K5V10043G	4.5 (450)	30,000	1.2 (2.5)

<sup>1</sup>) Tolerances of operating force FA is ± 25%.

### Packaging

350 pieces per reel  
 Reel ø 330mm

### Electrical

POWER MIN/MAX: 0.02VA / 1.0VA  
 VOLTAGE MIN/MAX: 20mVdc – 32 Vdc  
 CURRENT MIN/MAX DC: 0.05mA (gold) – 100mA (silver)  
 CONTACT RESISTANCE: <100mOhms  
 INSULATION RESISTANCE: >1GOhms initial, >10MOhms after damp heat  
 BOUNCE TIME: <5ms

### Environmental

OPERATING TEMPERATURE: -40 C TO 85 C  
 STORAGE TEMPERATURE: -50 C TO 85 C  
 RELATIVE HUMIDITY: 90 to 96% according to NF EN 60068-2-30  
 OVERLOAD: 50N min  
 SHEAR TEST SMT: 70N min

### Process

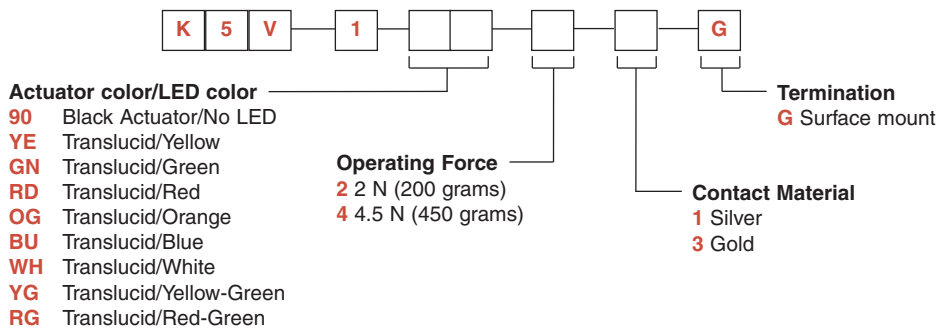
SOLDERING: Infrared reflow in accordance with CECC 00802  
 FLUX TIGHT. No wash.  
 LEAD FREE AND RoHs COMPLIANT

### Materials

CONTACTS: Au over Ni  
 SOLDERING: Ag or Au  
 HOUSING: Thermoplastic UL94 HB

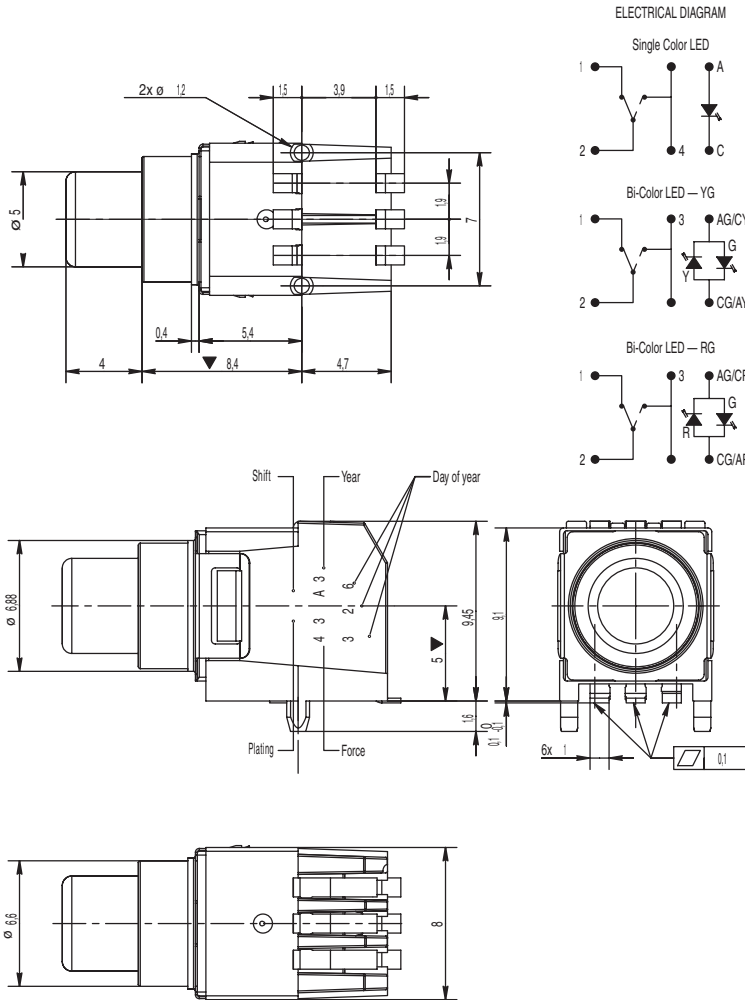
### How To Order

Our easy build-a-switch concept allows you to mix and match options to create the switch you need. To order, select desired option from each category and place it in the appropriate box.

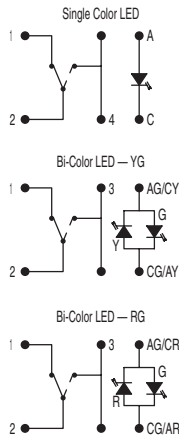


# K5V Right Angle Lighted SMT Tact Switch

## K5V SMT

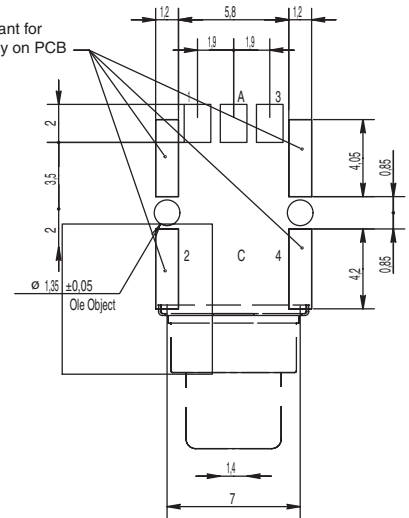


### ELECTRICAL DIAGRAM

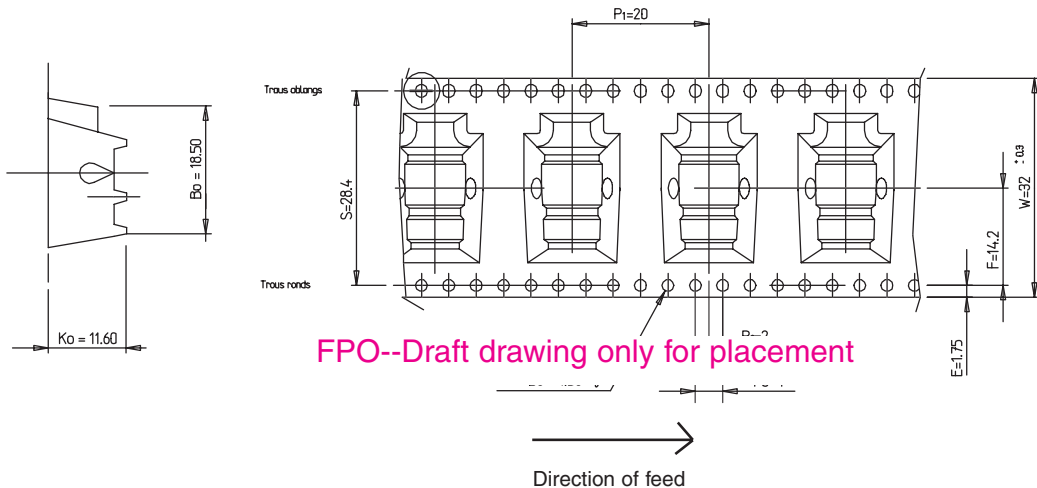


### RECOMMENDED PCB LAYOUT ( WITH HOLES ) TOP VIEW

Areas important for switch stability on PCB



## TAPE & REEL



**B**  
Tactile Switches