
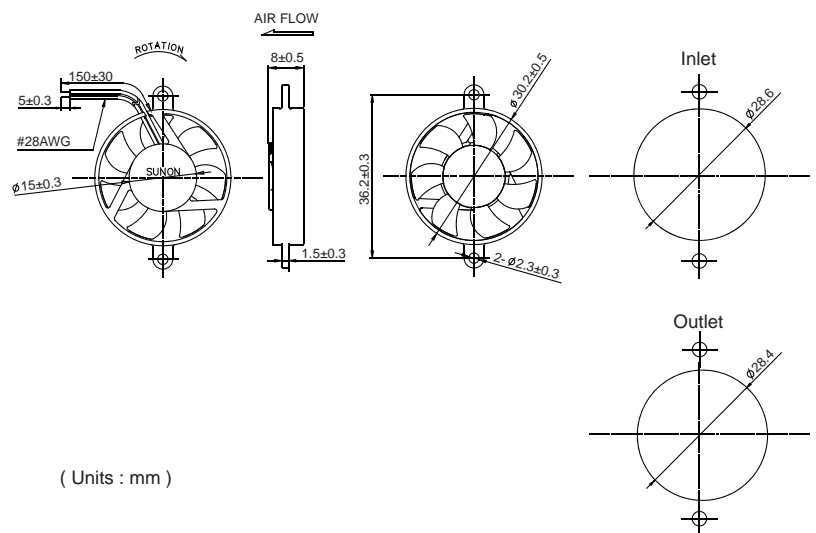
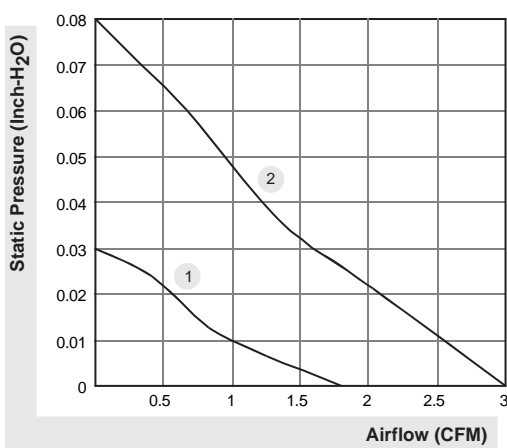


∅ 30X8 mm

1.8 / 3.0 CFM



 EF30080S2-E00U-A99	Bearing	Rating Voltage (VDC)	Power Current (mA)	Power Consumption (WATTS)	Speed (RPM)	Air Flow (CFM)	Static Pressure (Inch-H <sub>2</sub> O)	Noise (dBA)	Weight (g)	Curve
	○ SLEEVE	○	3.3 / 5	60 / 80	0.20 / 0.40	4300 / 7000	1.8 / 3.0	0.03 / 0.08	3.1 / 17.0	4.3




\*All model could be customized. Please contact with Sunon Sales.

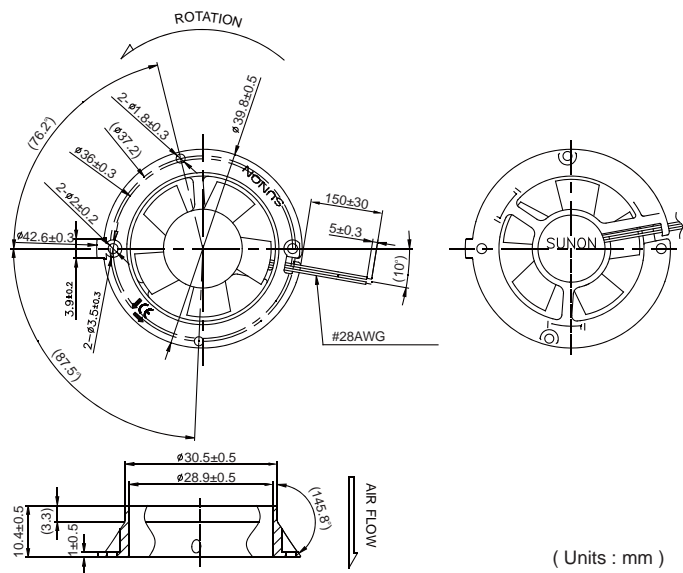
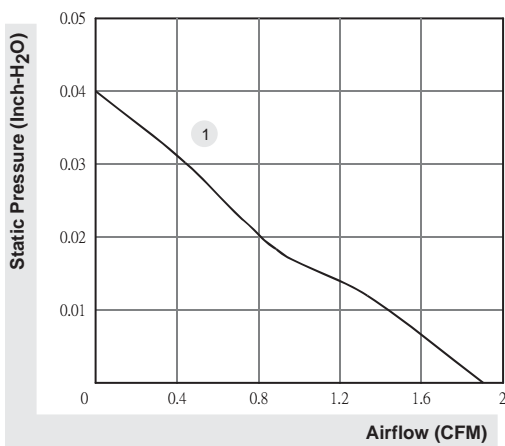
\*Specifications are subject to change without notice. Please Visit SUNON web site at <http://www.sunon.com> for update information.

∅ 30X10 mm

1.9 CFM



 HA30101V3-E00U-A99	Bearing	Rating Voltage (VDC)	Power Current (mA)	Power Consumption (WATTS)	Speed (RPM)	Air Flow (CFM)	Static Pressure (Inch-H <sub>2</sub> O)	Noise (dBA)	Weight (g)	Curve
	● VAPO	●	12	25	0.30	4400	1.9	0.04	10.5	7.3



\*All model could be customized. Please contact with Sunon Sales.

\*Specifications are subject to change without notice. Please Visit SUNON web site at <http://www.sunon.com> for update information.