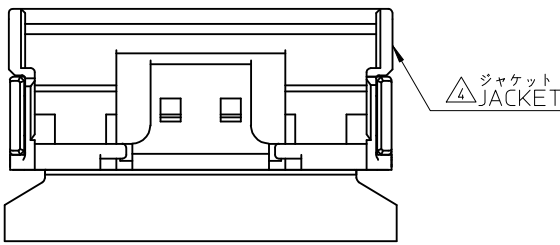


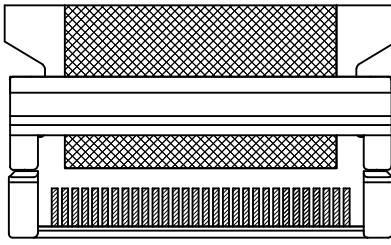
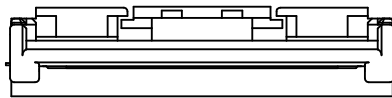
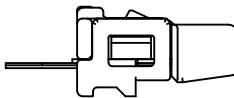
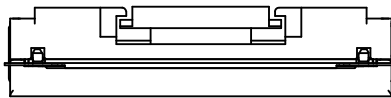
3	10	17.2	19.1	19.8	14.5	23.1	501864-3091	30						
QTY OF Ground Terminal							F	E	D	C	B	A	EMBOSSSED TAPE PKG.	極数 CIRCUIT
ORDER No. オーダー番号														

CONNECTOR SERIES No. 501864-xx31

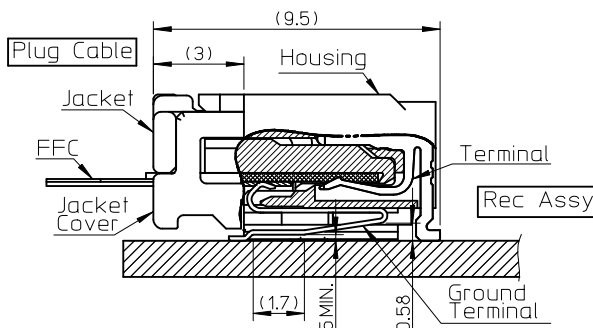
REVISED EC NO: J2010-0779 DRWN: NISHI 2009/10/19 CHKD: MATSUURA 2009/10/19 APPR: MORIKAWA 2009/10/19	GENERAL TOLERANCES (UNLESS SPECIFIED)		DIMENSION STYLE MM ONLY		SCALE //	DESIGN UNITS METRIC	THIRD ANGLE PROJECTION	
	10 UNDER	± 0.2	DRAWN BY H. IJIMA	DATE 07/12/25	TITLE 0.5 FFC TO BOARD CONN REC. HSG ASSY(RA)			
	10 OVER 30 UNDER	± 0.25	CHECKED BY K. MORIKAWA	DATE 07/12/25	MOLEX INCORPORATED			
	30 OVER	± 0.3	APPROVED BY H. HIRATA	DATE 07/12/25	DOCUMENT NO. SD-501864-008			
REV	DESCRIPTION	ANGULAR ± 1 °	DRAFT WHERE APPLICABLE MUST REMAIN WITHIN DIMENSIONS		MATERIAL NO. SEE CHART		SHEET NO. 1 OF 2	



△ ジャケット
JACKET



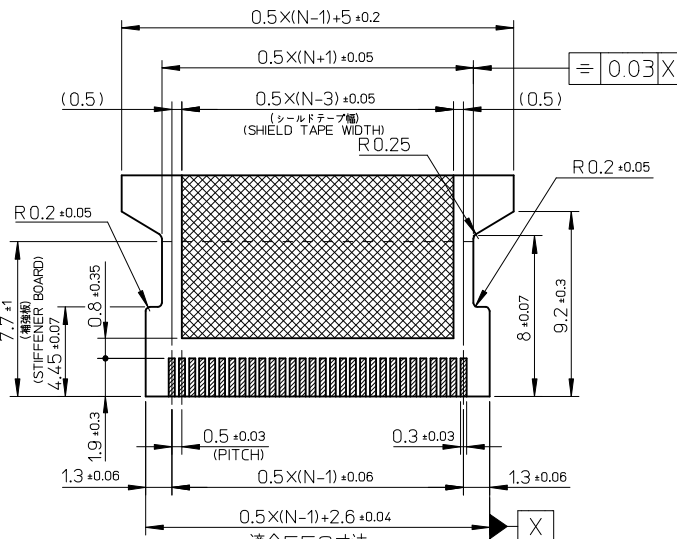
△ ジャケットカバー
JACKET COVER



嵌合断面図
MATED CONNECTOR SECTION

注 記
NOTE

1. 使用材料 MATERIAL
 - ハウジング HOUSING : 液晶ポリマー (LCP)・ガラス充填, UL94V-0 色:黒色
LIQUID CRYSTAL POLYMER(LCP) GLASS FILLED,UL94V-0 COLOR:BLACK
 - ターミナル TERMINAL : 焼青銅(τ=0.18)
PHOSPHOR BRONZE(τ=0.18)
 - メッキ仕様 PLATING
 - 接点部: 金メッキ 0.1マイクロメートル以上
CONTACT AREA: GOLD 0.1 MICROMETER MINIMUM
 - 半田付け部: 金メッキ 0.05マイクロメートル以上
SOLDER TAIL AREA: GOLD 0.05 MICROMETER MINIMUM
 - 下地メッキ: ニッケルメッキ 1.0マイクロメートル以上
UNDER PLATING: NICKEL 1.0 MICROMETER MINIMUM
 - 金具 FITTING NAIL : 焼青銅(τ=0.25)
PHOSPHOR BRONZE(τ=0.25)
 - 錫メッキ 1.0マイクロメートル以上
TIN 1.0MICROMETER MINIMUM
 - 下地メッキ: ニッケルメッキ 1.0マイクロメートル以上
UNDER PLATING: NICKEL 1.0 MICROMETER MINIMUM
 - グラウンド端子 GROUND TERMINAL : 焼青銅(τ=0.15)
PHOSPHOR BRONZE(τ=0.15)
 - 錫メッキ 1.0マイクロメートル以上
TIN 1.0MICROMETER MINIMUM
 - 下地メッキ: ニッケルメッキ 1.0マイクロメートル以上
UNDER PLATING: NICKEL 1.0 MICROMETER MINIMUM
- △ N=偶数に適用 (N:極数)
APPLY FOR N-EVEN(IN:CIRCUIT)
- △ 3 パターン剥離止め用金具
FITTING NAIL FOR PREVENTION OF PEELING OF P.C.B PATTERN.
- △ 4 適合ジャケット: SD-501783-**09
製品詳細寸法はSD-501783-004を参照下さい。
APPLICABLE JACKET:SD-501783-**09.
RE DETAILED DIMENSION.SEE SD-501783-004.
- △ 5 適合ジャケットカバー: SD-501784-**08
製品詳細寸法はSD-501784-005を参照下さい。
APPLICABLE JACKET:SD-501784-**08.
RE DETAILED DIMENSION.SEE SD-501784-005.
6. ELV及びRoHS適合品
ELV AND RoHS COMPLIANT



適合FFC寸法
RECOMMENDED DIMENSION

(仕上がり厚さ: コネクタ接点部0.3±0.03)
: シールド部0.44±0.05)

(THICKNESS :CONTACT AREA 0.3±0.03)
SHIELD AREA 0.44±0.05)

REVISED EC NO: J2010-0779 DRWN: NISHI 2009/10/19 CHKD: MATSUURA 2009/10/19 APPR: MORIKAWA 2009/10/19	DESCRIPTION	GENERAL TOLERANCES (UNLESS SPECIFIED)		DIMENSION STYLE MM ONLY		SCALE	DESIGN UNITS	THIRD ANGLE PROJECTION				
		10 UNDER	± 0.2	DRAWN BY	DATE	TITLE	0.5 FFC TO BOARD CONN REC. HSG ASSY(RA)					
		10 OVER 30 UNDER	± 0.25	H. IJIMA	07/12/25							
		30 OVER	± 0.3	CHECKED BY	DATE							
REV B	DESCRIPTION	ANGULAR ±1 °		APPROVED BY		MATERIAL NO.	DOCUMENT NO.	MOLEX INCORPORATED				
		DRAFT WHERE APPLICABLE MUST REMAIN WITHIN DIMENSIONS		H. HIRATA	07/12/25					SEE SHEET 1	SD-501864-008	SHEET NO. 2 OF 2
				SIZE A3						THIS DRAWING CONTAINS INFORMATION THAT IS PROPRIETARY TO MOLEX INCORPORATED AND SHOULD NOT BE USED WITHOUT WRITTEN PERMISSION		

F

E

D

C

B

A

F

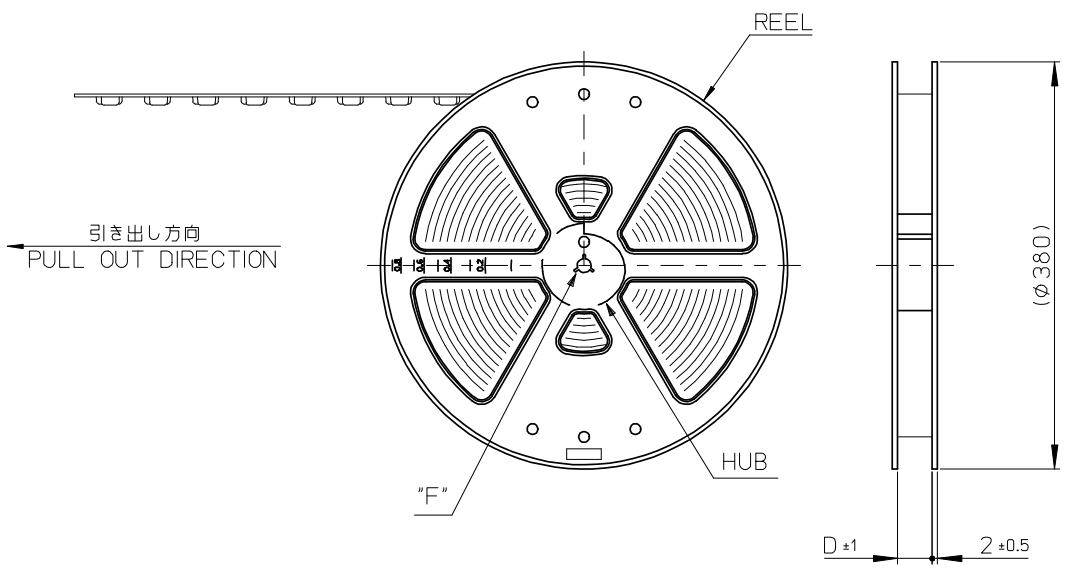
E

D

C

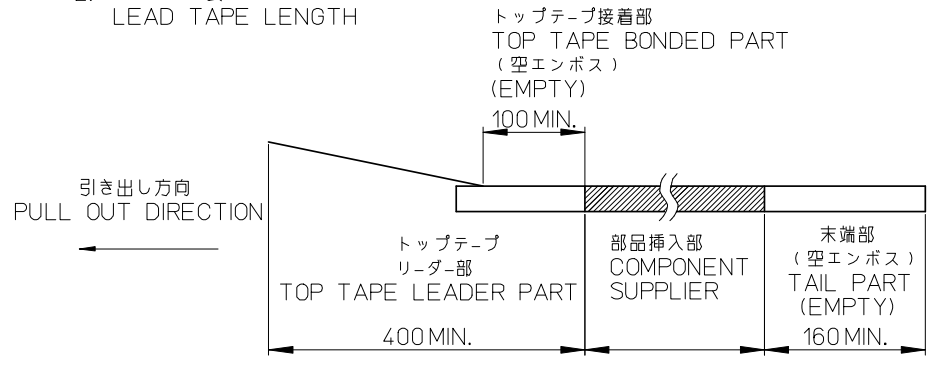
B

A

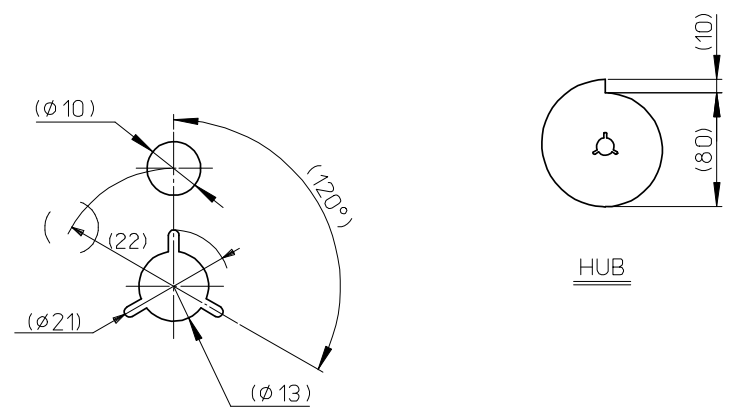


NOTES

1. 梱包数量：900 個ノリール
NUMBER OF CONNECTORS:900 PCS/REEL
2. リードテープ長さ
LEAD TAPE LENGTH



3. 製品詳細寸法については図面 SD-501864-008を参照下さい。
RE DETAILED DIMENSION, SEE SD-501864-008.
4. 材料(MATERIAL)
キャリアテープ(CARRIER TAPE)：ポリスチレン(POLYSTYRENE)
トップテープ(TOP TAPE)：PET, PE, PE
リール(REEL)：ポリスチレン(POLYSTYRENE)
5. ELV及びRoHS適合品
ELV AND RoHS COMPLIANT

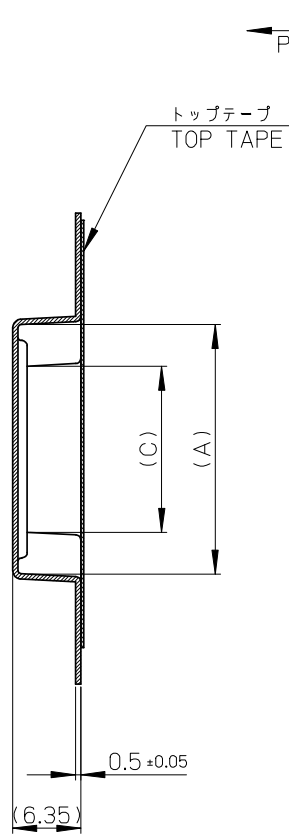


DETAIL "F"

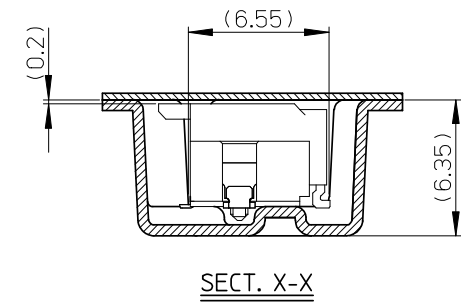
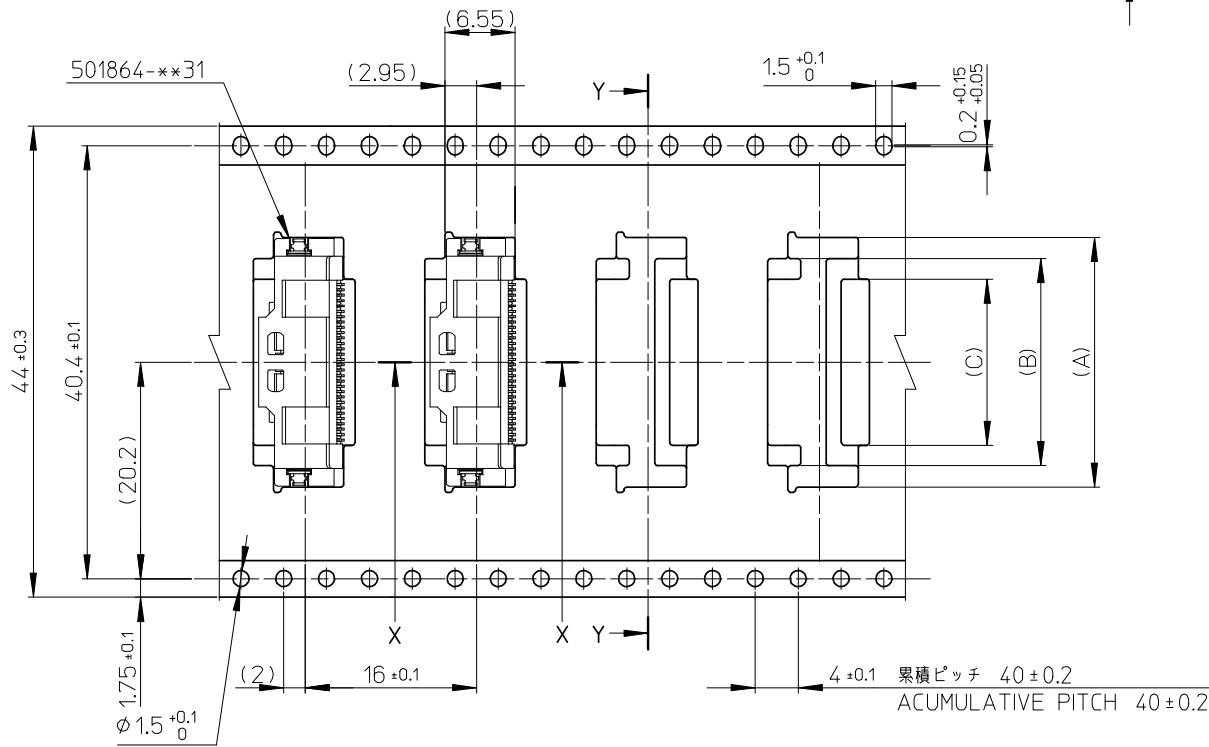
HUB

501864-**91 MODEL NO.

RELEASED EC NO: J2008-2552 DRW:KSETO 2007/12/25 CHK:KMORIKAWA 2007/12/25 APPR:KMORIKAWA 2007/12/26	GENERAL TOLERANCES (UNLESS SPECIFIED)		DIMENSION STYLE MM ONLY		SCALE ---	DESIGN UNITS METRIC	THIRD ANGLE PROJECTION	
	10 UNDER	±0.2	DRAWN BY H. IJIMA	DATE 07/12/25	TITLE EMBSTP PKG FOR 0.5 FFC TO BOARD CONN RA TYPE			
	10 OVER 30 UNDER	±0.25	CHECKED BY K. MORIKAWA	DATE 07/12/25				
	30 OVER	±0.3	APPROVED BY H. HIRATA	DATE 07/12/25	MOLEX INCORPORATED			
	ANGULAR	±1	MATERIAL NO. 501864-**91					
DRAFT WHERE APPLICABLE MUST REMAIN WITHIN DIMENSIONS		SIZE A3	THIS DRAWING CONTAINS INFORMATION THAT IS PROPRIETARY TO MOLEX INCORPORATED AND SHOULD NOT BE USED WITHOUT WRITTEN PERMISSION					



引き出し方向
PULL OUT DIRECTION



44mm幅キャリアテープ
44mm WIDTH CARRIER TAPE

44	45.4	15.6	19.3	23.3	501864-3091	30
キャリアテープ幅 CARRIER TAPE WIDTH	D	C	B	A	製品番号 MATERIAL NO.	極数 CKT

SEE SHEET 1 OF 2 EC NO: J2008-2552 DRWN:KSETO 2007/12/25 CH'KD:KMORIKAWA 2007/12/25 APPR:KMORIKAWA 2007/12/26	GENERAL TOLERANCES (UNLESS SPECIFIED)		DIMENSION STYLE MM ONLY		SCALE ---	DESIGN UNITS METRIC	THIRD ANGLE PROJECTION
	10 UNDER	±0.2	DRAWN BY	DATE	TITLE		
	10 OVER 30 UNDER	±0.25	K. MORIKAWA	07/12/25	EMBSTP PKG FOR 0.5 FFC TO BOARD CONN RA TYPE		
	30 OVER	±0.3	APPROVED BY	DATE	MOLEX INCORPORATED		
	ANGULAR	±1	H. HIRATA	07/12/25	MATERIAL NO.	DOCUMENT NO.	SHEET NO.
DRAFT WHERE APPLICABLE MUST REMAIN WITHIN DIMENSIONS		SIZE A3		THIS DRAWING CONTAINS INFORMATION THAT IS PROPRIETARY TO MOLEX INCORPORATED AND SHOULD NOT BE USED WITHOUT WRITTEN PERMISSION			2 OF 2