

Customer Information Sheet

DRAWING No.: M30-1060046

SHEET 2 OF 2

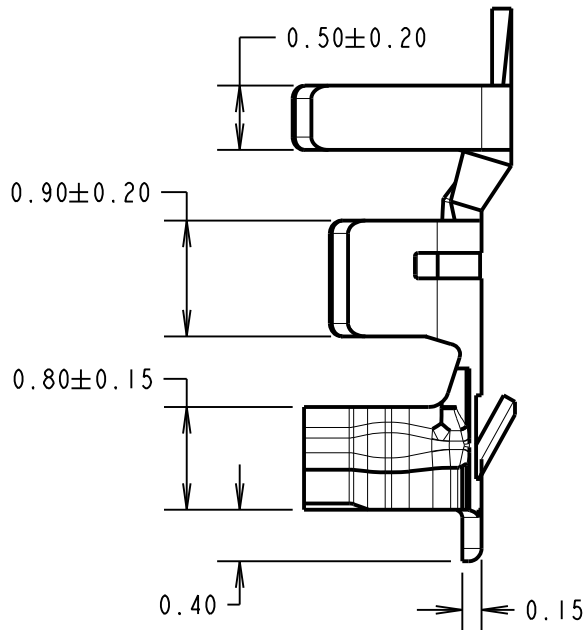
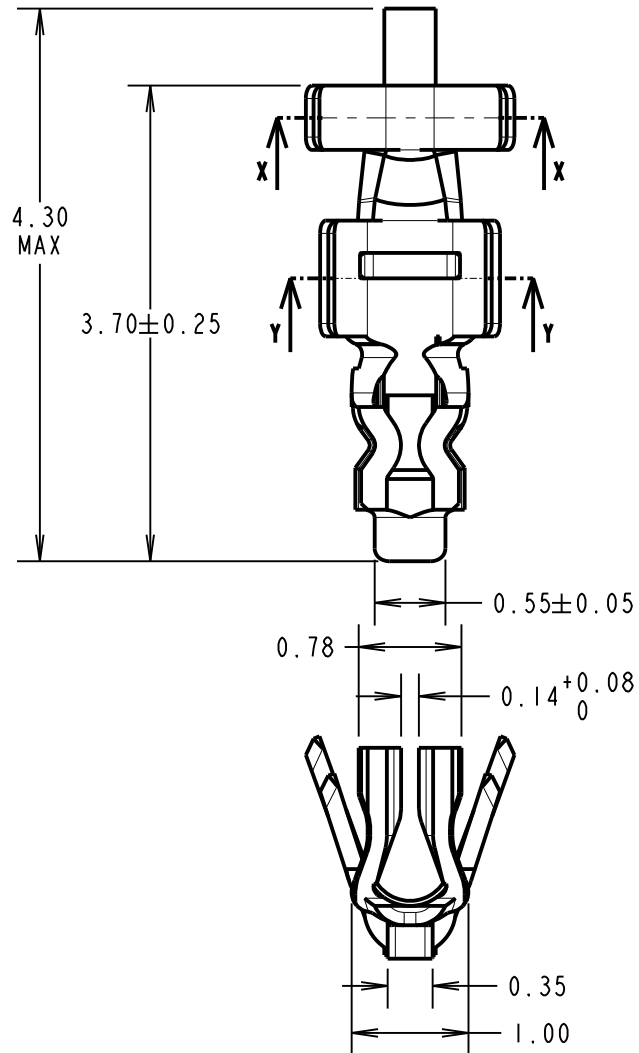
IF IN DOUBT - ASK

©

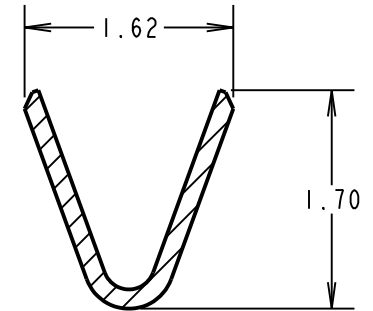
NOT TO SCALE

THIRD ANGLE PROJECTION

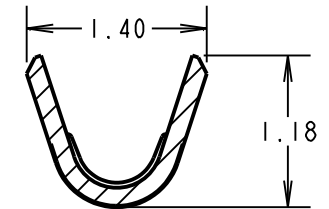
ALL DIMENSIONS IN mm



SECTION TOLERANCES ±0.25



SECTION X-X



SECTION Y-Y

NOTES:

1. CABLE SIZES 26,28 AND 30AWG CAN BE USED WITH THIS CRIMP CONTACT. INSULATION DIAMETER TO BE $\varnothing 0.65$ TO $\varnothing 1.00$ mm.
2. CABLE TO BE STRIPPED BY A LENGTH OF 1.2 TO 1.9mm.
3. FOR USE IN CRIMP HOUSING M30-110XX00. ALL RELEVANT SPECIFICATIONS ARE QUOTED ON THIS DRAWING.
4. SUPPLIED IN QUANTITIES OF 100 IN BAGS.

SB	2	30.04.15	12877
NAME	ISS.	DATE	C/NOTE
APPROVED:		S.BENNETT	
CHECKED:		M.PLESTED	
DRAWN:		S.BENNETT	
CUSTOMER REF.:			
ASSEMBLY DRG:			

HARWIN

www.harwin.com
technical@harwin.com

THIS DRAWING AND ANY INFORMATION OR DESCRIPTIVE MATTER SET OUT HEREON ARE CONFIDENTIAL AND COPYRIGHT PROPERTY OF THE HARWIN GROUP AND MUST NOT BE DISCLOSED, LOANED, COPIED OR USED FOR MANUFACTURING, TENDERING OR FOR ANY OTHER PURPOSE WITHOUT THEIR WRITTEN PERMISSION.

TOLERANCES

X. = ±1mm
X.X = ±0.50mm
X.XX = ±0.10mm
X.XXX = ±0.01mm
ANGLES = ±5°
UNLESS STATED

MATERIAL:

PHOSPHOR BRONZE

FINISH: 100% TIN

S/AREA: mm²

TITLE:

1.25mm FEMALE CRIMP TERMINAL (LOOSE)

DRAWING NUMBER:

M30-1060046

SHT
2 OF 2