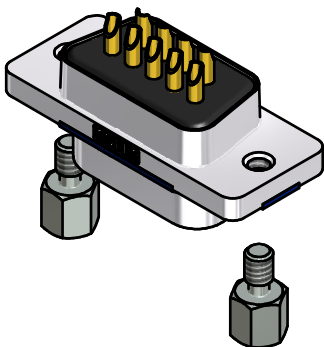
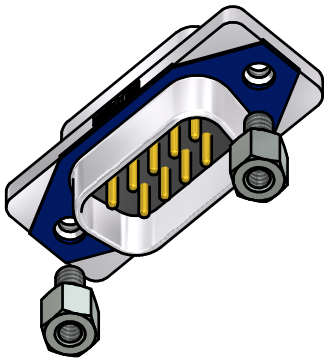
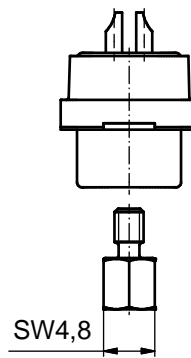
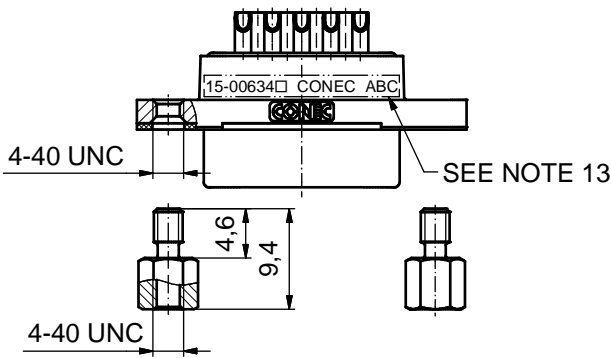
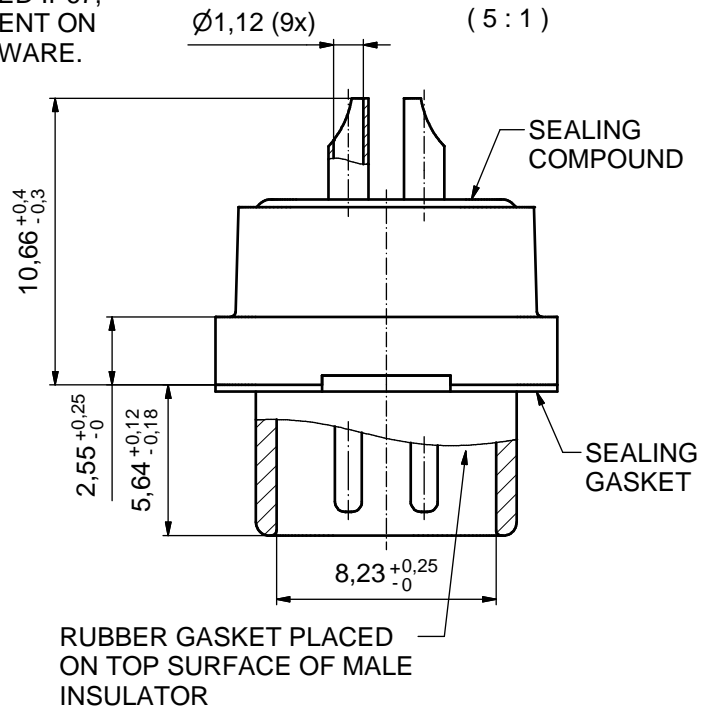
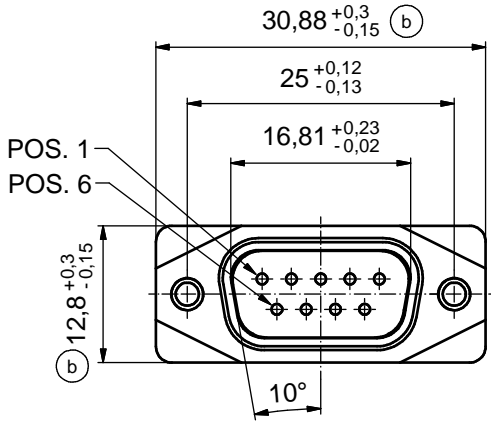


CUSTOMER IS RESPONSIBLE FOR SEALING THE MOUNTING HOLES.  
 THE OTHER PARTS OF THE CONNECTOR ARE CONSIDERED IP67,  
 BUT THE OVERALL SEALING EFFECTIVENESS IS DEPENDENT ON  
 THE CUSTOMER SEALING THE MOUNTING HOLES / HARDWARE.



RoHS compliant

(c) NOTES:

1. RECOMMENDED SOLDER INSTRUCTION SEE SHEET 2
2. IP RATING: IP 67
3. SEALED TO WITHSTAND PRESSURE UP TO 1,45 PSI FOR 30 MINUTES AFTER SOLDERING
4. METALSHELL: ZINC DIE CAST; min. 50µin NICKEL PLATING over COPPER
5. INSULATORS: PBT GF UL 94 V-0; BLACK
6. SEALING GASKET: SILICONE; BLUE
7. RUBBER GASKET: TPE; BLACK
8. SEALING COMPOUND: EPOXY RESIN UL 94 V-0; BLACK
9. CONTACTS: COPPER ALLOY; PLATING (SEE PART-NO.):  
 PLEASE ADD 1 for 30µin HARD GOLD over min. 50µin NICKEL  
 PLEASE ADD 3 for GOLD FLASH over NICKEL  
 SOLDER CUP ACCEPTS CABLE AWG 20
10. HEXLOCKING SCREWS: STAINLESS STEEL
11. RECOMMENDED PANEL CUT-OUT ON SHEET 2
12. RECOMMENDED TORQUE FOR MOUNTING SCREW  
 35Ncm (3.1 in.LB) / max.67Ncm (6 in.LB)
13. CONNECTOR IS PART MARKED:  15-00634  CONEC ABC (see note 9)

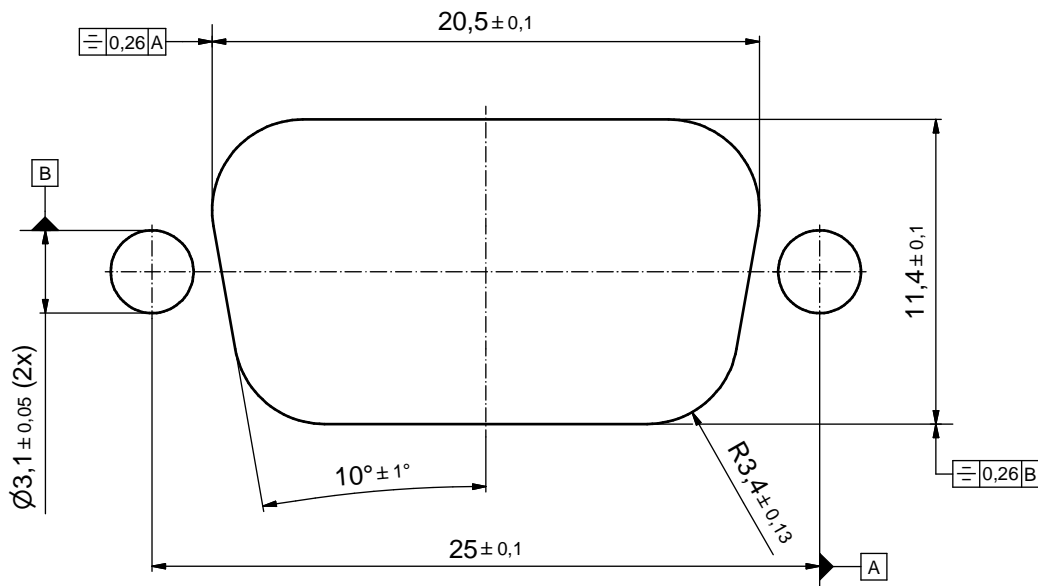
THIS DRAWING MAY NOT BE COPIED OR REPRODUCED IN ANY WAY, AND MAY NOT BE PASSED ON TO A THIRD PARTY WITHOUT WRITTEN PERMISSION. OWNERSHIP AND COPYRIGHT OF CONEC GmbH				tolerance		dim. in mm	scale: 2:1 (5:1)	
				date			material: SEE NOTES	
DO NOT ALTER CAD DRAWING BY HAND				drawn	10.09.14	Lehmenkühler		title: <b>D-SUB MALE</b> 9pos. SOLDER CUP with open 4-40 UNC thread
				appd.	26.01.15	Fischer		
1 x c	Ä5827	25.09.15	Unkrüer	d-old	dwg no:		DIN-A3 sh: 1	
2 x b	Ä5800	04.09.15	M.H.	15K1A1539				
a	Original			<b>CONEC</b>		part no: 15-00634 <input type="checkbox"/> (see note 9)		
rev.	description	date	name					

Ⓒ

## Solder Instruction

1. Cable should be prepared for soldering. The cable/wires must be pretinned.
2. Insert cable/wire into solder cup.
3. Operate the soldering iron at 350°C, 50 Watt max. and use a pencil tip.
4. Apply solder to the solder tip of the soldering iron.
5. Put tip to wire in solder cup.
6. After 1 second bring in solder.
7. Heat for 3 seconds longer. Do not heat contact more than 4 seconds in total.
8. Remove soldering iron.
9. Wait until solder gets rigid again.
10. Do not solder adjacent contacts consecutively, alternate position within the connector to minimize heat build up.

## RECOMMENDED PANEL CUT-OUT



THIS DRAWING MAY NOT BE COPIED OR REPRODUCED IN ANY WAY, AND MAY NOT BE PASSED ON TO A THIRD PARTY WITHOUT WRITTEN PERMISSION. OWNERSHIP AND COPYRIGHT OF CONEC GmbH DO NOT ALTER CAD DRAWING BY HAND				tolerance		scale: 5:1
				date	name	material: SEE SHEET 1
				drawn	10.09.14	Lehmenkühler
				appd.	26.01.15	Fischer
				norm		
			d-old			
1 x c	Ä5827	25.09.15	Unkrüer	<b>RECOMMENDED PANEL CUT-OUT</b> D-SUB MALE 9pos. SOLDER CUP with open 4-40 UNC thread		
a	Original					
						dwg no:
rev.	description	date				name
						part no: SEE SHEET 1