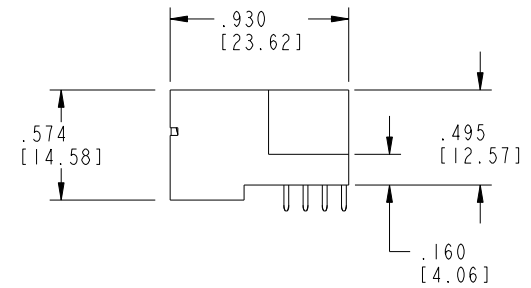
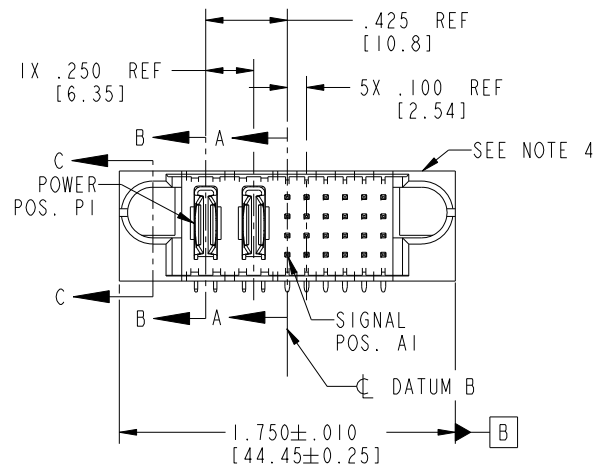
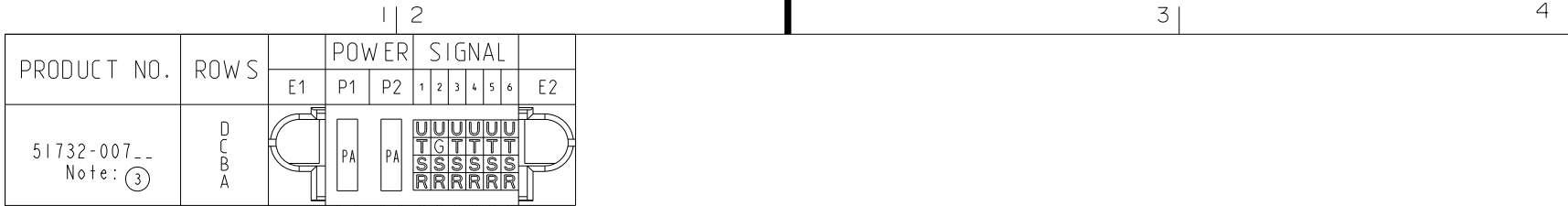


Tous droits strictement réservés. Reproduction ou communication a des tiers interdite sous quelque forme que ce soit sans autorisation écrite du propriétaire. Propriété de c FCI. Droits de reproduction FCI.



All rights strictly reserved. Reproduction or issue to third parties in any form whatever is not permitted without written authority from the proprietor. Property of FCI. Copyright FCI.



CODE	DIM "M" MATING LENGTH	CONTACT TYPE
G	.220 [5.59]	SIGNAL
R	.270 [6.86]	SIGNAL
S	.270 [6.86]	SIGNAL
T	.270 [6.86]	SIGNAL
U	.270 [6.86]	SIGNAL
PA	N/A [N/A]	POWER

mat'l code				SEE NOTE 2		tolerances unless otherwise specified		CUSTOMER		FCI www.fciconnect.com	
ltr	ecn no.	dr	date	linear	.XX±.01/0.X±0.3	projection		title 2P + 24S RIGHT ANGLE SOLDER HEADER			
A	V12147	JRW	08/09/01	angles	.XXX±.005/0.XX±0.13	INCH/MM		product family PwrBlade		code 213	
B	V21294	TAB	09/10/02		.XXX±.0020/0.XXX±0.051	scale 1:1		size dwg no		sheet 1 of 4	
C	DG05-0170	SJ	06/19/05	dr	0° ± 2°			A 51732-007			
D	DG05-0554	GuoJM	12/19/05	engr							
E	DG08-0272	W D	09/27/08	chr							
				appd							
sheet index		revision sheet		E	E	E	E				
		1 2		3	4						

Pro/E

PDM: Rev: E

STATUS: Released

Printed: Dec 20, 2010

cage code 28556

Tous droits strictement réservés. Reproduction ou communication a des tiers interdite sous quelque forme que ce soit sans autorisation écrite du propriétaire. Propriété de c FCI. Droits de reproduction FCI.

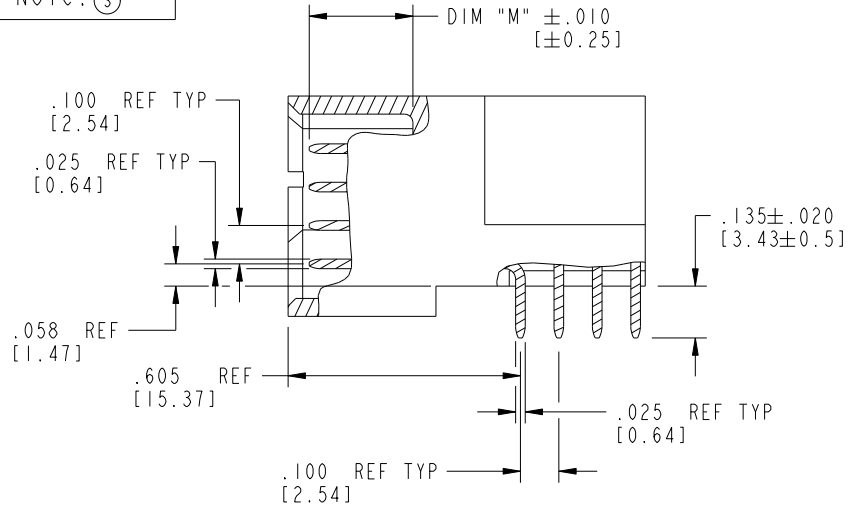
All rights strictly reserved. Reproduction or issue to third parties in any form whatever is not permitted without written authority from the proprietor. Property of FCI. Copyright FCI.



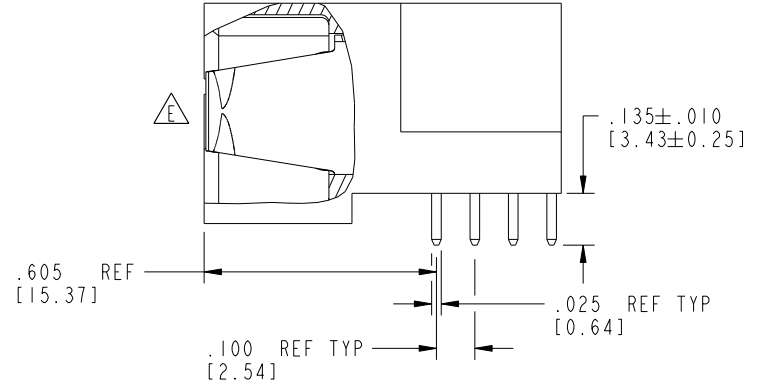
PRODUCT NUMBER

51732-007__

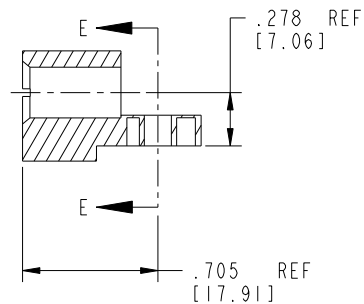
Note: ③



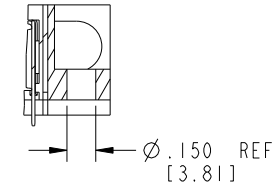
BROKEN-OUT SECTION A-A
SCALE 2:1



BROKEN-OUT SECTION B-B
SCALE 2:1



SECTION C-C



PARTIAL SECTION E-E

mat'l code		SEE NOTE 2		tolerances unless otherwise specified		CUSTOMER		 www.fciconnect.com	
lir	ecn no.	dr	date	linear	.XX±.01/0.X±0.3	COPY		title	
E					.XX±.005/0.XX±0.13	projection		2P + 24S	
				angles	.XXX±.0020/0.XXX±0.051			RIGHT ANGLE SOLDER HEADER	
					0°±2°			product family	
				dr	T. BRUNGARD 09/10/02	scale		PwrBlade	
				enrg	M. MOSTOLLER 09/10/02	1:1		code	
				chr	M. MOSTOLLER 09/10/02			213	
				appd	M. MOSTOLLER 09/10/02			sheet	
sheet index		revision sheet						A 51732-007	
								2 of 4	

cage code 22536

Pro/E

PDM: Rev: E

STATUS: Released

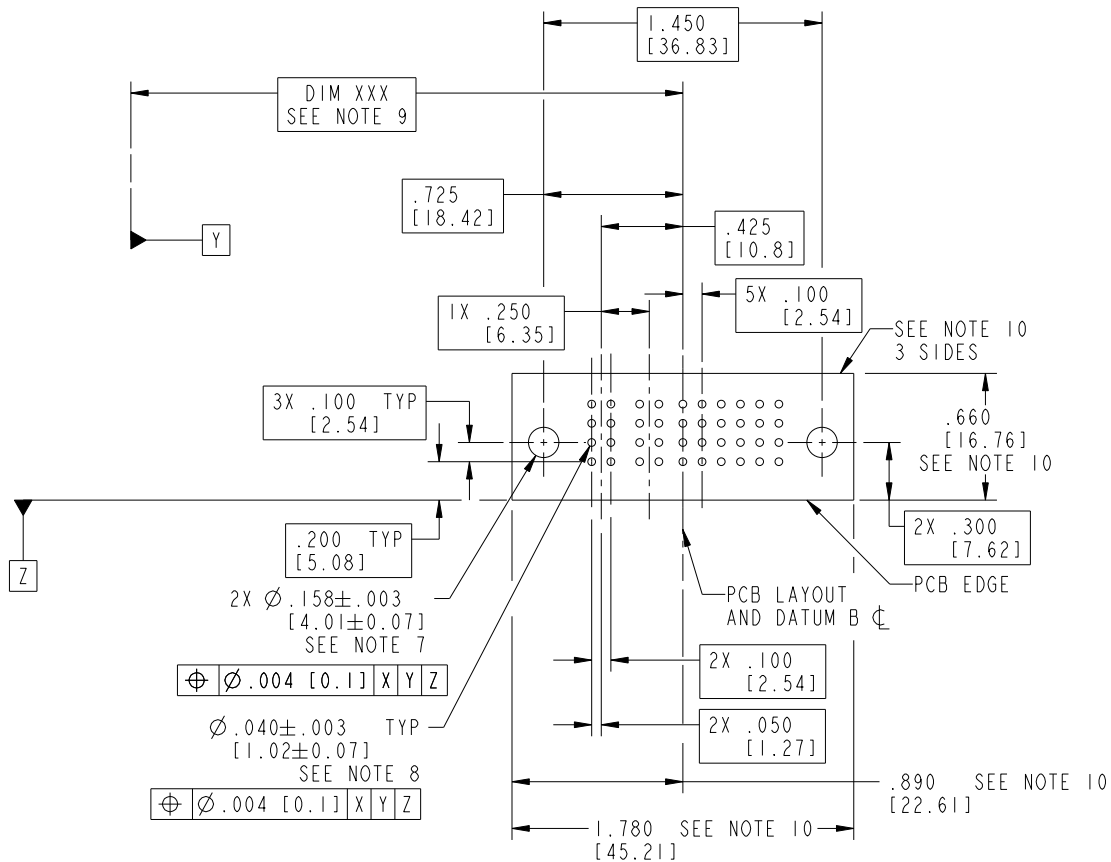
Printed: Dec 20, 2010

Tous droits strictement réservés. Reproduction ou communication a des tiers interdite sous quelque forme que ce soit sans autorisation écrite du propriétaire. Propriété de c FCI. Droits de reproduction FCI.



All rights strictly reserved. Reproduction or issue to third parties in any form whatever is not permitted without written authority from the proprietor. Property of FCI. Copyright FCI.

PRODUCT NUMBER
51732-007--
Note: ③



RECOMMENDED PCB LAYOUT

mat'l code		SEE NOTE 2		tolerances unless otherwise specified		CUSTOMER		 www.fciconnect.com	
lfr	ecn no.	dr	date	linear	.XX±.01/0.X±0.3	COPY		title	
E				angles	.XXX±.005/0.XX±0.13	projection		2P + 24S	
					.XXX±.0020/0.XXX±0.051			RIGHT ANGLE SOLDER HEADER	
					0°±2°	INCH/MM		product family	
				dr	T. BRUNGARD 09/10/02	scale		PwrBlade	
				enrg	M. MOSTOLLER 09/10/02	1:1		code	
				chr	M. MOSTOLLER 09/10/02			size	
				appd	M. MOSTOLLER 09/10/02			dwg no	
sheet index		revision sheet						A 51732-007	
								213	
								3 of 4	

cage code 22526

Pro/E

PDM: Rev: E

STATUS: Released

Printed: Dec 20, 2010

PRODUCT NUMBER
 51732-007--
 Note: ③

NOTES:

1. DIMENSIONS AND TOLERANCES ARE IN ACCORDANCE WITH ASME Y14.5M, 1994 UNLESS OTHERWISE SPECIFIED.

CONNECTOR NOTES:

2. HOUSING MATERIAL: UL 94 V-0 GLASS FILLED HIGH-TEMP THERMOPLASTIC
 POWER CONTACT MATERIAL: COPPER ALLOY
 SIGNAL PIN MATERIAL: COPPER ALLOY

⚠ 3. SEE ITEM 1 & 2 IN PRINT 10064183 FOR PLATING SPEC OF 51732-007 AND 51732-007LF RESPECTIVELY.

4. MANUFACTURER'S NAME, P/N, AND DATE CODE TO APPEAR ON THIS SURFACE.

5. PRODUCT SPECIFICATION GS-12-149.
 APPLICATION SPECIFICATION BUS-20-067.

PCB NOTES:

6. ALL HOLE DIAMETERS ARE FINISHED HOLE SIZE.

7. MOUNTING HOLES, WHERE APPLICABLE, ARE UNPLATED.

8. $\varnothing .0453 \pm .0010$ [1.151 \pm 0.025] DRILLED HOLES PLATED WITH
 .0003 [0.008] MIN SnPb OVER .001 [0.03]
 TO .003 [0.08] Cu PLATING TO ACHIEVE
 $\varnothing .040 \pm .003$ [1.02 \pm .07] HOLE.

9. "DIM XXX" TO BE DETERMINED BY THE CUSTOMER.

10. CONNECTOR KEEP-OUT ZONE.

11. ⚠ SYMBOL WILL BE NEXT TO ANY DIMENSION, VIEW, OR NOTE WHICH HAS BEEN MODIFIED WITH THE CURRENT DRAWING REVISION.

Tous droits strictement réservés. Reproduction ou communication a des tiers interdite sous quelque forme que ce soit sans autorisation écrite du propriétaire. Propriété de c FCI. Droits de reproduction FCI.



All rights strictly reserved. Reproduction or issue to third parties in any form whatever is not permitted without written authority from the proprietor. Property of FCI. Copyright FCI.

A

A

B

B

mat'l code		SEE NOTE 2		tolerances unless otherwise specified		CUSTOMER		FCI	
ltr	ecn no.	dr	date	linear	.XX±.01/0.X±0.3	COPY		www.fciconnect.com	
E				projection	.XXX±.005/0.XX±0.13	⊕		title	
				angles	.XXX±.002/0.XXX±0.051	⊕		2P + 24S	
				dr	0° ± 2°	INCH/MM		RIGHT ANGLE SOLDER HEADER	
				enrg	T. BRUNGARD 09/10/02	scale		product family	
				chr	M. MOSTOLLER 09/10/02	1:1		PwrBlade	
				appd	M. MOSTOLLER 09/10/02	A		code	
sheet index		revision sheet				size		213	
						dwg no		sheet	
						A 51732-007		4 of 4	