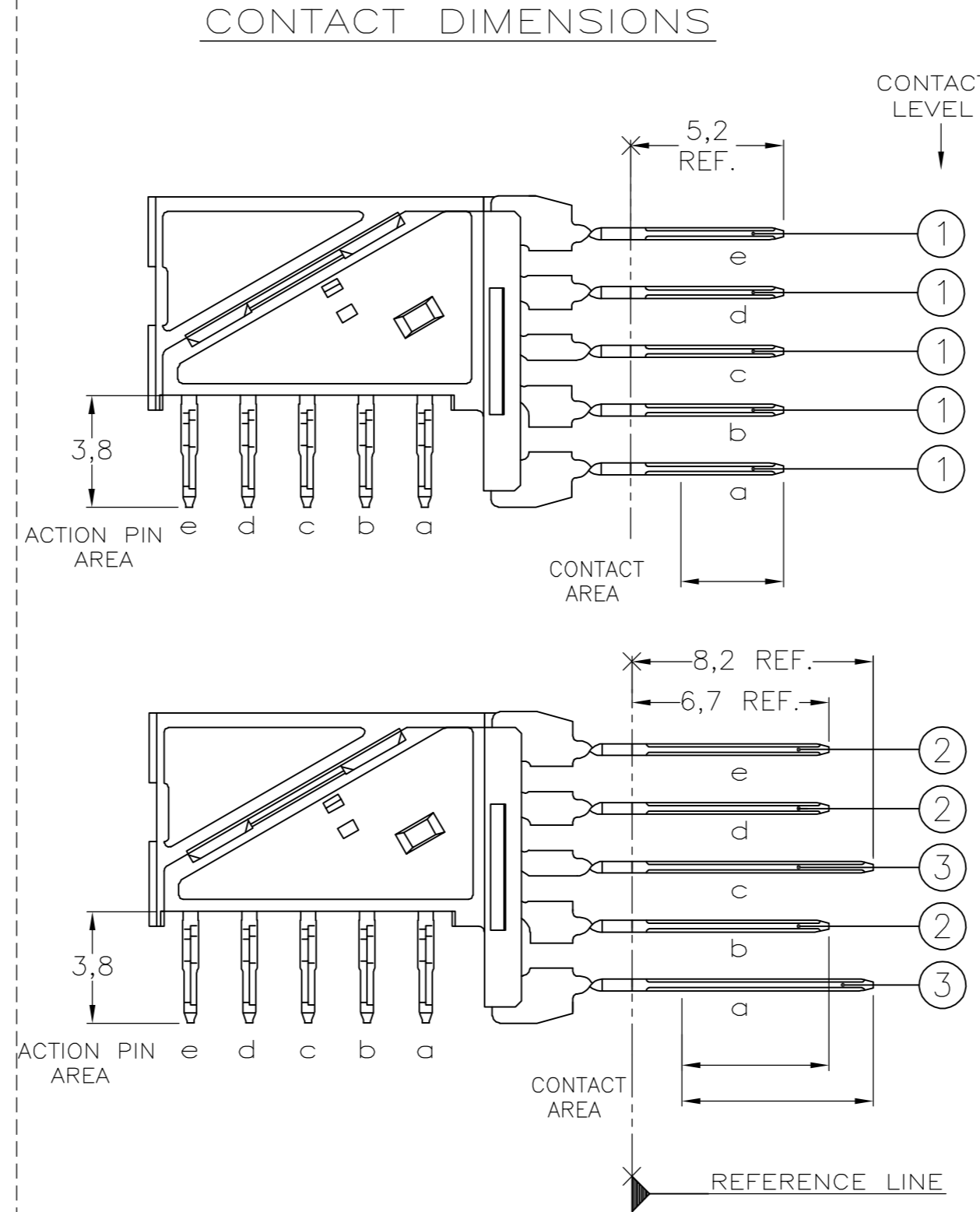
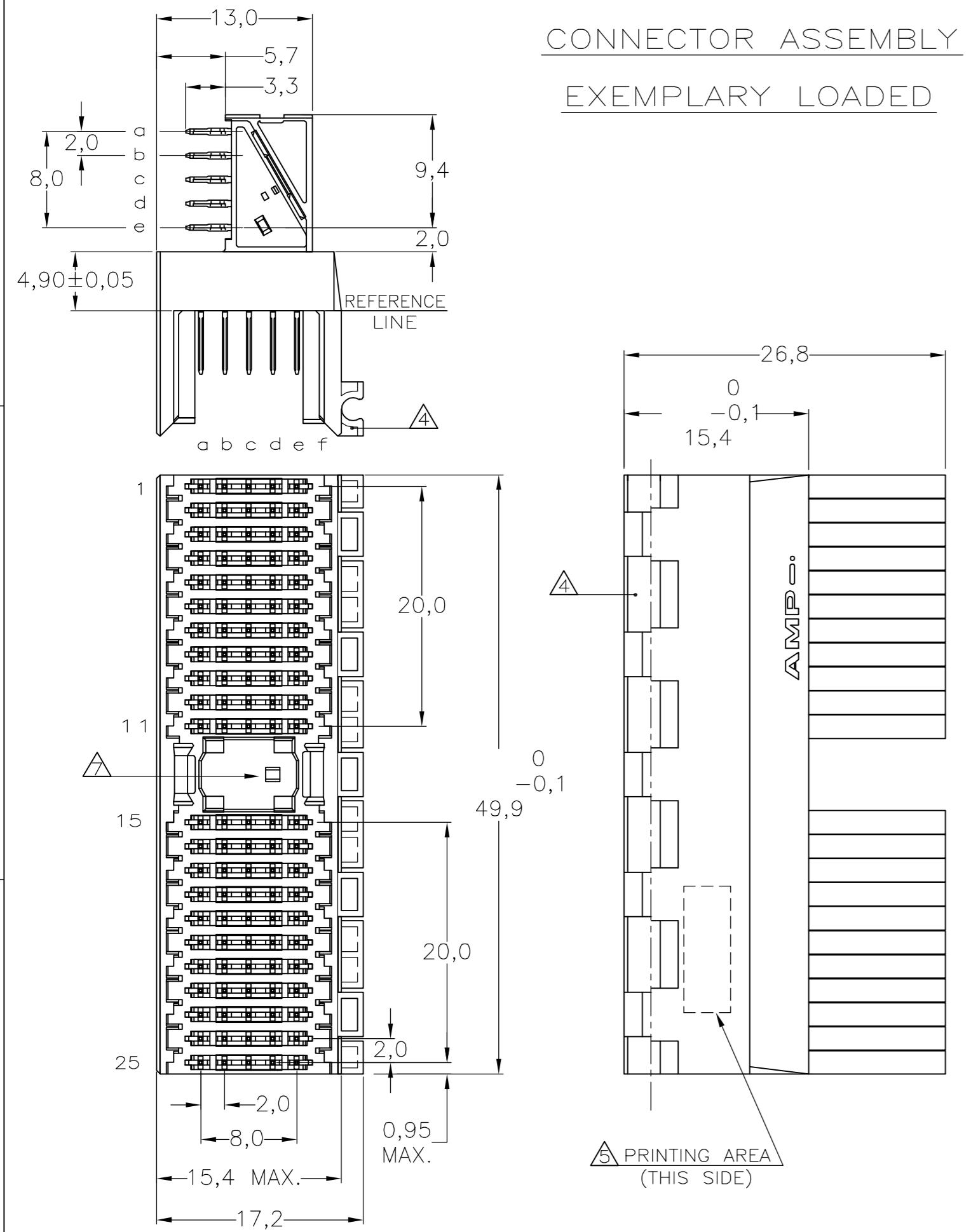
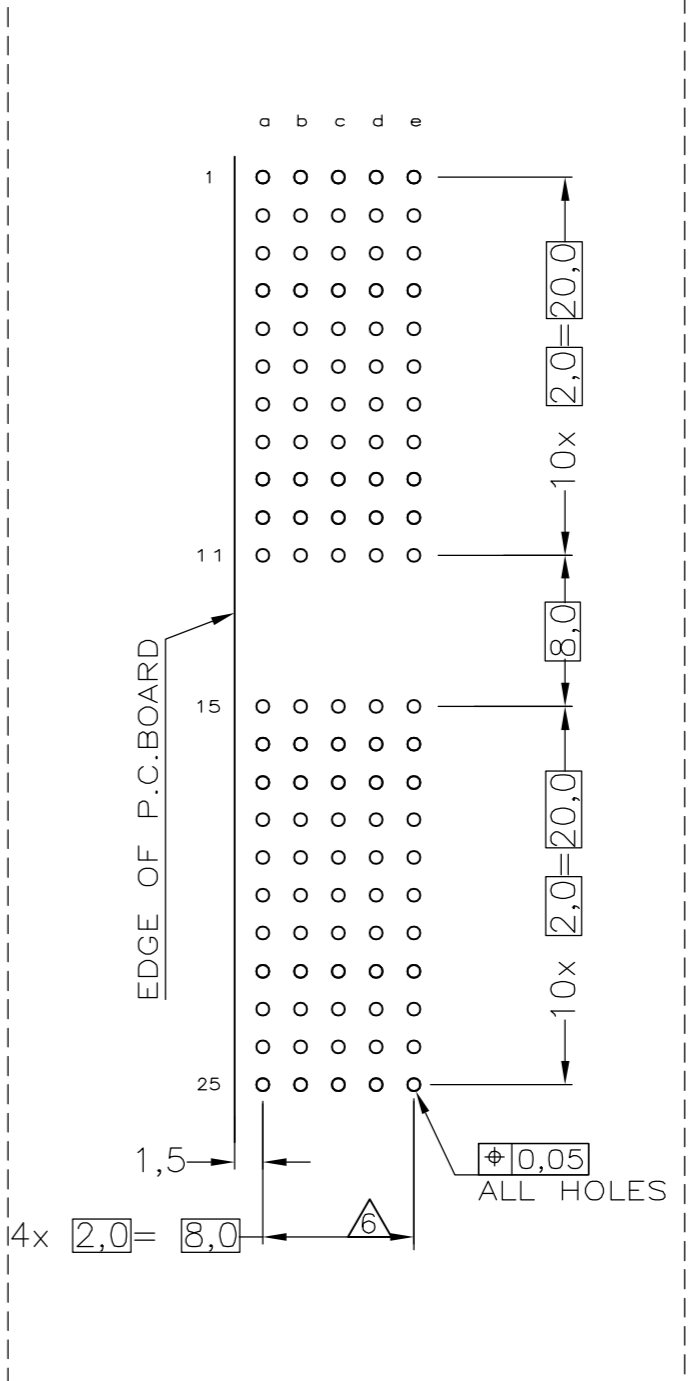


THIS DRAWING IS UNPUBLISHED. RELEASED FOR PUBLICATION
 © COPYRIGHT BY TYCO ELECTRONICS CORPORATION. ALL RIGHTS RESERVED.

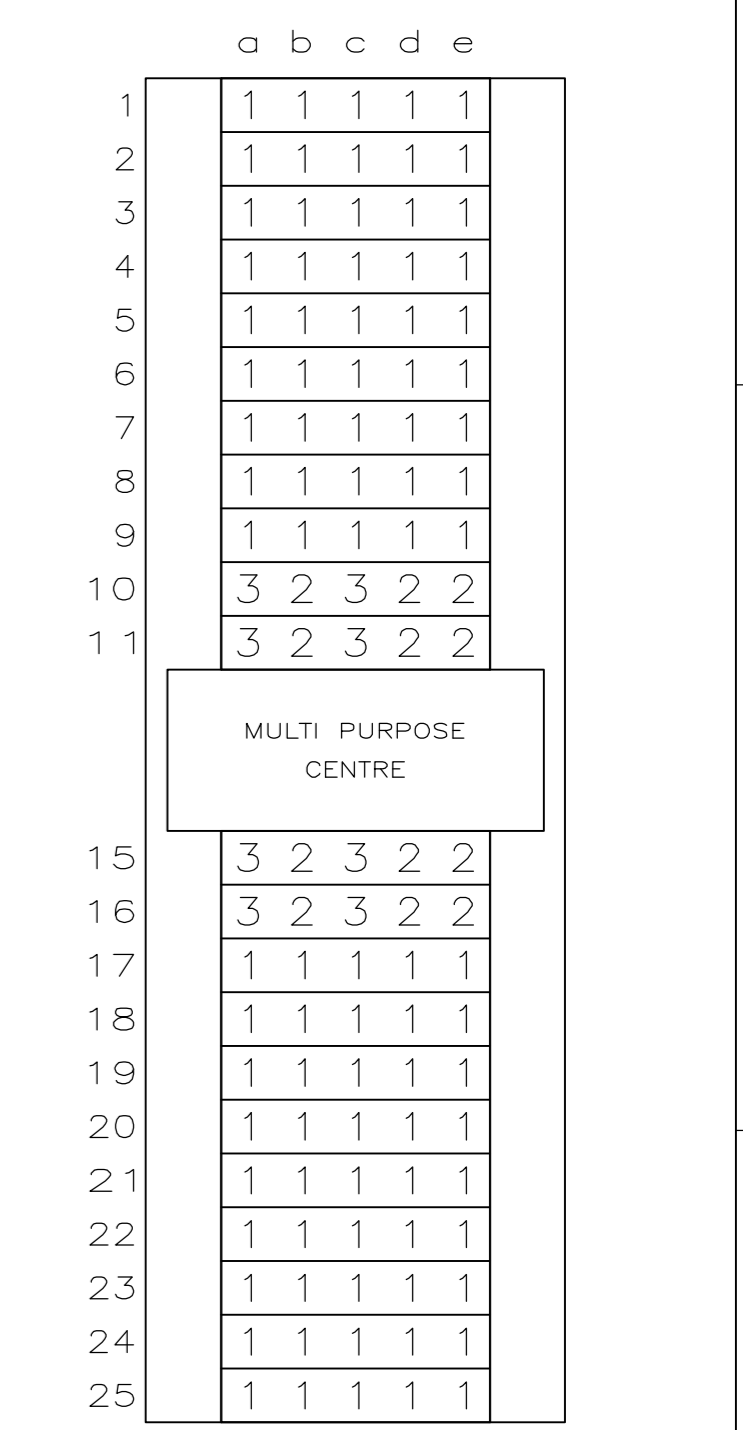
Loc	DIST	REVISIONS			
P	LTR	DESCRIPTION	DATE	DWN	APVD
C		EHC0-0195-04	06-07-04	DvdB	BM
D		EH10-0680-05	06-06-05	BSV	BM
D1		ECR-06-002635	07-02-06	BSV	BM



RECOMMENDED PCB-HOLE LAY-OUT
 COMPONENT SIDE SHOWN



CONTACT LAYOUT



P.C.B. HOLE DIM. ACTION PIN
 FOR DETAILS SEE
 APPLICATION SPECIFICATION

- NOTES:
- ① MATERIAL HOUSING : GREY GLASSFILLED POLYESTER
UL-RATING V0
 - ② CONTACT : PHOSPHORBRONZE
 - ③ GENERAL PLATING SPECIFICATION: UNDERPLATING (ENTIRE CONTACT):
1,27µm NICKEL MIN. AND ACTION PIN: 0,5µm TIN-LEAD MIN.
FOR PLATING OF MATING SURFACES SEE APPLICABLE SPECIFICATION
REFERENCE FOR EACH DASH NUMBER.
 - ④ CONFORMS TO ALL TESTING ACCORDING IEC 61076-4-101
PERFORMANCE LEVEL 2.
 - ⑤ CONNECTOR ASSEMBLY WITH LATCH HINGE FOR CABLE CONNECTOR.
 - ⑥ CONNECTOR PRINTED WITH PARTNUMBER AND DATECODE
 - ⑦ PLATED-THROUGH HOLES AT 2x2mm SQUARE GRID.
 - ⑧ AREA FOR KEYING PART (BASIC PART NUMBER 100525).

② ③	①	1-352106-1 ①
② ③	①	352106-1
CONTACT FINISH	MATERIAL	PARTNUMBER

THIS DRAWING IS A CONTROLLED DOCUMENT.		DWN L.v.d.HEIJDEN 15DEC97	Tyco Electronics Corporation s-HertogenBosch, Netherlands,	
DIMENSIONS: mm		CHK D. TRUREN 15DEC97		
TOLERANCES UNLESS OTHERWISE SPECIFIED:		APVD F.v.KONINGSBRUGGE	NAME	
0 PLC ± -	1 PLC ± -	PRODUCT SPEC	Z-PACK 2MM HM TYPE A	
2 PLC ± -	3 PLC ± -	APPLICATION SPEC	110 POS. RIGHT ANGLE MALE	
4 PLC ± -	ANGLES ± -	114-19029	CONNECTOR ASSEMBLY	
MATERIAL -	FINISH -	WEIGHT -	SIZE A2	CAGE CODE 00779
CUSTOMER DRAWING			DRAWING NO. C=352106	RESTRICTED TO -
			SCALE NTS	SHEET 1 OF 1
			REV D1	