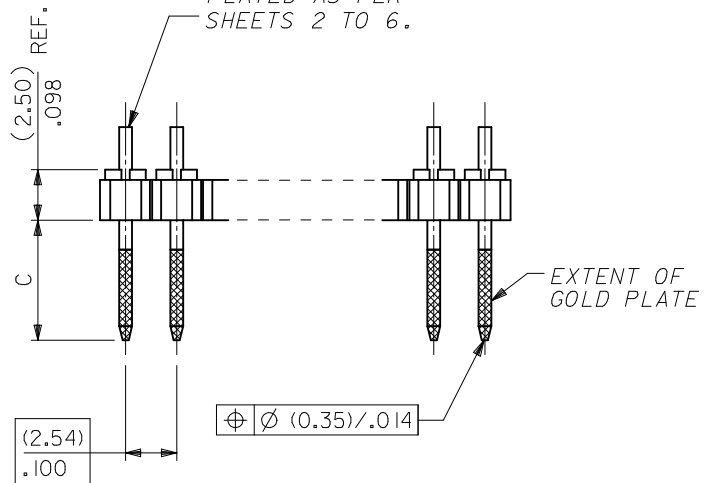
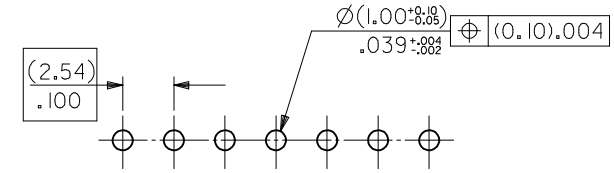
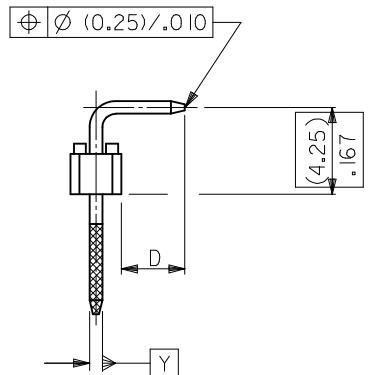


WAFER: 15% GLASS FILLED POLYESTER TO UL 94V-0. COLOUR: BLACK.

PINS: (0.635)/.025 SQ. BRASS WIRE. PLATED AS PER SHEETS 2 TO 6.



CKT SIZE	DIM. "A"	DIM. "B" (±0.20) ±.008	CKT SIZE	DIM. "A"	DIM. "B" (±0.20) ±.008
1X 1		(2.54) .100	1X21	(50.80) 2.000	(53.34) 2.100
1X 2	(2.54) .100	(5.08) .200	1X22	(53.34) 2.100	(55.88) 2.200
1X 3	(5.08) .200	(7.62) .300	1X23	(55.88) 2.200	(58.42) 2.300
1X 4	(7.62) .300	(10.16) .400	1X24	(58.42) 2.300	(60.96) 2.400
1X 5	(10.16) .400	(12.70) .500	1X25	(60.96) 2.400	(63.50) 2.500
1X 6	(12.70) .500	(15.24) .600	1X26	(63.50) 2.500	(66.04) 2.600
1X 7	(15.24) .600	(17.78) .700	1X27	(66.04) 2.600	(68.58) 2.700
1X 8	(17.78) .700	(20.32) .800	1X28	(68.58) 2.700	(71.12) 2.800
1X 9	(20.32) .800	(22.86) .900	1X29	(71.12) 2.800	(73.66) 2.900
1X10	(22.86) .900	(25.40) 1.000	1X30	(73.66) 2.900	(76.20) 3.000
1X11	(25.40) 1.000	(27.94) 1.100	1X31	(76.20) 3.000	(78.74) 3.100
1X12	(27.94) 1.100	(30.48) 1.200	1X32	(78.74) 3.100	(81.28) 3.200
1X13	(30.48) 1.200	(33.02) 1.300	1X33	(81.28) 3.200	(83.82) 3.300
1X14	(33.02) 1.300	(35.56) 1.400	1X34	(83.82) 3.300	(86.36) 3.400
1X15	(35.56) 1.400	(38.10) 1.500	1X35	(86.36) 3.400	(88.90) 3.500
1X16	(38.10) 1.500	(40.64) 1.600	1X36	(88.90) 3.500	(91.44) 3.600
1X17	(40.64) 1.600	(43.18) 1.700	1X37	(91.44) 3.600	(93.98) 3.700
1X18	(43.18) 1.700	(45.72) 1.800	1X38	(93.98) 3.700	(96.52) 3.800
1X19	(45.72) 1.800	(48.26) 1.900	1X39	(96.52) 3.800	(99.06) 3.900
1X20	(48.26) 1.900	(50.80) 2.000	1X40	(99.06) 3.900	(101.60) 4.000



RECOMMENDED PCB HOLE PATTERN

- NOTES
- PLEASE REFER TO SHT 2 FOR PLATING DETAILS.
 - PLEASE REFER TO SHT 3-7 FOR DIMENSIONS C & D.
 - RECOMMENDED PCB THICKNESS 1.60MM
 - PRODUCT SPECIFICATION: PS-99020-0001

CHANGE DOC. NO. EC NO: S2012-0965 DRW:NAT/SEE 2012/07/03 CHK:D/SKANG 2012/07/25 APPR:MLONG 2012/07/25	QUALITY SYMBOLS	GENERAL TOLERANCES (UNLESS SPECIFIED)	DIMENSION STYLE	SCALE	DESIGN UNITS	THIRD ANGLE PROJECTION
	$F_{\Delta} = 0$ $F_{\sigma} = 0$ $F_{\rho} = 0$	mm INCH 4 PLACES ± --- ± --- 3 PLACES ± --- ± --- 2 PLACES ± 0.20 ± --- 1 PLACE ± --- ± --- ANGULAR ± 3°	MM ONLY	NTS	METRIC	
		DRAFT WHERE APPLICABLE MUST REMAIN WITHIN DIMENSIONS	DRAWN BY DATE	TITLE		
			DB 1987/07/16	C-GRID III SINGLE ROW RIGHT ANGLE HEADER		
		CHECKED BY DATE	MOLEX INCORPORATED			
		DB 1987/07/16	SD-90121-001			
		APPROVED BY DATE	SHEET NO.			
		MLONG 2012/02/24	1 OF 2			
		MATERIAL NO.	THIS DRAWING CONTAINS INFORMATION THAT IS PROPRIETARY TO MOLEX INCORPORATED AND SHOULD NOT BE USED WITHOUT WRITTEN PERMISSION			
		SEE TABLE				

PLATING OPTIONS

PLATING	PLATING DESCRIPTION
A	3.00µm MIN TIN OVER 1.27MIN NICKEL OVERALL
E	0.38µm MIN GOLD IN SELECTED AREA (2 SIDES) AND 3.00µm MIN TIN IN SELECTED AREA AND 1.30µm MIN NICKEL OVERALL
F	0.76µm MIN GOLD IN SELECTED AREA (2 SIDES) AND 3.00µm MIN TIN IN SELECTED AREA AND 1.30µm MIN NICKEL OVERALL
G	0.05-0.10µm GOLD FLASH IN SELECTED AREA (2 SIDES) AND 3.00µm MIN TIN IN SELECTED AREA AND 1.30µm MIN NICKEL OVERALL

CIRCUIT SIZE	PLATING TYPE A	PLATING TYPE E	PLATING TYPE F	PLATING TYPE G
	PART NO.	PART NO.	PART NO.	PART NO.
I X 1	90121-0121	90121-0761	90121-0921	90121-1081
I X 2	-0122	-0762	-0922	-1082
I X 3	-0123	-0763	-0923	-1083
I X 4	-0124	-0764	-0924	-1084
I X 5	-0125	-0765	-0925	-1085
I X 6	-0126	-0766	-0926	-1086
I X 7	-0127	-0767	-0927	-1087
I X 8	-0128	-0768	-0928	-1088
I X 9	-0129	-0769	-0929	-1089
I X 10	-0130	-0770	-0930	-1090
I X 11	-0131	-0771	-0931	-1091
I X 12	-0132	-0772	-0932	-1092
I X 13	-0133	-0773	-0933	-1093
I X 14	-0134	-0774	-0934	-1094
I X 15	-0135	-0775	-0935	-1095
I X 16	-0136	-0776	-0936	-1096
I X 17	-0137	-0777	-0937	-1097
I X 18	-0138	-0778	-0938	-1098
I X 19	-0139	-0779	-0939	-1099
I X 20	-0140	-0780	-0940	-1100
I X 21	-0141	-0781	-0941	-1101
I X 22	-0142	-0782	-0942	-1102
I X 23	-0143	-0783	-0943	-1103
I X 24	-0144	-0784	-0944	-1104
I X 25	-0145	-0785	-0945	-1105
I X 26	-0146	-0786	-0946	-1106
I X 27	-0147	-0787	-0947	-1107
I X 28	-0148	-0788	-0948	-1108
I X 29	-0149	-0789	-0949	-1109
I X 30	-0150	-0790	-0950	-1110
I X 31	-0151	-0791	-0951	-1111
I X 32	-0152	-0792	-0952	-1112
I X 33	-0153	-0793	-0953	-1113
I X 34	-0154	-0794	-0954	-1114
I X 35	-0155	-0795	-0955	-1115
I X 36	-0156	-0796	-0956	-1116
I X 37	-0157	-0797	-0957	-1117
I X 38	-0158	-0798	-0958	-1118
I X 39	-0159	-0799	-0959	-1119
I X 40	90121-0160	90121-0800	90121-0960	90121-1120

DIM C (+0.20) ±.008 (6.75) .266

DIM D (+0.25) ±.010 (2.90) .114

CHANGE DOC. NO. EC NO: S2012-0965 DRW:ATSEE 2012/07/03 CHKD:SKANG 2012/07/25 APPR:MLONG 2012/07/25	QUALITY SYMBOLS	GENERAL TOLERANCES (UNLESS SPECIFIED)	DIMENSION STYLE	SCALE	DESIGN UNITS	THIRD ANGLE PROJECTION	
	$F_A=0$ $F_G=0$ $F_P=0$	mm INCH 4 PLACES ± --- ± --- 3 PLACES ± --- ± --- 2 PLACES ± 0.20 ± --- 1 PLACE ± --- ± --- ANGULAR ± 3 °	MM ONLY	NTS	METRIC	DRAWN BY DATE DB 1987/07/16 CHECKED BY DATE DB 1987/07/16 APPROVED BY DATE MLONG 2012/02/24	TITLE C-GRID III SINGLE ROW RIGHT ANGLE HEADER
		DRAFT WHERE APPLICABLE MUST REMAIN WITHIN DIMENSIONS	SEE TABLE	DOCUMENT NO.	MOLEX INCORPORATED		SHEET NO.
			SIZE A3	SD-90121-001		2 OF 2	

THIS DRAWING CONTAINS INFORMATION THAT IS PROPRIETARY TO MOLEX INCORPORATED AND SHOULD NOT BE USED WITHOUT WRITTEN PERMISSION