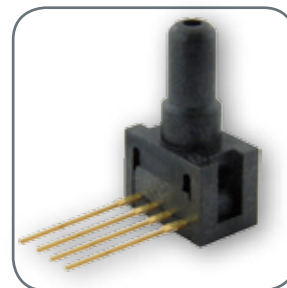




Miniature Low Pressure Sensors **24PC Series, Uncompensated/Unamplified** 0.5 psi to 250 psi



Miniature Low Pressure Sensors

The 24PC Series Miniature Pressure Sensors are small, cost-effective devices intended for use with wet or dry media. These sensors feature proven sensing technology that uses a specialized piezoresistive micromachined sensing element to offer high performance, reliability, and accuracy. Each sensor contains four active piezoresistors that form a Wheatstone bridge. When pressure is applied, the resistance changes and the sensor provides a milliVolt output signal that is proportional to the input pressure.

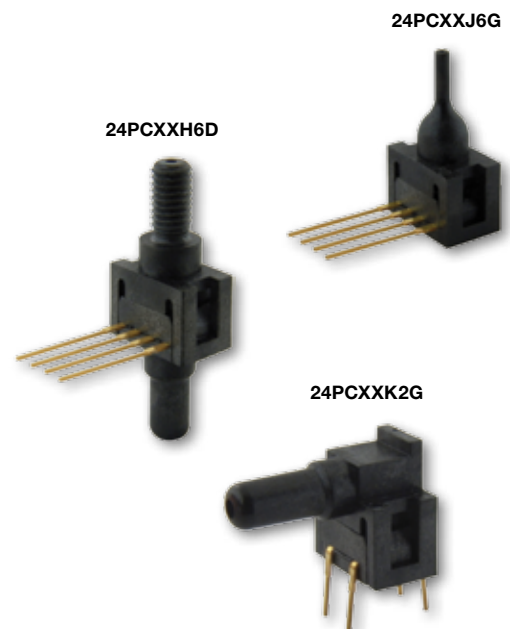
The low power 24PC sensors are designed to accommodate pressures from 0.5 psi to 250 psi and have an operating temperature range of -40 °C to 85 °C [-40 °F to 185 °F].

The 24PC sensors have the flexibility to be excited with constant current or constant voltage. When driven by constant current, the pressure sensor's terminal voltage will rise with increasing temperature. The rise in voltage not only temperature compensates the span but also provides an indication of the sensor's temperature.

These sensors can accommodate a variety of wet and dry media that are compatible with polyphthalamide (PPA) plastics and media seals specified in the Nomenclature and Order Guide (see Figure 2). The 24PC sensors are RoHS compliant. They are designed and manufactured according to ISO 9001 standards.

What makes our sensors better?

- Wet/Wet capability (i.e., liquids on both ports)
- Selectable seals available to match media used
- Higher pressure ranges for use in high pressure applications
- Wide variety of pressure port types
- Available in both SIP and DIP packages



For all available configurations, see Table 4.

One sensor does the work of two!

TRUE WET/WET DIFFERENTIAL MEDIA SENSING

Provides liquid sensing in differential applications

**WIDE OPERATING TEMPERATURE RANGE OF -40 °C TO 85 °C
[-40 °F TO 185 °F]**

Allows use in a wide variety of applications

By matching pressure ranges to the application, we optimize resolution and improve system accuracy.

VARIETY OF PRESSURE RANGES WITHIN 0.5 PSI TO 250 PSI

Provides flexibility in customers' pneumatic designs

ABSOLUTE, DIFFERENTIAL, AND GAGE MEASUREMENT TYPES

Allows customers to choose the sensor that fits their application

Gives customers greater system flexibility in their designs.

VARIETY OF PRESSURE PORT TYPES AND LEAD TERMINATIONS

Provides application flexibility

**ALSO AVAILABLE IN SMT AND FLOW-THROUGH PACKAGE
STYLES**

Provides added design flexibility

Potential Applications



MEDICAL

OXYGEN CONCENTRATORS

May be used to measure the sieve bed pressure to optimize system performance

DENTAL CHAIRS

May be used to control the pneumatic pressure in the various dental instruments

HEMODIALYSIS

May be used to monitor the correct pressure to help ensure optimum blood filtration



INDUSTRIAL

WATER CONTROL VALVES

May be used to monitor the water consumption in homes and buildings

IRRIGATION EQUIPMENT

May be used to control the water pressure and flow being delivered

FILTER MONITORING

May be used to detect when the filters are clogged and need to be replaced

PRESSURE VALVES

May be used to measure and control pressure in industrial processes



AIR COMPRESSORS

May be used to control the pressure being delivered to the end user equipment

BREATHALIZERS

May be used to measure the exhalation pressure to ensure proper breath analysis

24PC Series, Uncompensated/Unamplified

Table 1. Absolute Maximum Ratings¹

Characteristic	Min.	Typ.	Max.	Unit	Note
Supply voltage	2.5	10	12	Vdc	–
Input resistance	4	5	6	kOhm	–
Output resistance	4	5	6	kOhm	–
Time response	–	–	1	ms	2

¹Absolute maximum ratings are the extreme limits the device will withstand without damage.

²Time required for the output to increase from 10% to 90% of span in response to a step change in input pressure from the specified min. to max. operating pressure.

Table 2. Technical Specifications

Characteristic	Parameter
Operating temperature range: without EPDM seals with EPDM seals	-40 °C to 85 °C [-40 °F to 185 °F] -20 °C to 85 °C [-4 °F to 185 °F]
Storage temperature range	-55 °C to 100 °C [-67 °F to 212 °F]
Soldering terminal temperature/time	315 °C [599 °F] max./10 s max.
Vibration	10 G at 20 Hz to 2000 Hz
Shock	100 G for 11 ms
Life	1 million cycles min.

Miniature Low Pressure Sensors

Table 3. Performance Characteristics (Vcc =10.00 ±0.01 Vdc; Ta = 25 °C [77 °F])

Characteristic	Operating Pressure Range														Unit	Note
	0 psi to 0.5 psi		0 psi to 1 psi		0 psi to 5 psi		0 psi to 15 psi		0 psi to 30 psi		0 psi to 100 psi		0 psi to 250 psi			
	Typ.	Max.	Typ.	Max.	Typ.	Max.	Typ.	Max.	Typ.	Max.	Typ.	Max.	Typ.	Max.		
Span	-	35 ±10	-	45 ±15	-	115 ±30	-	225 ±60	-	330 ±90	-	225 ±69	-	212 ±68	mV	1
Null offset	-	0 ±30	-	0 ±30	-	0 ±30	-	0 ±30	-	0 ±30	-	0 ±30	-	0 ±30	mV	2
Linearity (Best Fit Straight Line, P2>P1)	±0.2	±1.0	±0.2	±1.0	±0.2	±1.0	±0.2	±1.0	±0.2	±1.0	±0.2	±1.0	±0.2	±1.0	%span	3
Null shift (0 °C to 25 °C, 25 °C to 50 °C)	±1.0	-	±1.0	-	±1.0	-	±1.0	-	±1.0	-	±1.0	-	±1.0	-	mV	4
Span shift (0 °C to 25 °C, 25 °C to 50 °C)	±5.0	-	±5.0	-	±5.0	-	±5.0	-	±5.0	-	±5.0	-	±5.0	-	%span	5
Repeatability and hysteresis	±0.5	-	±0.5	-	±0.5	-	±0.5	-	±0.5	-	±0.5	-	±0.5	-	mV	6
Overpressure	-	20	-	20	-	20	-	45	-	60	-	200	-	250	psi	7

¹Span is the algebraic difference between the output signal measured at the upper and lower limits of the operating pressure range, where Port 2 (P2)>Port 1 (P1).

²The output signal obtained when zero pressure is applied to all available ports.

³The maximum deviation of product output from a straight line fitted to the output measured over the specified operating pressure range, calculated according to BFSL. The straight line is fitted along a set of points that minimizes the sum of the square of the deviations of each of the points (“least-squares” method).

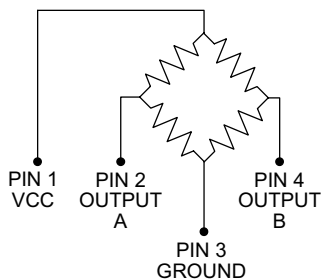
⁴The maximum deviation in offset due to changes in temperature over the compensated temperature range, relative to offset measured at a reference temperature of 25 °C.

⁵The maximum deviation in span due to changes in temperature over the compensated temperature range, relative to full-scale span measured at a reference temperature of 25 °C.

⁶Repeatability is the maximum difference between the output readings when the same pressure is applied consecutively, under the same operating conditions, with pressure approaching from the same direction within the specified operating pressure range. Hysteresis is the maximum difference between output readings when the same pressure is applied consecutively, under the same operating conditions, with pressure approaching from opposite directions within the specified operating pressure range.

⁷Overpressure is the maximum pressure that may safely be applied to the product for it to remain in specification once pressure is returned to the operating pressure range. Exposure to higher pressures may cause permanent damage to the product. Unless otherwise specified, this applies to all available pressure ports at any temperature within the operating temperature range.

Figure 1. Circuit Diagram



Output “A” increases as P2 pressure increases.

Output “B” decreases as P2 pressure increases.

Symbol	Description
Vcc	supply
OUTPUT A	bridge positive output
GROUND	ground
OUTPUT B	bridge negative output

24PC Series, Uncompensated/Unamplified

Figure 2. Nomenclature and Order Guide^{1,4}

For example, a **24PCBEJ6G** catalog listing defines a 24PC Series Miniature Low Pressure Sensor, Uncompensated/Unamplified, 5 psi pressure range, EPDM seal material, needle pressure port type, 1 x 4 SIP, 15,2 mm [0.60 in] long termination configuration, with normal polarity output and gage pressure measurement type.

24PC Product Series	B Pressure Range	E Seal Material	J Pressure Port Type	2G Termination Configuration, Output, Pressure Measurement Type
24PC Series Miniature Low Pressure Sensors, Uncompensated/ Unamplified	A 1 psi	F fluorosilicone	A Straight	6A 1 x 4 SIP, 15,2 mm [0.60 in] long, normal polarity, absolute ³
	B 5 psi	E EPDM	B Barbed	6D 1 x 4 SIP, 15,2 mm [0.60 in] long, normal polarity, differential
	C 15 psi	N neoprene ²	C Luer	6G 1 x 4 SIP, 15,2 mm [0.60 in] long, normal polarity, gage
	D 30 psi	S silicone	D Modular	1G 1 x 4 SIP, 10,2 mm [0.40 in] long, normal polarity, gage
	E 0.5 psi		H M5 thread port	2G 2 x 2 DIP, normal polarity, gage
	F 100 psi		I 90° (opposite Pin 1)	
	G 250 psi		J Needle	
			K 90° (toward Pin 1)	
			M 1/4-28 thread	
			S Manifold mount	
			T Long barbed	

¹Every combination may not be possible. Contact customer service.



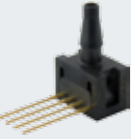




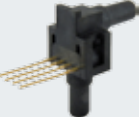
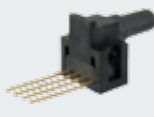


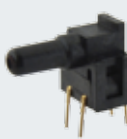



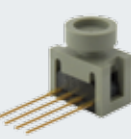
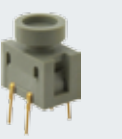


²Available in 0.5 psi, 1 psi, 5 psi and 15 psi pressure ranges only.

³Absolute pressure sensors require pressure port types A or D.

⁴Various wire harnesses with end connector options are available. Contact customer service.

Miniature Low Pressure Sensors

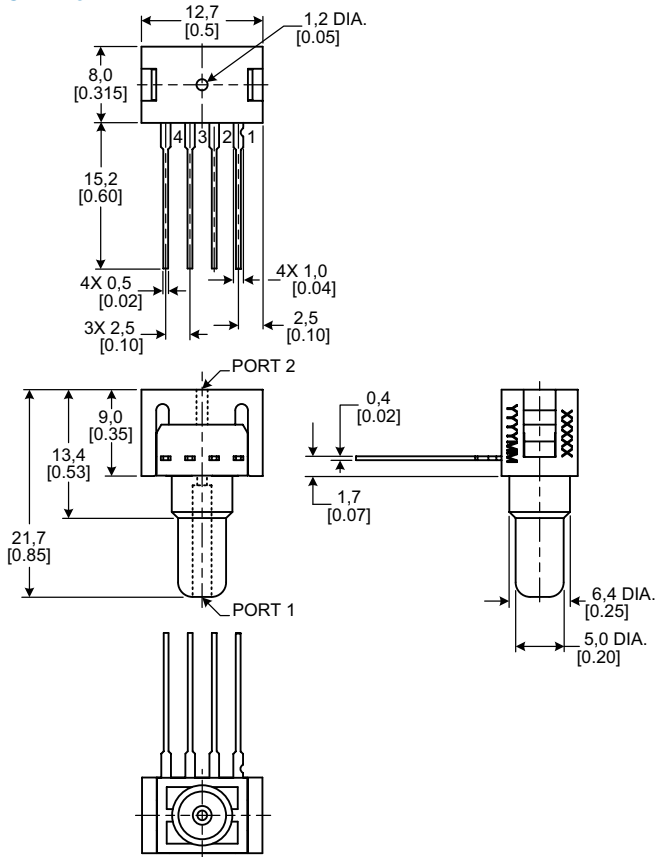
Table 4. All Available Standard Configurations (See Figure 2)

		Termination Configuration, Output, Pressure Measurement Type				
		6A	6D	6G	1G	2G
Pressure Port Type	A Straight				N/A	
	B Barbed	N/A				
	C Luer	N/A				
	D Modular				N/A	
	H M5 Thread	N/A				
	I 90° (Opposite Pin 1)	N/A			N/A	N/A
	J Needle	N/A			N/A	
	K 90° (Toward Pin 1)	N/A			N/A	
	M 1/4-28 Thread	N/A				
	S Manifold Mount	N/A				
	T Long Barbed	N/A			N/A	

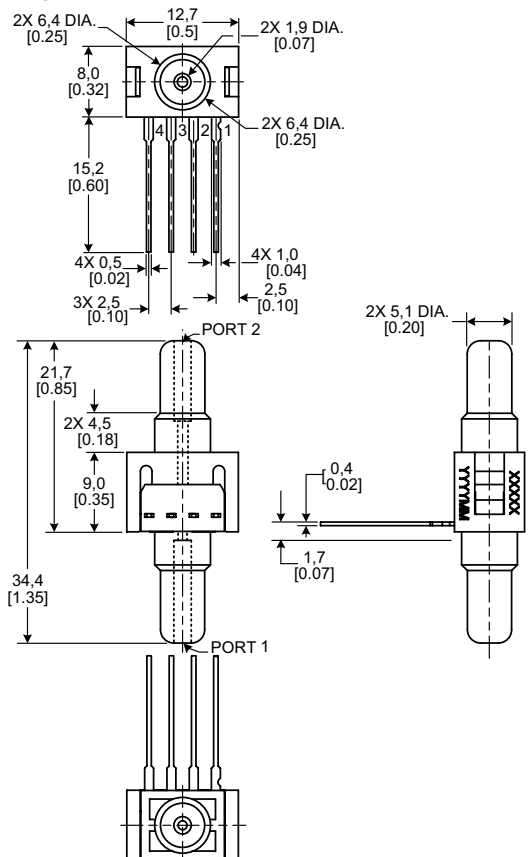
24PC Series, Uncompensated/Unamplified

Figure 3. Mounting Dimensions (For Reference Only: mm/[in.])

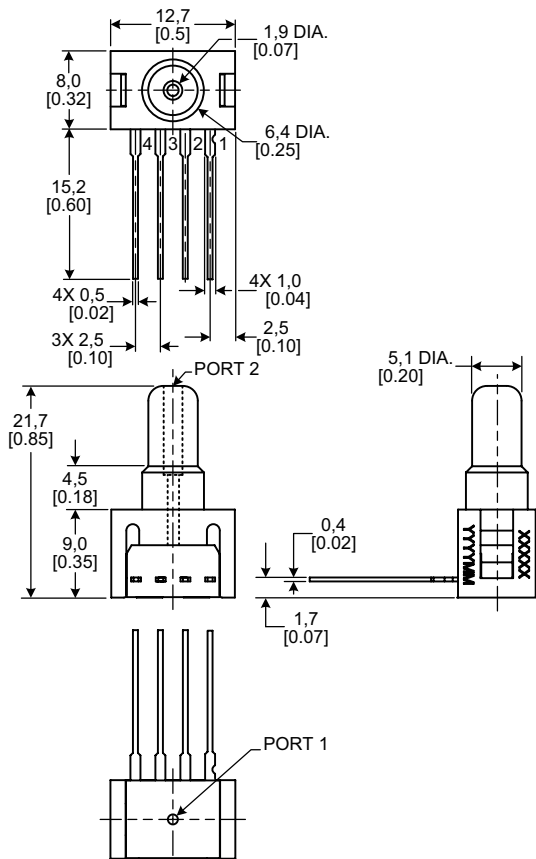
24PCXXA6A



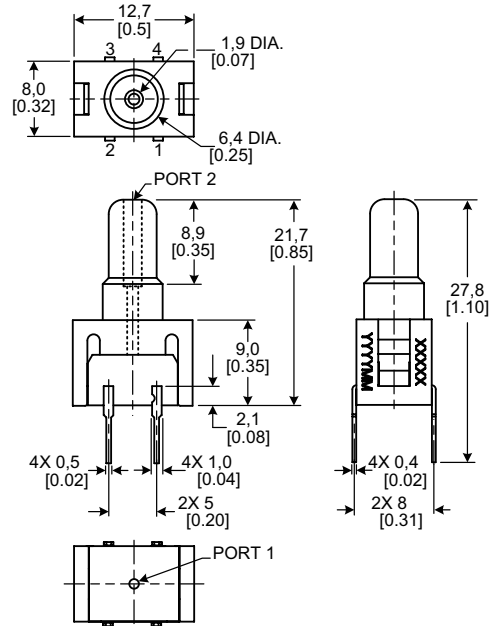
24PCXXA6D



24PCXXA6G



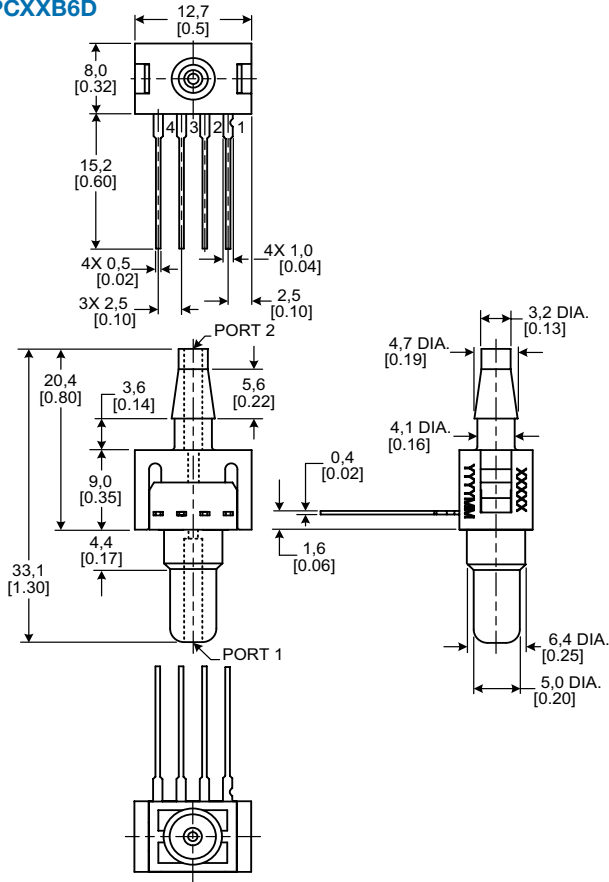
24PCXXA2G



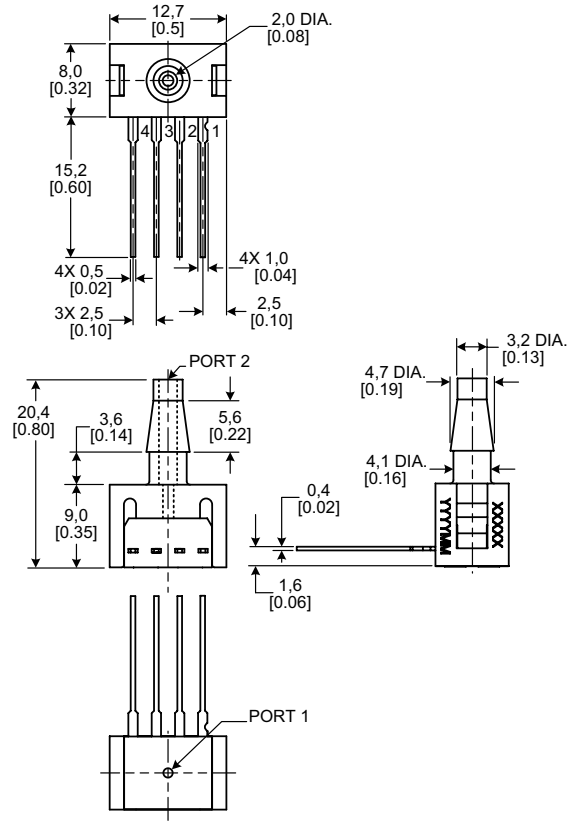
Miniature Low Pressure Sensors

Figure 3. Mounting Dimensions (continued)

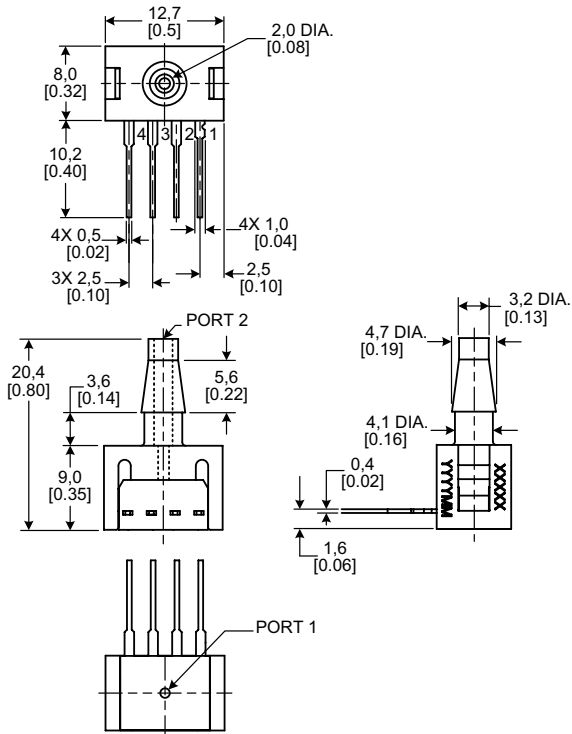
24PCXXB6D



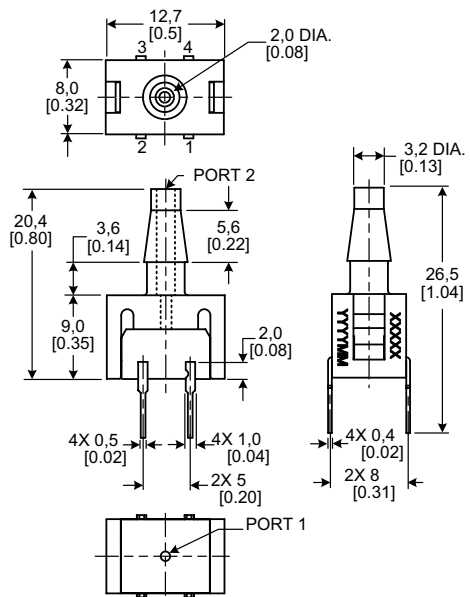
24PCXXB6G



24PCXXB1G



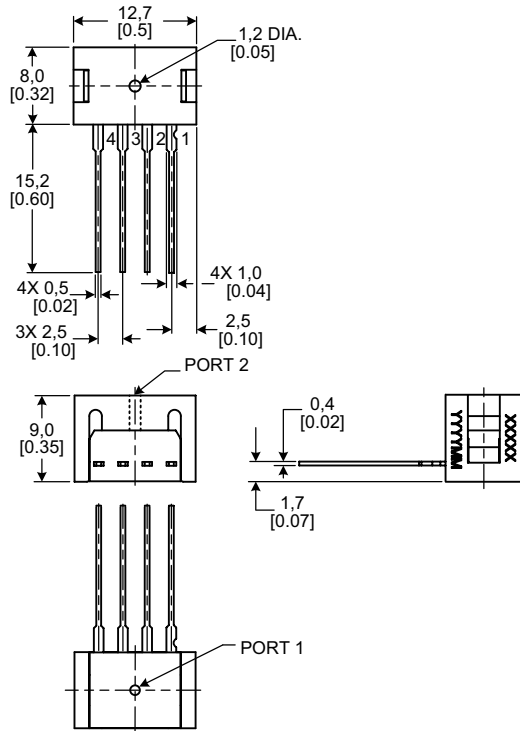
24PCXXB2G



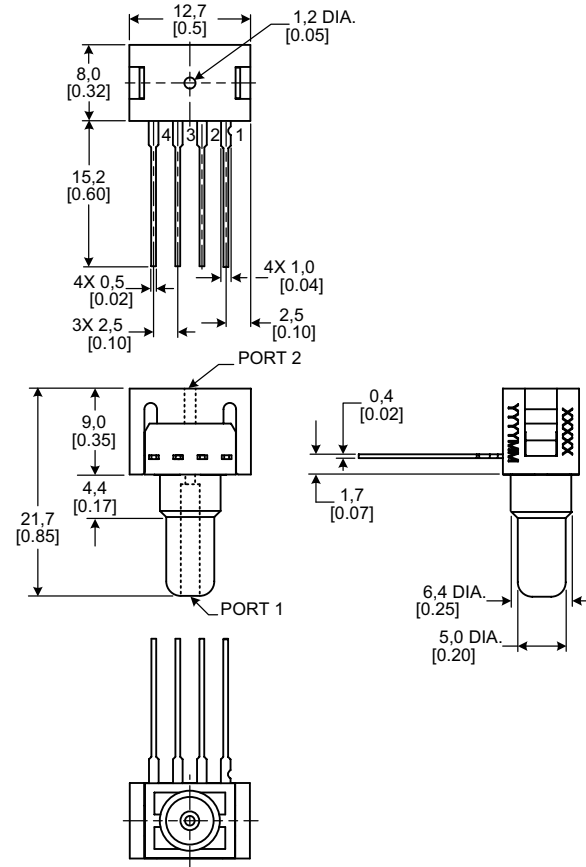
Miniature Low Pressure Sensors

Figure 3. Mounting Dimensions (continued)

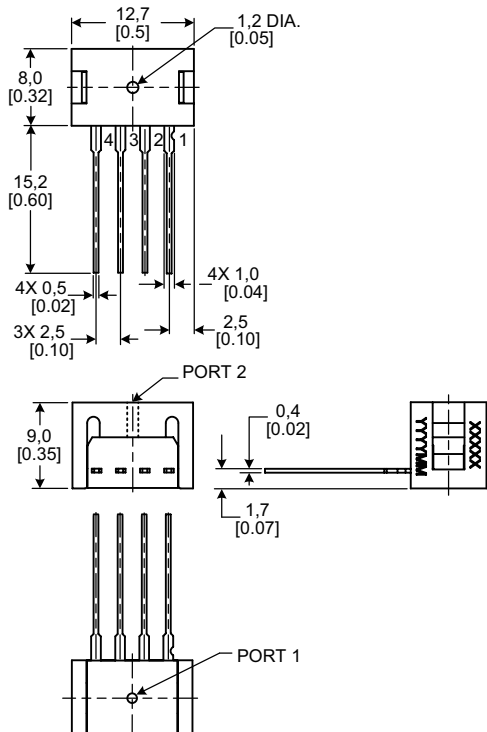
24PCXXD6A



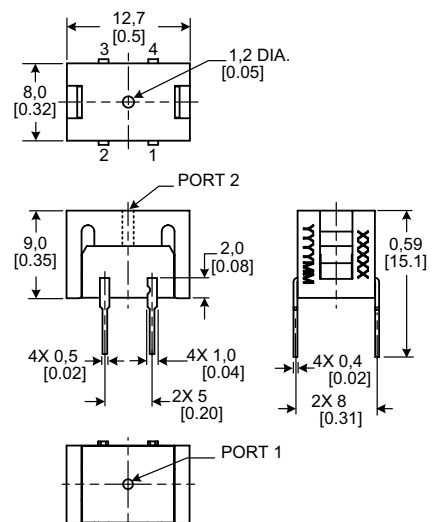
24PCXXD6D



24PCXXD6G



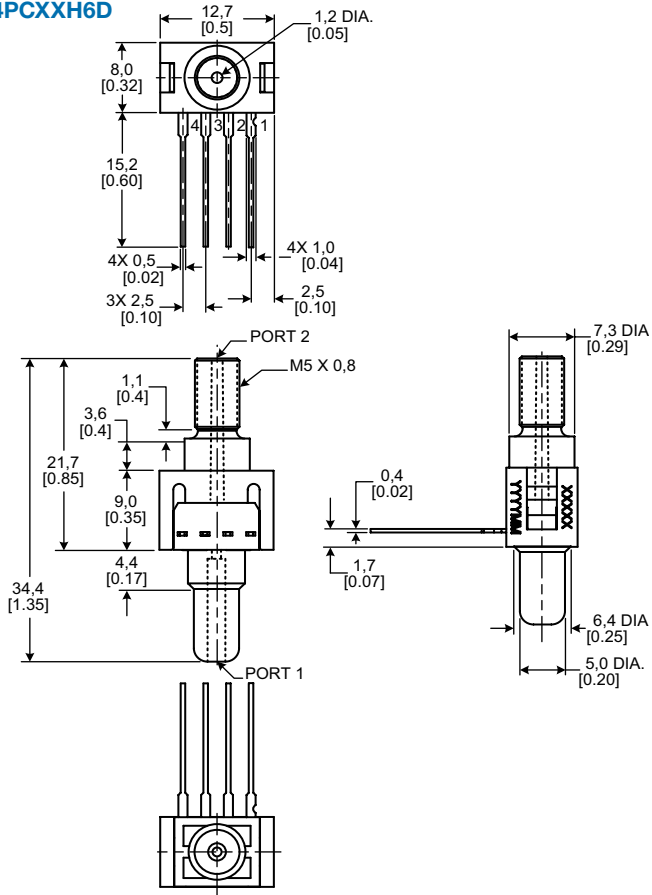
24PCXXD2G



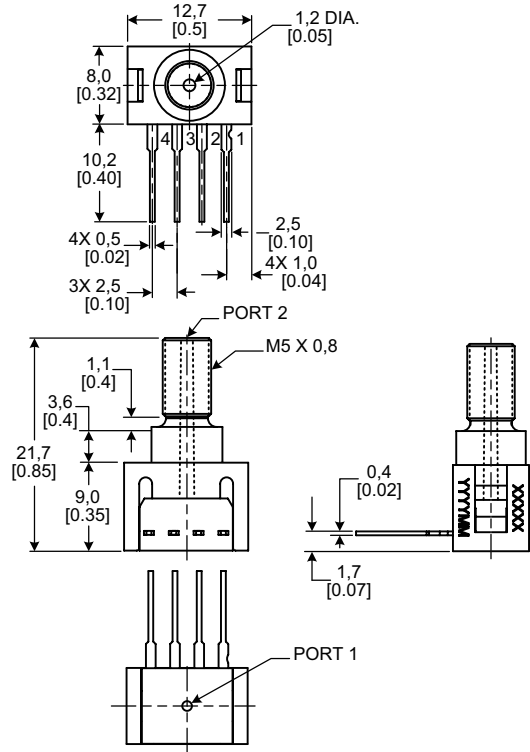
24PC Series, Uncompensated/Unamplified

Figure 3. Mounting Dimensions (continued)

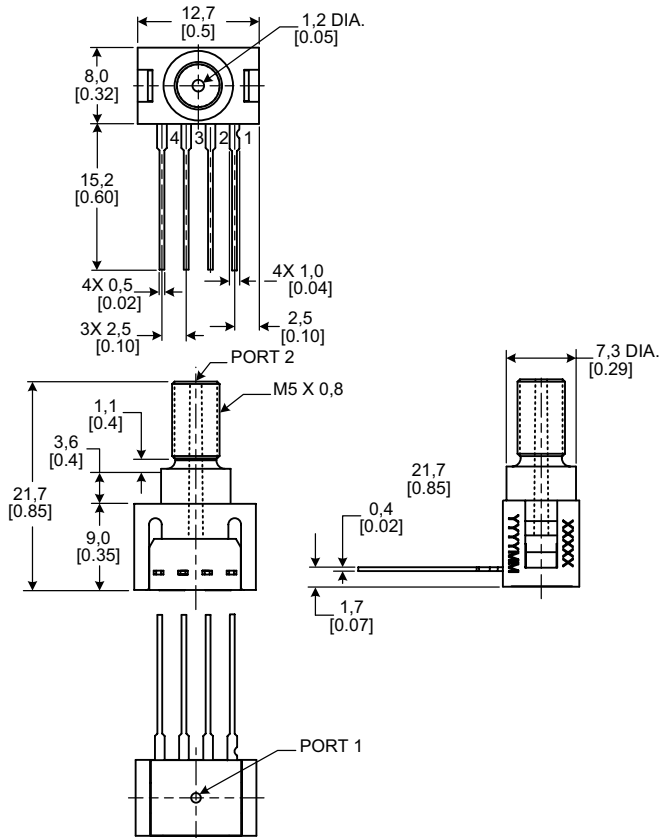
24PCXXH6D



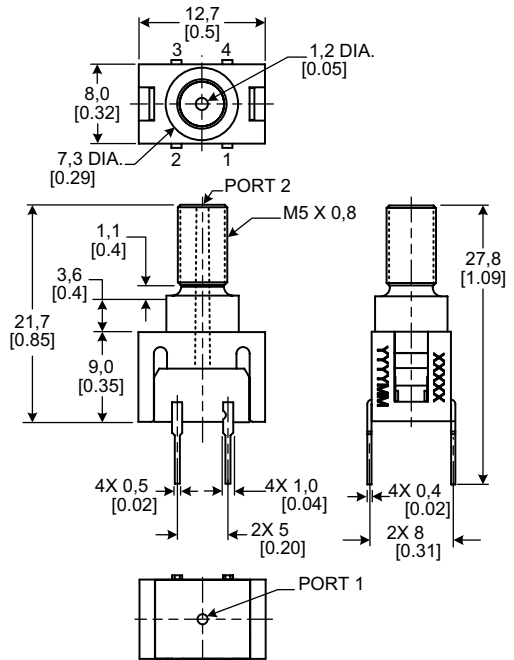
24PCXXH6G



24PCXXH1G



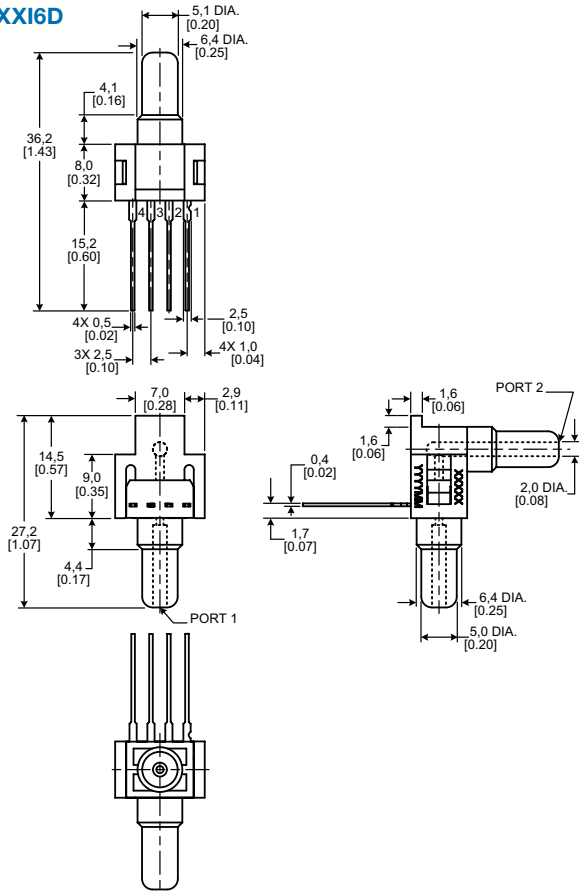
24PCXXH2G



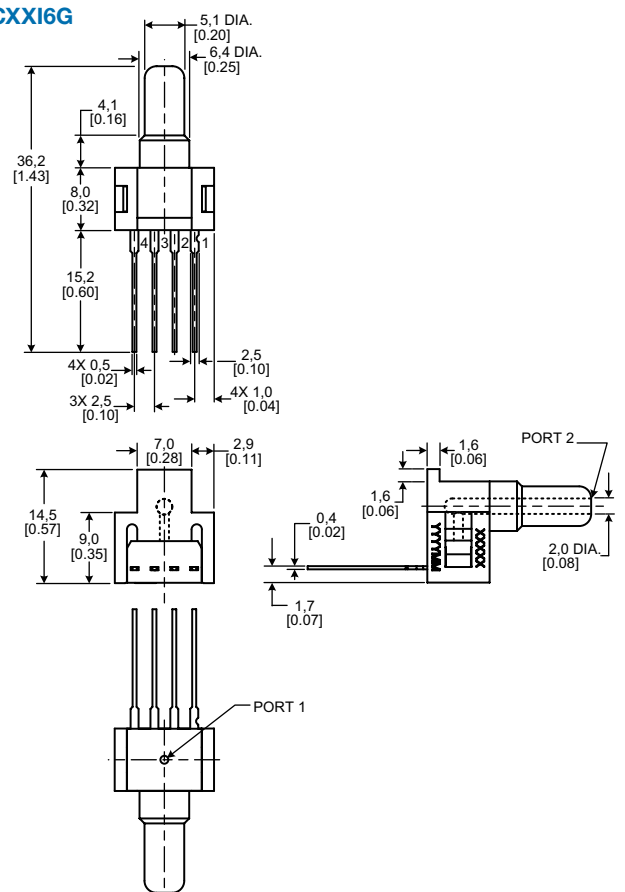
Miniature Low Pressure Sensors

Figure 3. Mounting Dimensions (continued)

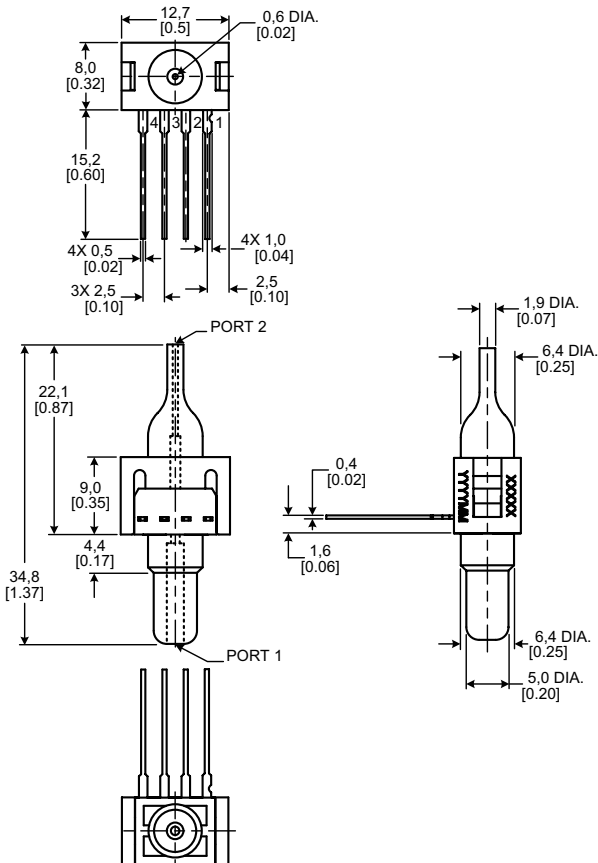
24PCXXI6D



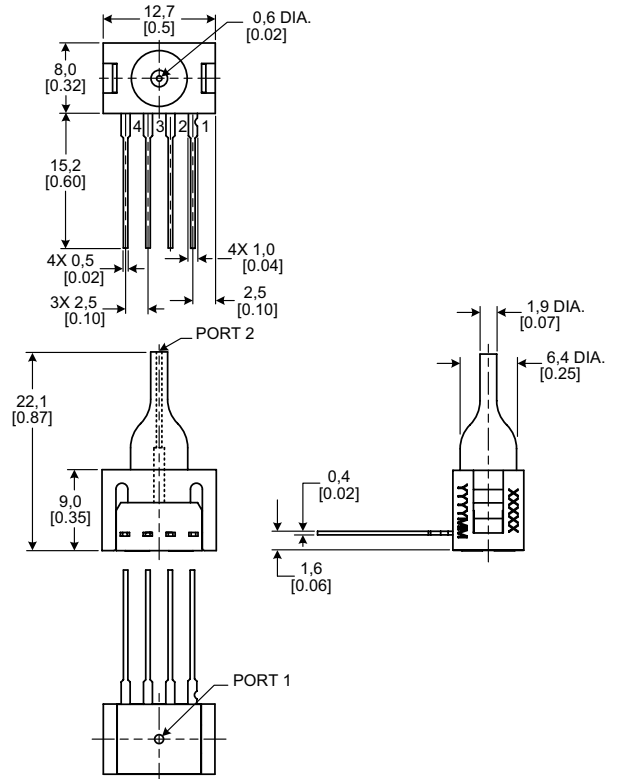
24PCXXI6G



24PCXXJ6D



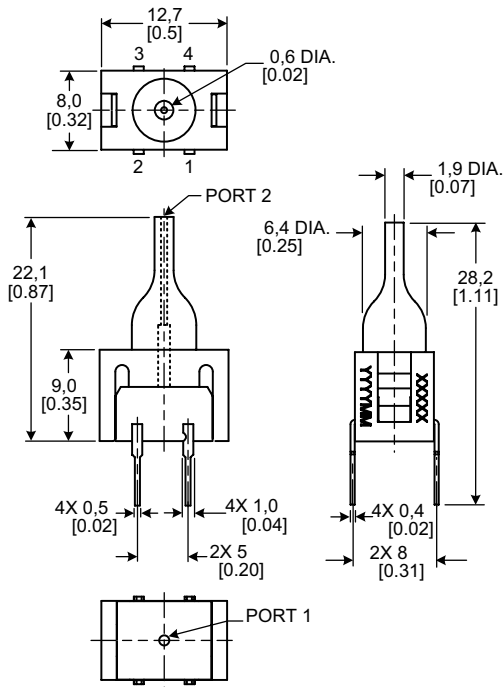
24PCXXJ6G



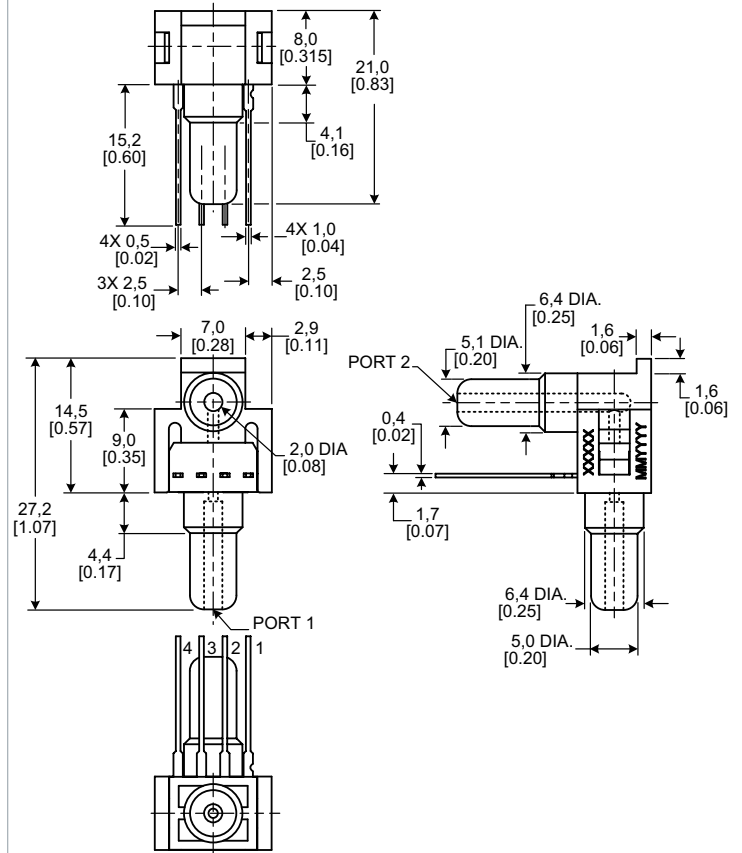
24PC Series, Uncompensated/Unamplified

Figure 3. Mounting Dimensions (continued)

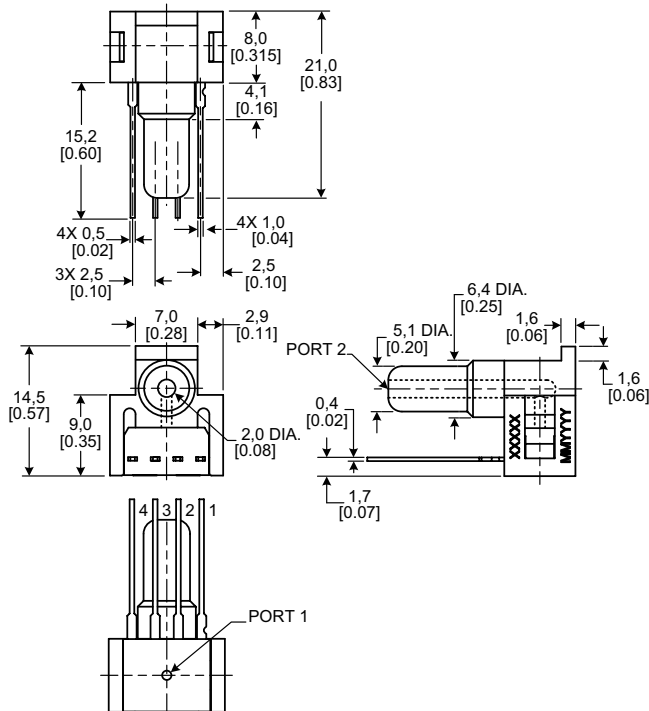
24PCXXJ2G



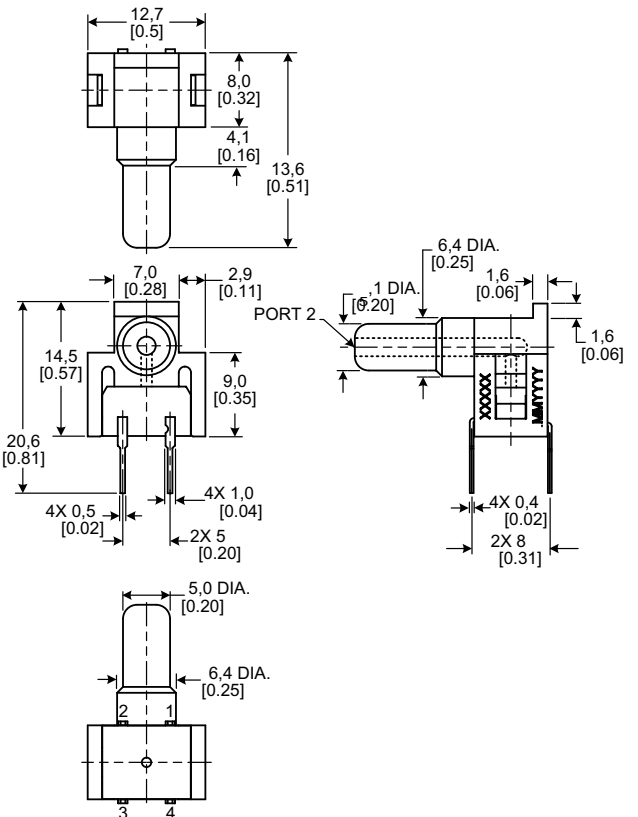
24PCXXK6D



24PCXXK6G



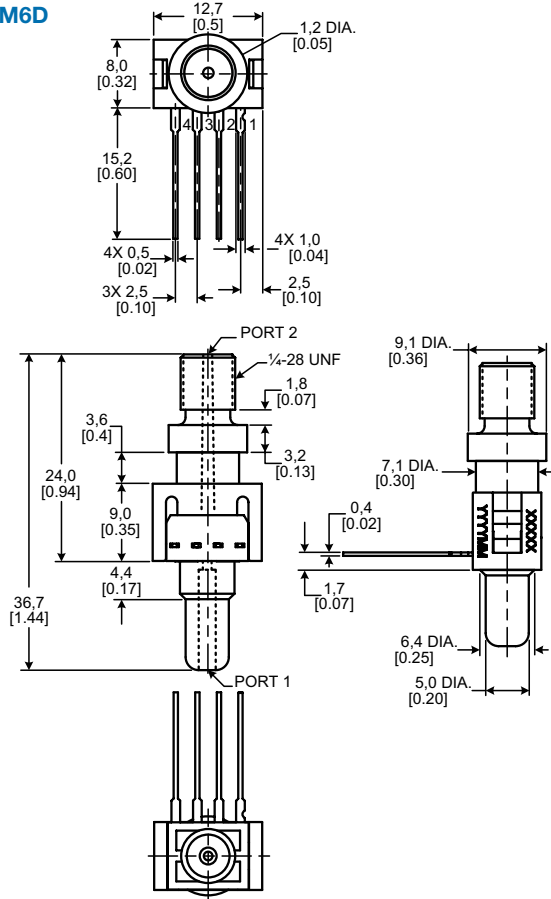
24PCXXK2G



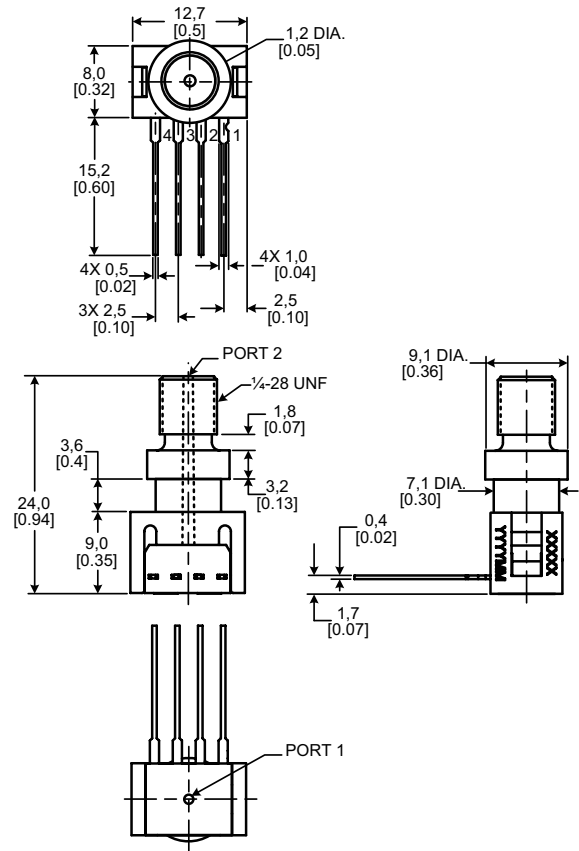
Miniature Low Pressure Sensors

Figure 3. Mounting Dimensions (continued)

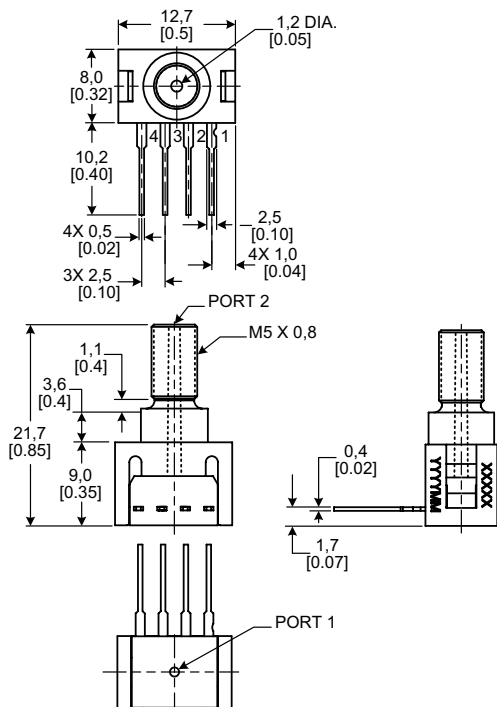
24PCXM6D



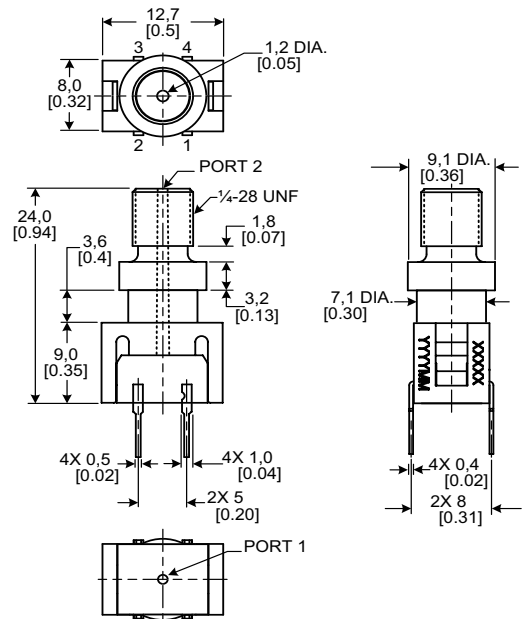
24PCXM6G



24PCXM1G



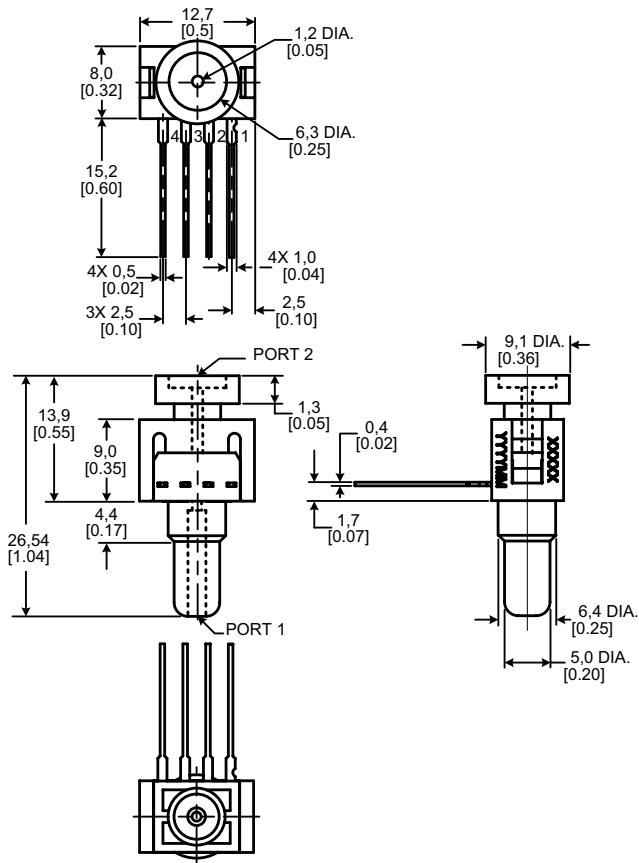
24PCXM2G



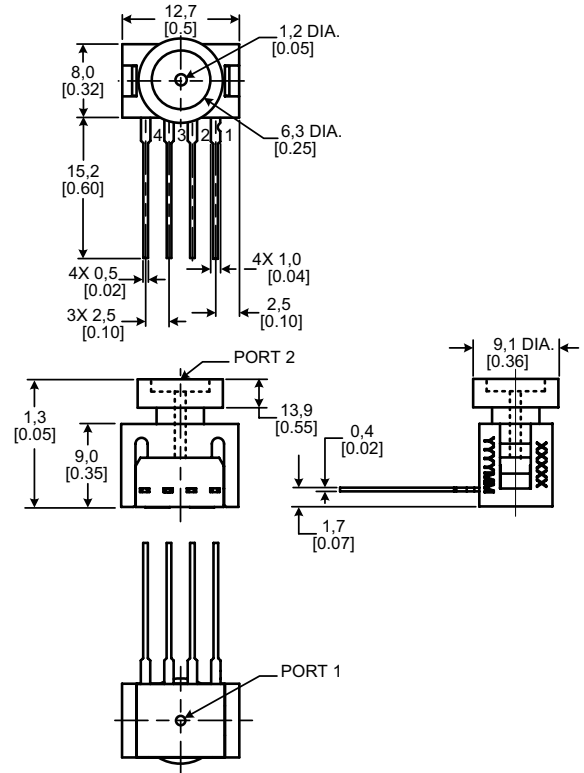
24PC Series, Uncompensated/Unamplified

Figure 3. Mounting Dimensions (continued)

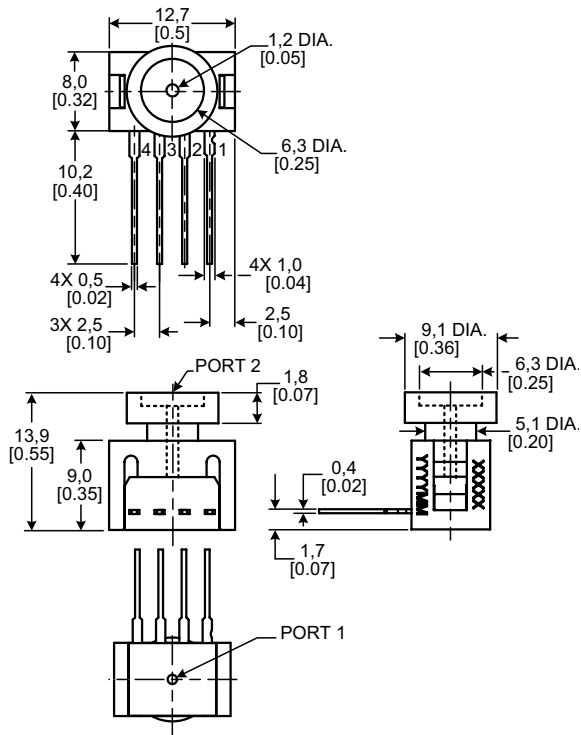
24PCXX6SD



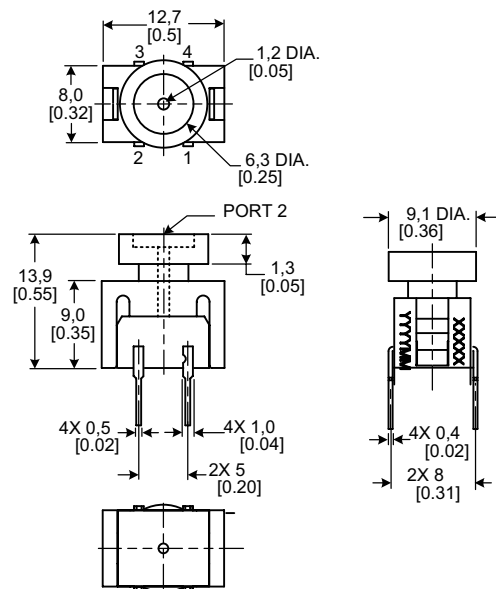
24PCXS6G



24PCXS1G



24PCXS2G



ADDITIONAL INFORMATION

The following associated literature is available at sensing.honeywell.com:

- Product Line Guide
- Product Range Guide
- Product Installation Instructions
- Application-Specific Information
- Technical Notes

Find out more

Honeywell serves its customers through a worldwide network of sales offices, representatives and distributors. For application assistance, current specifications, pricing or name of the nearest Authorized Distributor, contact your local sales office.

To learn more about Honeywell's sensing and control products, call **+1-815-235-6847** or **1-800-537-6945**, visit **sensing.honeywell.com**, or e-mail inquiries to **info.sc@honeywell.com**

Sensing and Control
Honeywell
1985 Douglas Drive North
Golden Valley, MN 55422
honeywell.com

⚠ WARNING

PERSONAL INJURY

DO NOT USE these products as safety or emergency stop devices or in any other application where failure of the product could result in personal injury.

Failure to comply with these instructions could result in death or serious injury.

⚠ WARNING

MISUSE OF DOCUMENTATION

- The information presented in this product sheet is for reference only. Do not use this document as a product installation guide.
- Complete installation, operation, and maintenance information is provided in the instructions supplied with each product.

Failure to comply with these instructions could result in death or serious injury.

WARRANTY/REMEDY

Honeywell warrants goods of its manufacture as being free of defective materials and faulty workmanship. Honeywell's standard product warranty applies unless agreed to otherwise by Honeywell in writing; please refer to your order acknowledgement or consult your local sales office for specific warranty details. If warranted goods are returned to Honeywell during the period of coverage, Honeywell will repair or replace, at its option, without charge those items it finds defective. **The foregoing is buyer's sole remedy and is in lieu of all other warranties, expressed or implied, including those of merchantability and fitness for a particular purpose. In no event shall Honeywell be liable for consequential, special, or indirect damages.**

While we provide application assistance personally, through our literature and the Honeywell website, it is up to the customer to determine the suitability of the product in the application.

Specifications may change without notice. The information we supply is believed to be accurate and reliable as of this printing. However, we assume no responsibility for its use.